

## Tea-for-Two® | K-852-GHCP

60" x 32" drop-in Heated BubbleMassage™ air bath

### Features

- 44 airjets release thousands of heated bubbles that surround, support, and massage the body
- Variable-speed blower lets you adjust massage intensity to 18 levels
- Automatic and manual purge cycles remove residual water from air channels after use
- Lighted keypad control
- 60-minute automatic shutoff timer
- Safeguard® slip-resistant surface provides excellent traction underfoot
- Integral lumbar support



### Sustainability



### Available Colors/Finishes

*Color tiles intended for reference only.*

- 0 White
- 96 Biscuit
- 47 Almond
- NY Dune
- 7 Black Black



## Codes/Standards

ASME A112.19.1/CSA B45.2  
ASME A112.19.7/CSA B45.10  
ASTM F462  
UL 1795  
CSA C22.2 No. 218.2  
cUL Listed  
UL Listed

## Technical Information

*All product dimensions are nominal.*

Drain Location:	Reversible
Drain Hole Diameter:	2-1/4" (57 mm)
Minimum Flat for Door:	1-7/16" (37 mm)
Basin Area, Bottom:	40-1/2" x 20" (1029 mm x 508 mm)
Basin Area, Top:	52-3/4" x 24" (1340 mm x 610 mm)
Water Depth:	13-5/8" (346 mm)
Water Capacity:	60 gal (227.1 L)
Minimum Floor Load:	60 lbs/ft <sup>2</sup>
Weight:	350 lbs (158.8 kg)
Cutout:	Drop-in, 58-1/2" x 30-1/2" (1486 mm x 775 mm)

## Material

- KOHLER® enameled cast iron

## Recommended Products/Accessories

K-1491 Bath/whirlpool pillow, removable  
K-1601 Bath/whirlpool footstop, removable  
K-586 Undermount kit for select 60" Tea-for-Two bath and whirlpool bath models  
K-1179 Tiling-in bead, 180" length  
K-1172 Adjustable feet for use on Vintage®, Maestro™ and Tea-for-Two® 5' baths

## Required Products/Accessories

- K-23857 Bath drain trim
- or
- K-78440 33" cable pop-up bath drain

## Technology

- Heated BubbleMassage™ technology warms and humidifies air before it enters the bath

## Required Electrical Service

Two dedicated circuits required, protected with Class A Ground-Fault Circuit-Interrupter (GFCI). Outside North America, this device may be known as a Residual Current Device (RCD).

Blower, Air bath:	120 V, 15 A, 60 Hz
Air bath:	120 V, 15 A, 60 Hz

## Electrical Component Ratings

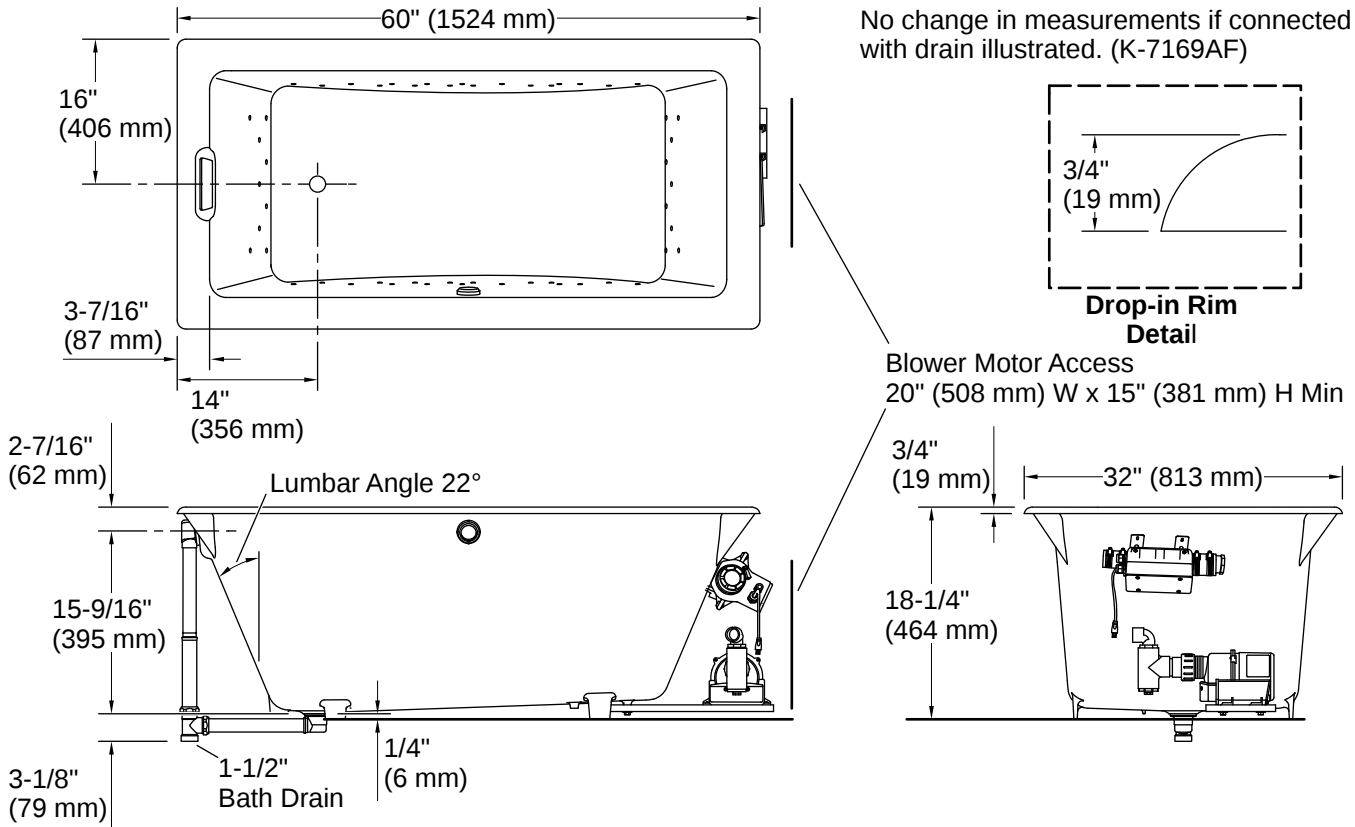
Blower:	120 V, 10 A
Air bath:	120 V, 0.5 A, 60 Hz
Air bath:	120 V, 5 A, 60 Hz

## Warranty

*See website for detailed warranty information.*

KOHLER® Enameled Cast Iron Bath and Shower Base Lifetime Limited Warranty





## Installation

- Drop-in or undermount
- Reversible drain
- Requires two 120V dedicated circuits
- Requires cable pop-up bath drain and bath drain trim (sold separately)

## Installation Notes

*Install this product according to the installation instructions.*

Measure your actual product for rough-in details.

The hot water supply should be 70% of the capacity of the bath or greater. Installations will vary.

