
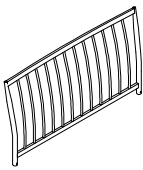
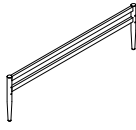
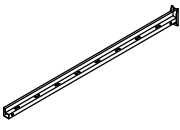
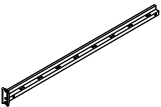
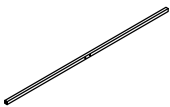
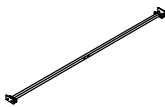
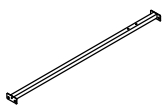
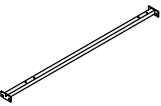


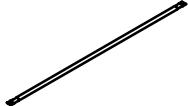
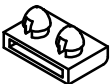





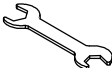
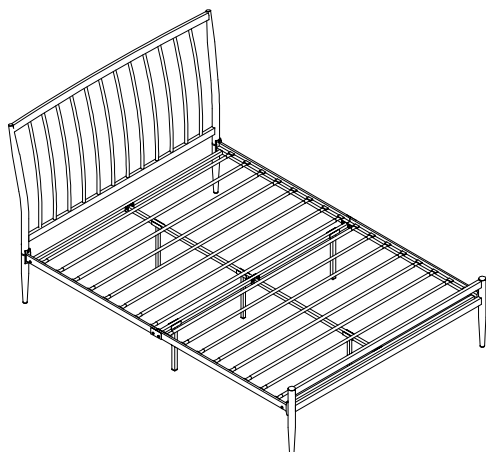


ASSEMBLY INSTRUCTION

FULL BED

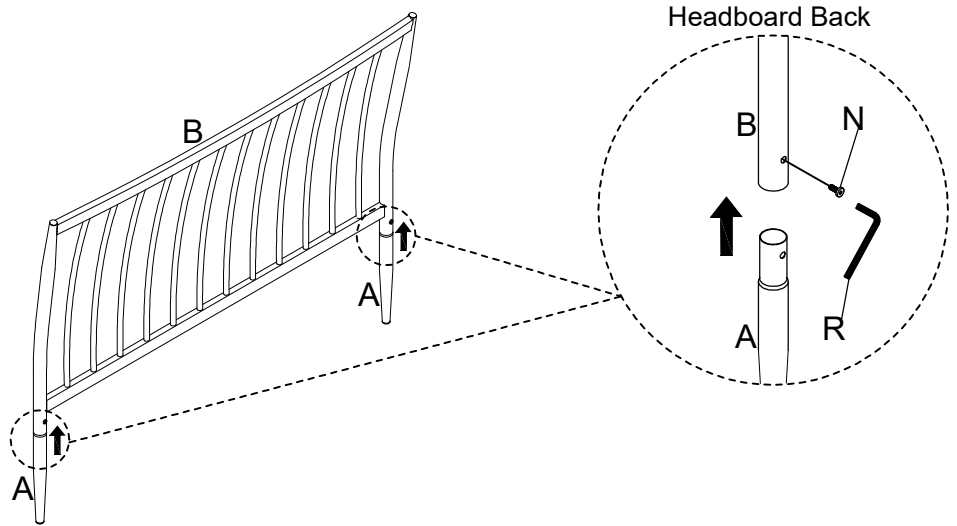
A Headboard Leg 2PCS 	B Headboard 1PC 	C Footboard 1PC 	D Front Rail Section 2PCS 
E Rear Rail Section 2PCS 	F Front / Rear Support Bar 2PCS 	G Center Support Bar 1PC 	H Front Center Rail 1PC 
I Rear Center Rail 1PC 	J Rail Support Leg 2PCS 	K Center Support Leg 1PC 	L Slat 16PCS 
M Slat Connector 32PCS 	N Bolt 1/4"*16mm 28PCS 	O Bolt 1/4"*46mm 8PCS 	P Bolt 1/4"*36mm 2PCS 
Q Nut 1/4" 6PCS 	R L-Allen Key 4mm 1PC 	S Wrench 5/16" - 1/4" 1PC 	



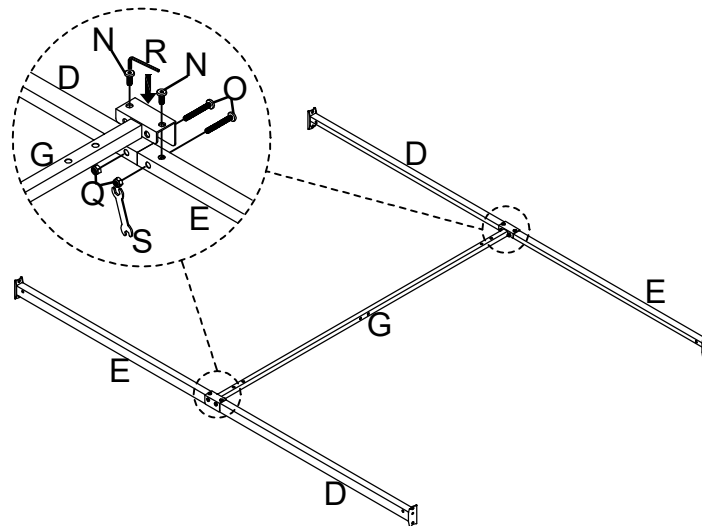
This page lists all the contents included in the box. Please take the time to identify the hardware as well as the individual components to this product. As you unpack and prepare for assembly, place the contents on a carpeted or padded area to protect them from damage.

1

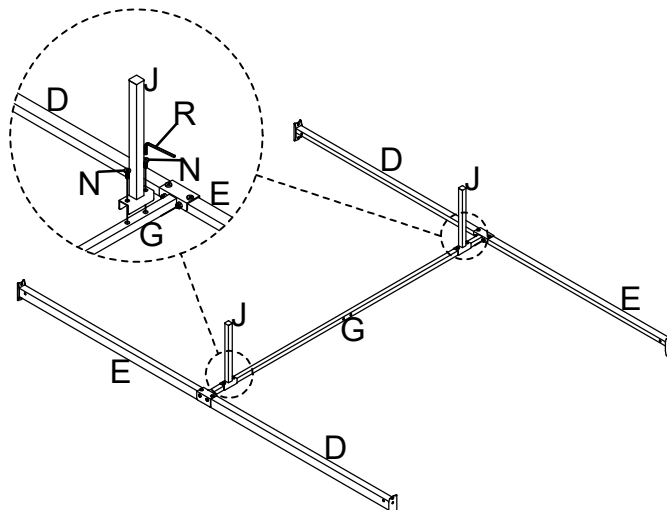
Attach the Headboard Leg (A) to the Headboard (B), insert the Bolt (N), turn the L-Allen Key (R) to tighten them.

**2**

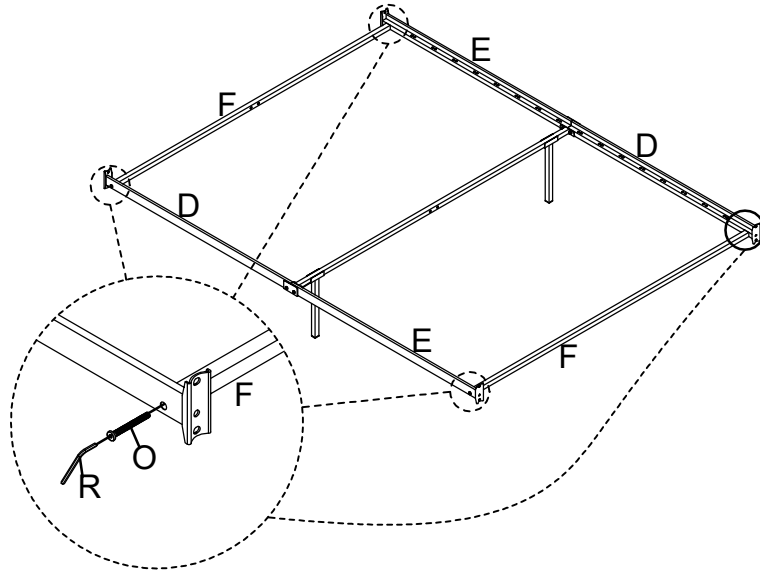
Attach the Front Rail Section (D), Rear Rail Section (E) and Center Support Bar (G), insert the Bolt (N), Bolt (O) and Nut (Q), turn the L-Allen Key (R) and Wrench (S) to tighten them.

**3**

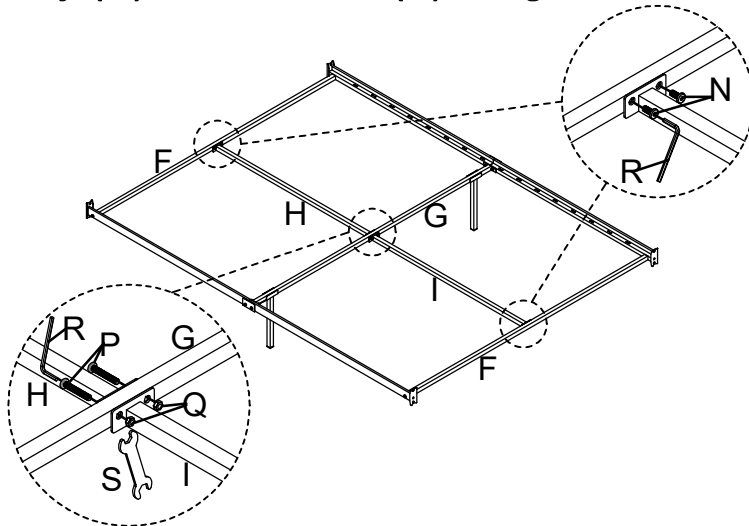
Attach the Rail Support Leg (J) to Center Support Bar (G), and then insert the Bolt (N), turn the L-Allen Key (R) to tighten them.



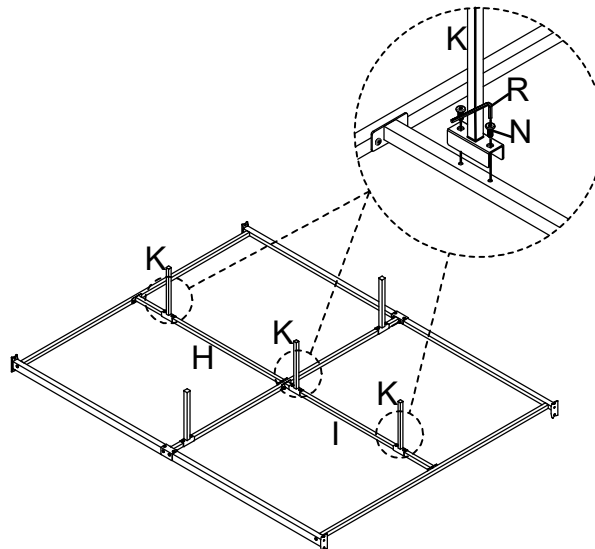
4 Attach the Front / Rear Support Bar (F) to rails, insert the Bolt (O), turn the L-Allen Key (R) to tighten them.



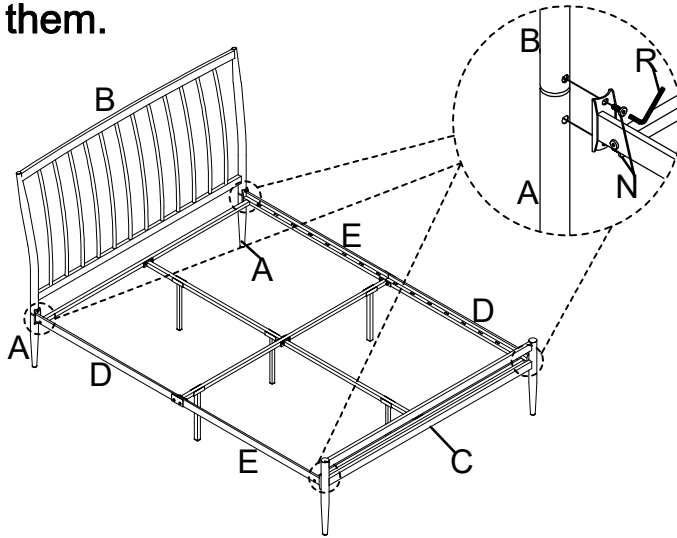
5 Attach the Front Center Rail (H) and Rear Center Rail (I) to the Front / Rear Support Bar (F) and Center Support Bar (G), insert the Bolt (N), turn the L-Allen Key (R) to tighten them. Insert the Bolt (P) and Nut (Q), turn the L-Allen Key (R) and Wrench (S) to tighten them.



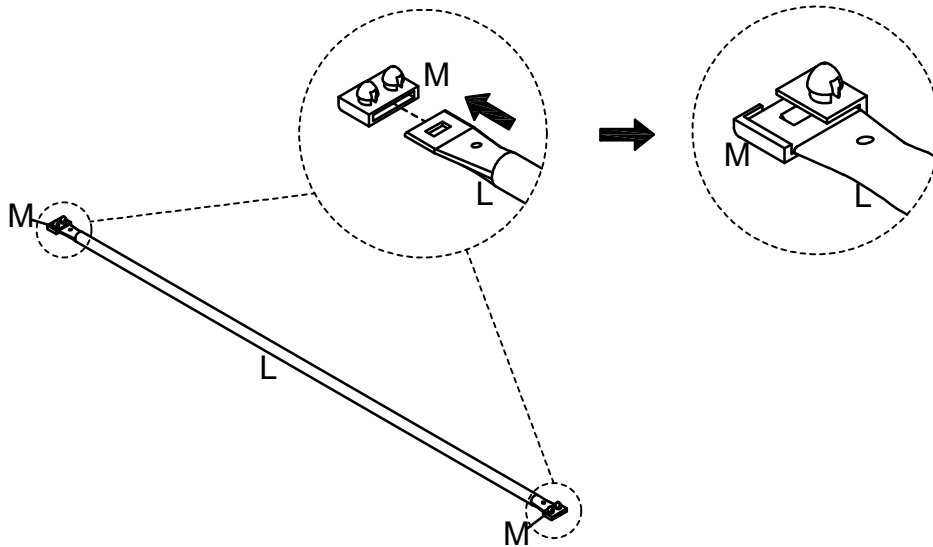
6 Attach the Center Support Leg (K) to the center rails, insert the Bolt (N), turn the L-Allen Key (R) to tighten them.



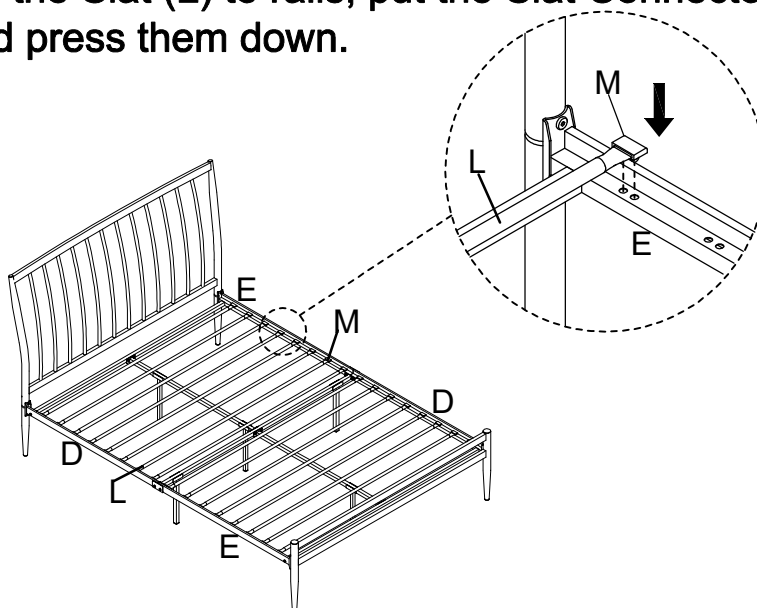
7 Attach the assembled metal frame to the Headboard Leg (A), Headboard (B) and Footboard (C), insert the Bolt (N), turn the L-Allen Key (R) to tighten them.



8 Insert the Slat Connector (M) to the both sides of Slat (L), press the Slat (L) into the correct place.



9 Attached the Slat (L) to rails, put the Slat Connectors (M) into the correct place and press them down.



Cleaning & Care

Treat surface with care. Surface is resistant to scratches but is not scratch resistant. Clean surfaces with a dry or damp soft cloth. Do not use abrasive cleaners. Hardware may loosen over time. Periodically check that all connections are tight.