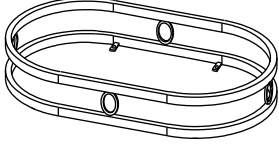
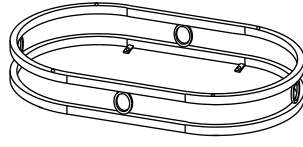
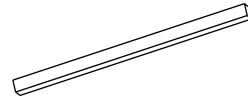
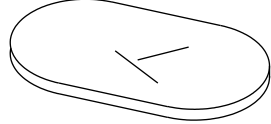
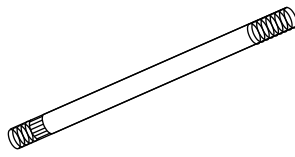

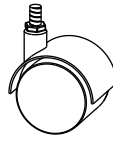
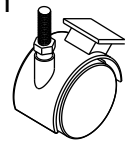

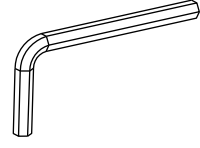
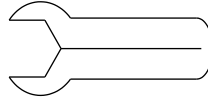
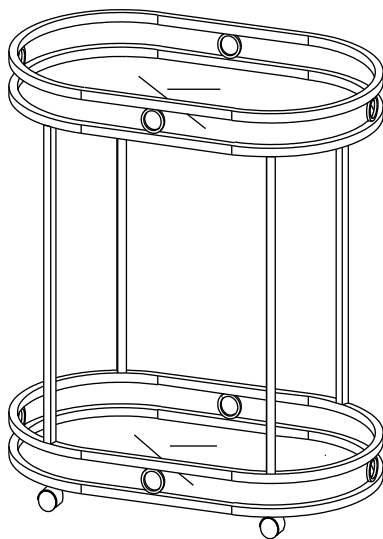


ASSEMBLY INSTRUCTION

E632-07 OVAL BAR CART WITH MIRROR BOTTOM AND TOP

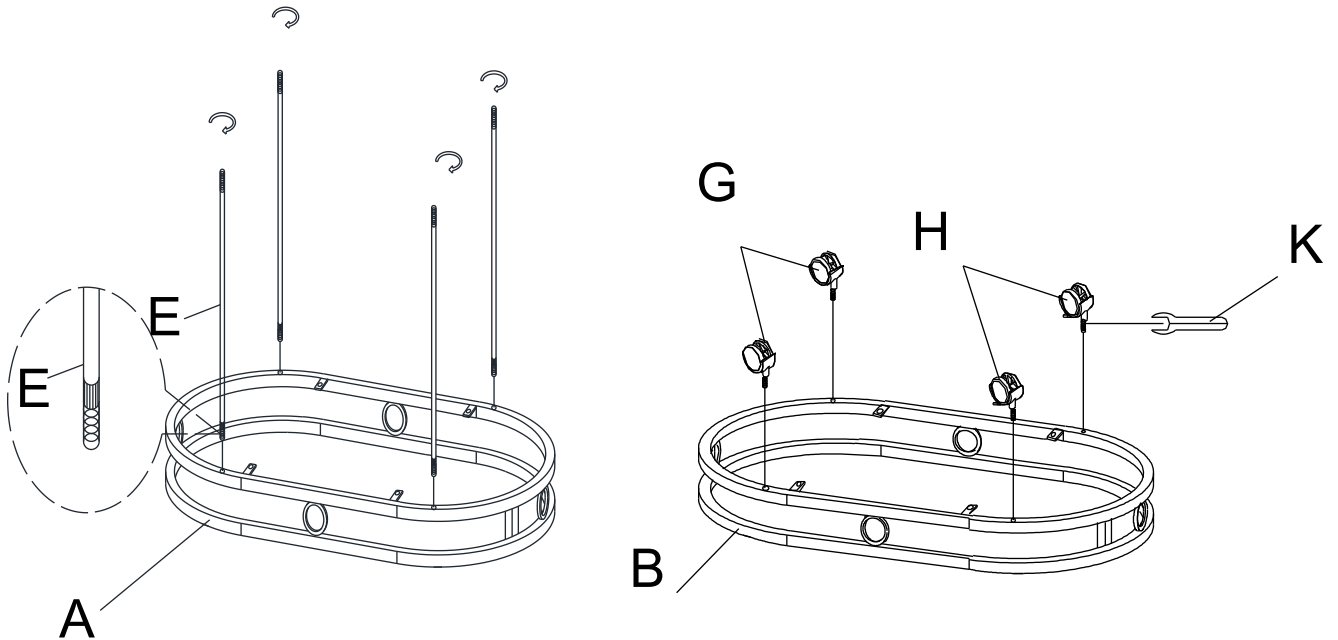
| | | | |
|---|---|---|--|
| A Top Frame  1pc | B Bottom Frame  1pc | C Stretcher  4pcs | D Mirror  2pcs |
| E Long Bolt 1/4" x 23-1/2"  4pcs | F Suction Cap 8mm  8pcs | G Caster Wheel 40mm  2pcs | H Caster Wheel With Brake 40mm  2pcs |
| I Bolt 1/4" x 1/2"  4pcs | J Allen Wrench 1/4"  1pc | K Open Wrench 13mm  1pc | |



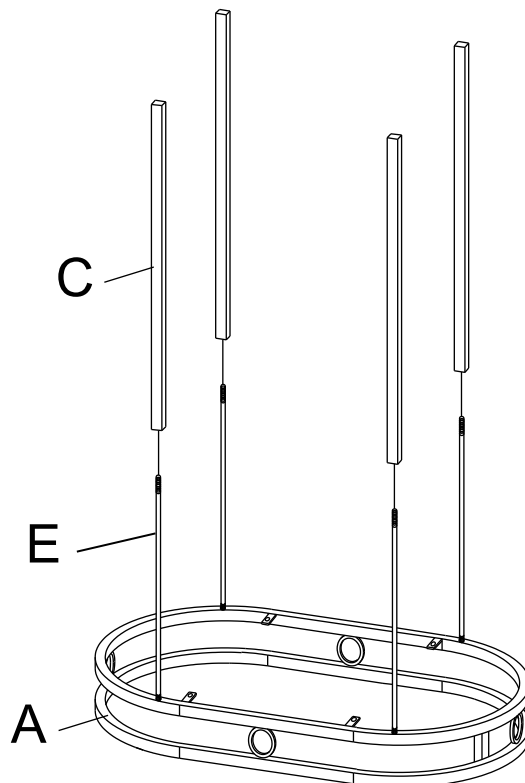
This page lists all the contents included in the box. Please take the time to identify the hardware as well as the individual components to this product. As you unpack and prepare for assembly, place the contents on a carpeted or padded area to protect them from damage.

***** Do not tighten screws & bolts until the entire unit is completely assembled.**

- 1** Attach Long Bolt (E) to Top Frame (A), then attach Caster Wheel (G) and Caster Wheel With Brake (H) to Bottom Frame (B) by Open Wrench (K) as shown.

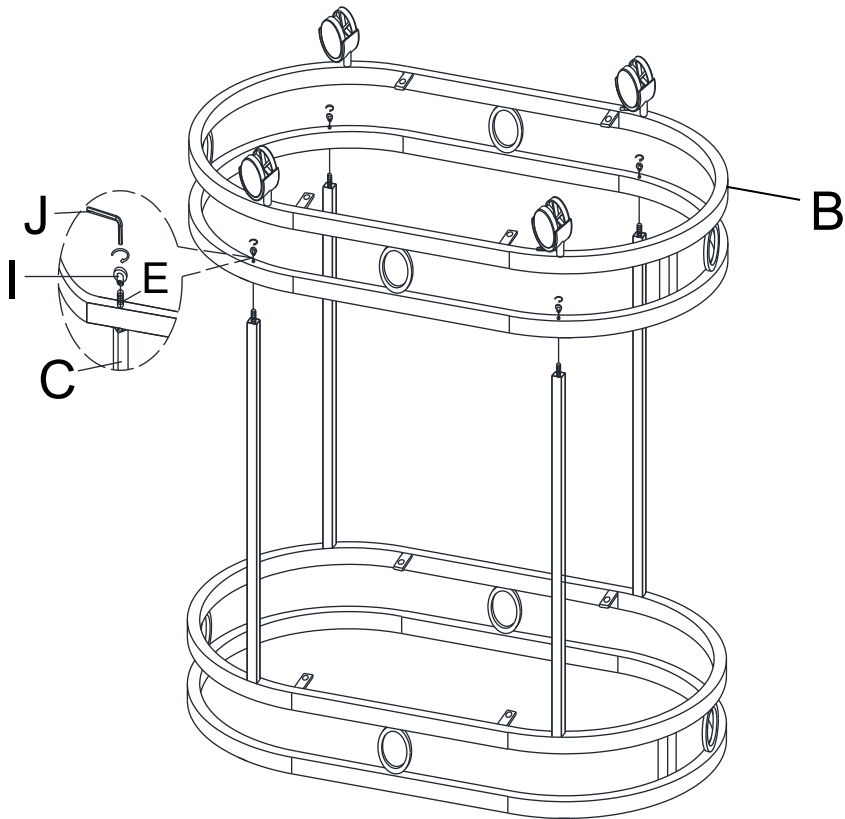


- 2** Put Stretcher (C) into Long Bolt (E) as shown.

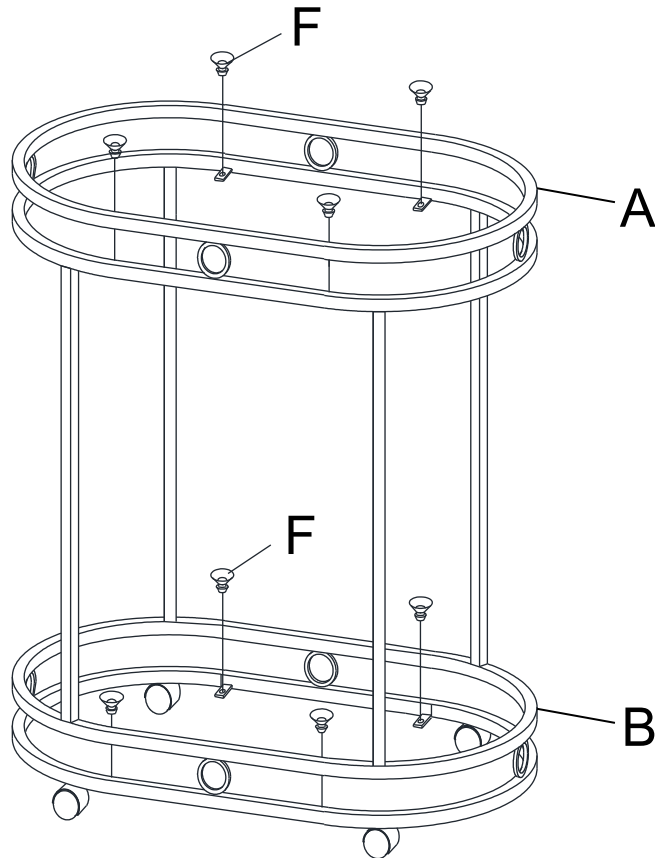


3

Attach Bottom Frame (B) to Long Bolt (E) by Bolt (I) and Allen Wrench (J) as shown. Tighten all bolts then turn the bar cart upright.

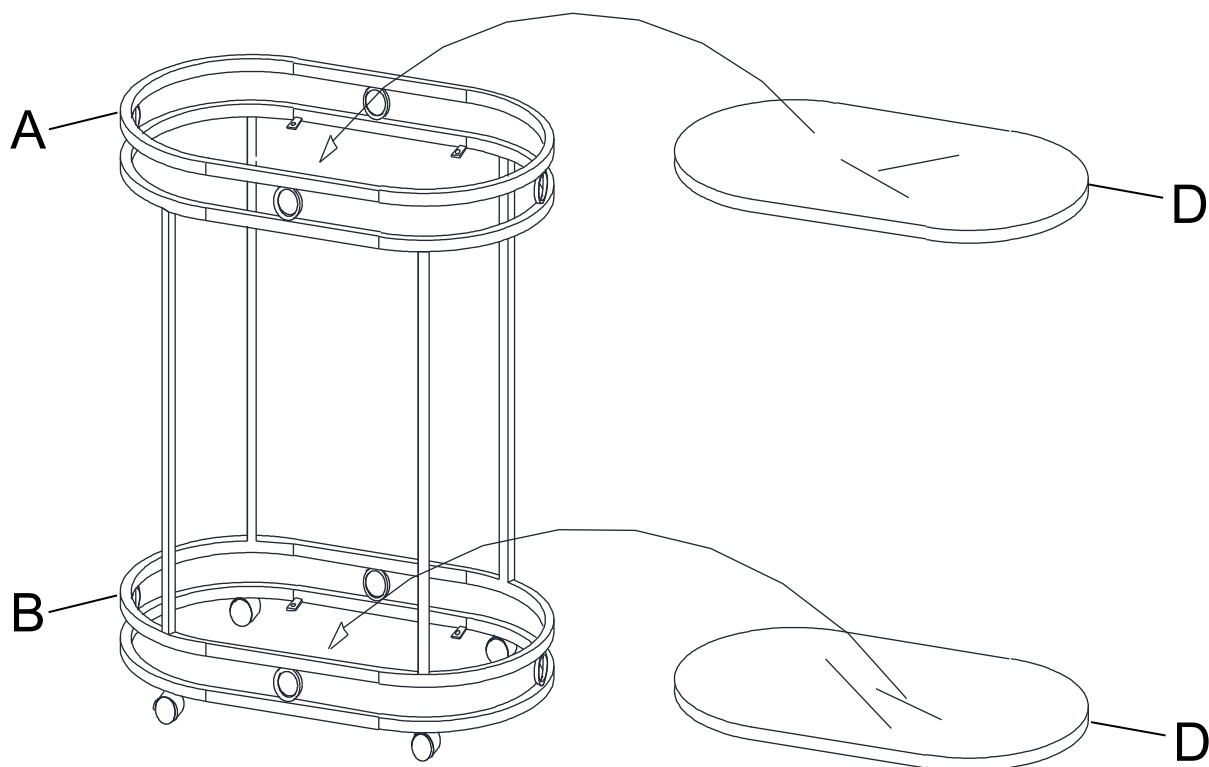
**4**

Attach Suction Cap (F) to Top Frame (A) and Bottom Frame (B) as shown.



5

Place Mirror (D) to Top Frame (A) and Bottom Frame (B) as shown.



Cleaning & Care

Treat surface with care. Surface is resistant to scratches but is not scratch resistant. Clean surfaces with a dry or damp soft cloth. Do not use abrasive cleaners. Hardware may loosen over time. Periodically check that all connections are tight.