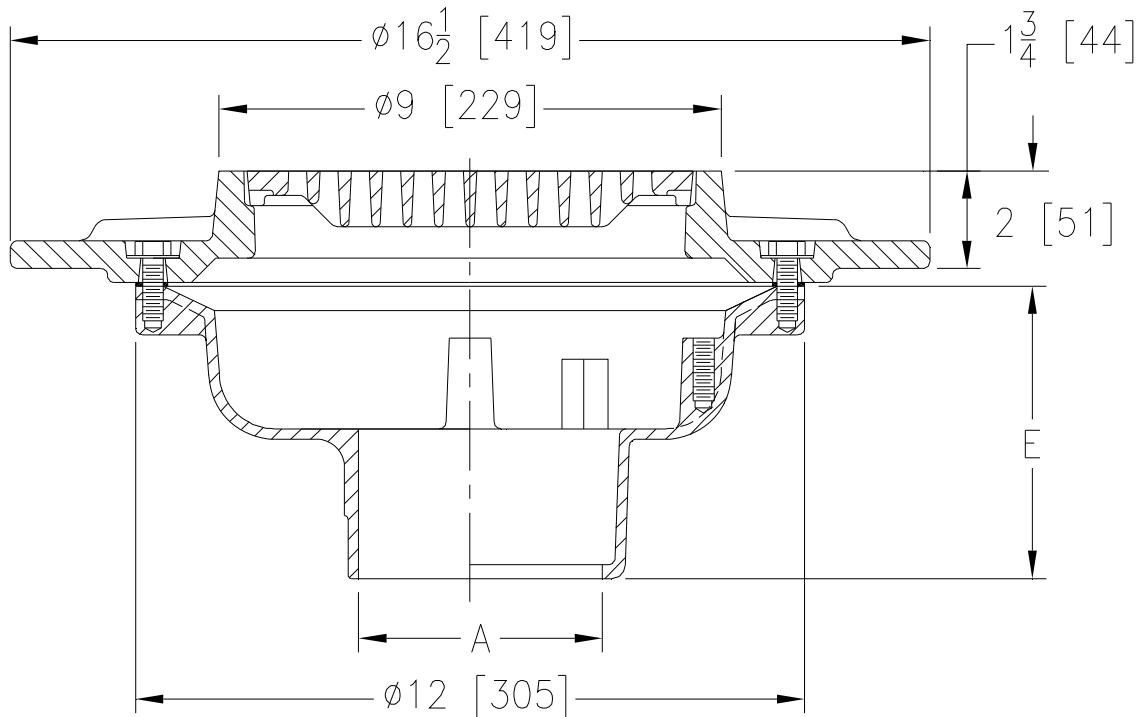


**Z533****9 [229] DIAMETER HEAVY-DUTY
PARKING DECK DRAIN W/ SUPPORT FLANGE**

SPECIFICATION SHEET

TAG _____

Dimensional Data (inches and [mm]) are Subject to Manufacturing Tolerances and Change Without Notice



A Pipe Size In [mm]	Approx. Wt. Lbs. [kg]	Grate Open Area Sq. In. [cm ²]
3,4 [76,102]	48 [22]	16 [103]

ENGINEERING SPECIFICATION: ZURN Z533
 9" [229mm] Diameter parking deck drain, Dura-Coated cast iron body with bottom outlet, heavy-duty gasketed drain support flange, with heavy-duty Duresist slotted grate.

OPTIONS (Check/specify appropriate options)**PIPE SIZE**

3,4 [76,102]

3,4 [76,102]

(Specify size/type) **OUTLET**

___ NH No-Hub

___ NL Neo-Loc

'E' BODY HT. DIM.

5-1/4 [133]

4-9/16 [116]

PREFIXES

___ Z D.C.C.I. Body and Top*

___ ZB D.C.C.I. Body with Polished Bronze Top (Add 3/16 [5] to 2 [51] Dim.)

___ ZN D.C.C.I. Body with Polished Nickel Bronze Top (Add 3/16 [5] to 2 [51] Dim.)

SUFFIXES

___ -C Underdeck Clamp

___ -G Galvanized Cast Iron

___ -TS Top Secured with Slotted Screws

___ -VP Vandal-Proof Secured Top

___ -Y Sediment Bucket

* Regularly furnished unless otherwise specified.

Zurn Industries, LLC | Specification Drainage Operation
 1801 Pittsburgh Avenue, Erie, PA U.S.A. 16502 · Ph. 855-663-9876, Fax 814-454-7929
 In Canada | **Zurn Industries Limited**
 3544 Nashua Drive, Mississauga, Ontario L4V 1L2 · Ph. 905-405-8272, Fax 905-405-1292
www.zurn.com

Rev. J
 Date: 09/26/2017
 C.N. No. 137901
 Prod. | Dwg. No. Z533