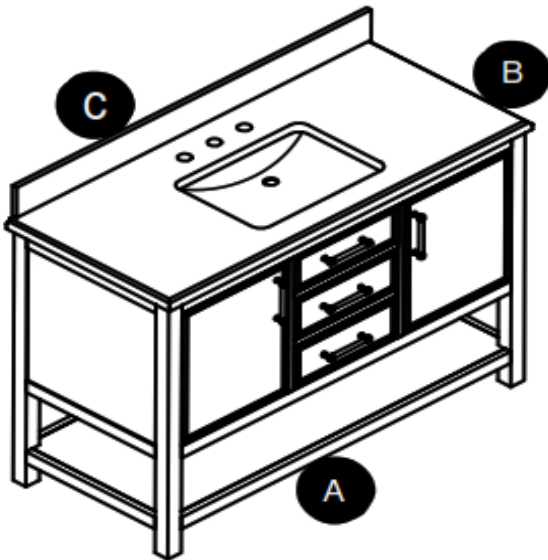


# 48" BATHROOM VANITY WITH WHITE MARBLE



PART	DESCRIPTION	QUANTITY
A	Vanity	1
B	Top (pre assembled to Vanity (A))	1
C	Backsplash	1

## HARDWARE CONTENTS



Touch-Up Pen  
Qty: 1

## **!** SAFETY INFORMATION

Please read and understand this entire manual before attempting to assemble, operate or install this product.

## **!** WARNING

- Keep small parts away from children.
- Installing the item will require more than one person.

## CAUTION

- **DO NOT** try to pry off top from vanity. Damage to top or vanity may occur.
- Use care when assembling the vanity; take your time and follow the assembly instructions closely.

**KEEP THESE INSTRUCTIONS FOR FUTURE REFERENCE.**

## PREPARATION

Before beginning assembly of product, make sure all parts are present. Compare parts with package contents list and hardware contents list. If any part is missing or damaged, do not attempt to assemble the product.

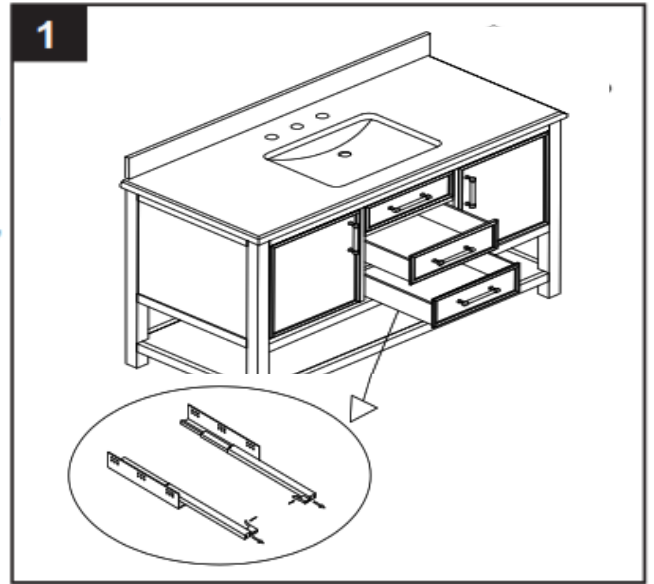
**Estimated Installation Time:** 20-30 minutes (24 hours for adhesive to dry).

Tools Required for Installation (not included): Silicone compound, Utility knife.

# INSTALLATION INSTRUCTIONS

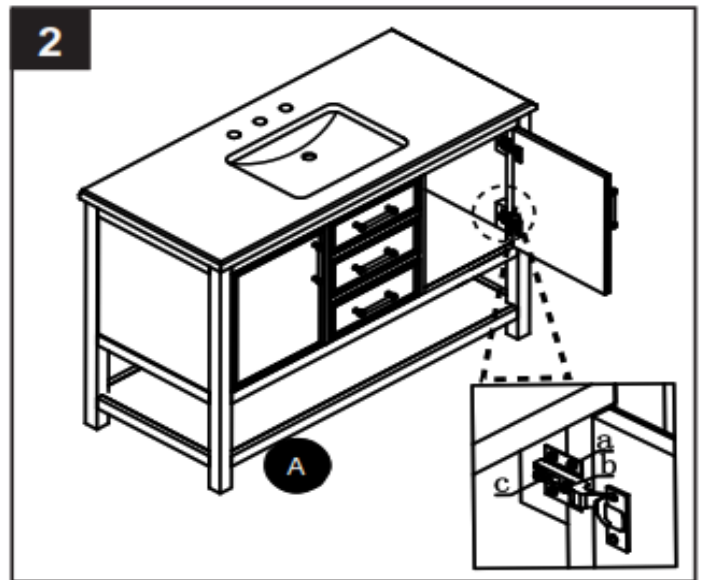
## Step 1: Vanity Drawer Removal

- 1a. Open the preassembled drawer as far as possible.
- 1b. Simultaneously press the plastic cards on the bottom of drawer left side and right side inward.
- 1c. Once both plastic cards are held in the indicated position, pull the drawer straight out.



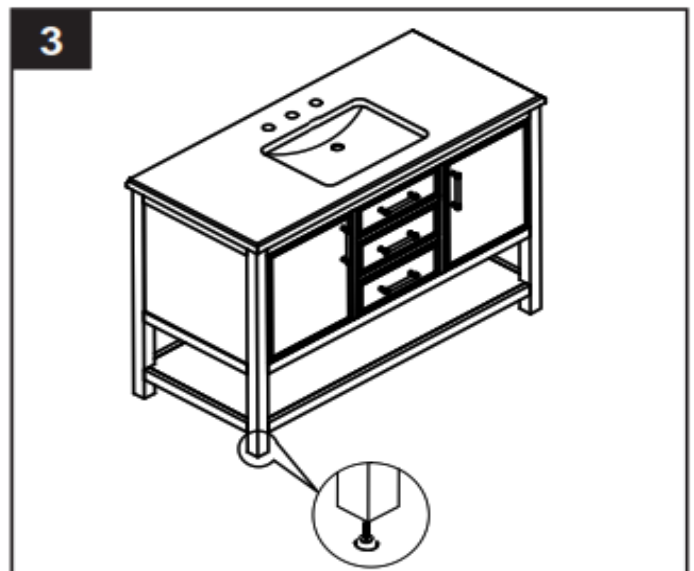
## Step 2: Hinge Adjustable For Door Alignment

- 2a. If the doors preassembled to vanity base (A) require adjustment, follow the below options as needed:
  - To adjust door up or down, loosen screws (a), adjust door and retighten screws.
  - To adjust door left and right, turn screw (b) in or out.
  - To adjust door in and out, loosen screw (c), adjust door and retighten screw.



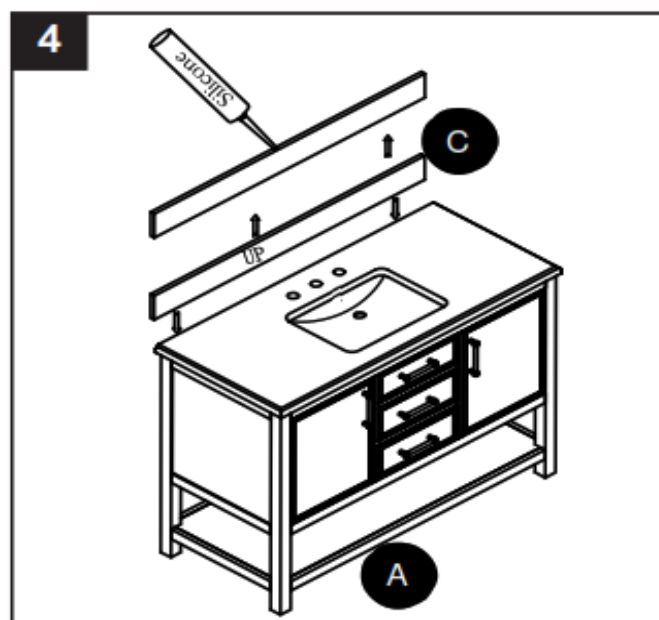
## Step 3: Adjustable Level

- 3a. In case of uneven floors, floor levelers are provided at the bottom of the vanity. If necessary, adjust floor levelers by hand to correct tilting and/ or level doors.



#### Step 4: Backsplash Installation

4a. To mount the backsplash (C) to the wall, apply a thin bead of silicone compound (not included) to the unpolished back side and bottom of the backsplash (C). Position backsplash (C) as shown onto vanity top (A) and against the wall. Clean any excess silicone compound before allowing to dry.



#### CARE AND MAINTENANCE

- Dust the vanity regularly with a soft, non-lint producing cloth or household dusting product.
- You can clean the vanity with a gentle, non-abrasive household cleaner.
- Make sure to dry the wood immediately with a soft cloth or towel.
- The stone top can be cleaned using standard marble cleaning agents available at your local supplier.
- Tips for using touch-up pen (AA): For scratches, stroke in direction of scratch. Rub off excess colorant promptly with a soft cloth.

#### IMPORTANT

The vanity top and backsplash are made from stone slabs. Due to its natural stone beauty, every stone top will have its own unique characteristics such as veining, color variances and natural surface textures.

- Use caution placing items such as soap or any fragranced material on the stone surface. Use a soap dish,coaster or similar item to protect the surface if placing any soap or fragranced products on the stone.
- If soap or fragranced products come in contact with the stone top, rinse the surface with water and dry using a soft non-abrasive cloth.
- DO NOT use products to clean the stone top that contain acetone, lemon, vinegar or other acids as these may cause damage to the stone surface.
- This vanity top is pre-sealed at the factory, Periodically reseal is required. As it is porous and various by nature, more frequent application is recommended and may be required depending on the usage. Follow sealer manufacturer's recommendation.
- Stone care products are available at your local home center store. Follow the manufacturer's directions on how to use.