

Installation Guide

Deck-Mount Bath Faucet with Handshower

P22134, P22234, P22233,
P22606, P22711, P22806,
P22906

Français, page "Français-1"
Español, página "Español-1"

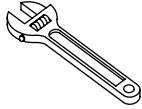
KALLISTA®

1008412-2-C

Thank You For Choosing Kallista

Thank you for choosing Kallista. Please take a few minutes to review this manual before you start installation. If you encounter any installation or performance problems, please don't hesitate to contact us from within the USA or Canada at 1-888-4-KALLISTA (1-888-452-5547).

Tools and Materials



Adjustable
Wrench

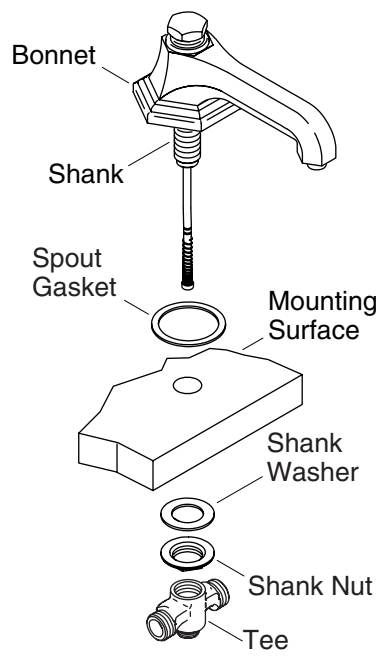


Thread
Sealant

Before You Begin

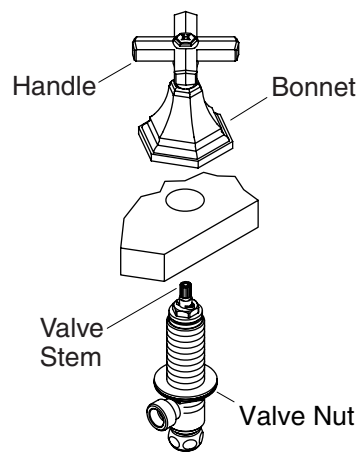
IMPORTANT! For proper drainage of the spout, install the bath faucet to a level surface.

- Observe all local plumbing and building codes.
- Shut off the main water supply.
- The appearance of your faucet may differ from the faucet illustrated. The referenced components in the illustration and the installation instructions still apply.
- Before installation, unpack the new faucet trim and inspect it for damage. Return it to the carton until installation.
- Inspect all threads, connections, and O-rings to ensure they are clean before installing.
- Kallista reserves the right to make revisions in the design of faucets without notice, as specified in the Price Book.



1. Install the Faucet

- Remove the tee from the shank by turning the tee counterclockwise.
- Remove the shank nut and shank washer from the shank.
- Make sure the spout gasket is in place underneath the bottom of the bonnet.
- Insert the shank through the faucet hole in the mounting surface.
- From the underside of the mounting surface, slide the shank washer and shank nut onto the shank.
- Thread the shank nut up onto the shank until the shank nut is flush against the mounting surface. Wrench tighten the shank nut.

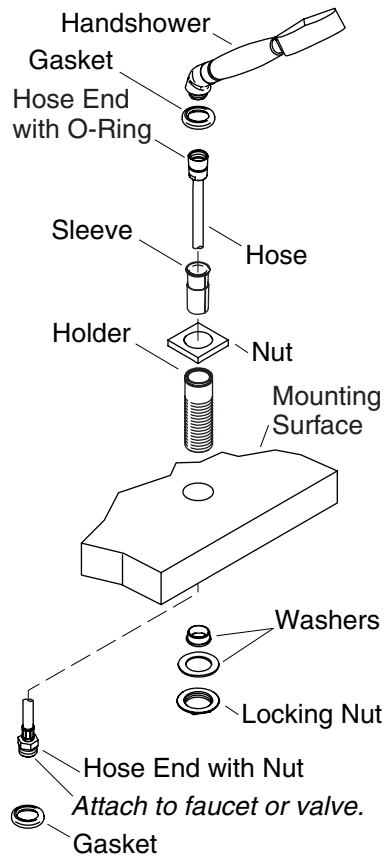


2. Install the Handles

- Remove the handle from each valve by turning the bonnet counterclockwise.
- Thread the valve nut down on each valve to allow for the thickness of the mounting surface.

NOTE: When facing the bath faucet from a bather's perspective, the handle on the left will supply hot water and the handle on the right will supply cold water.

- Turn the valve stem on one of the valves clockwise to the closed position. This valve will be for the hot water supply.
- From underneath the mounting surface, insert this valve through the mounting hole that will supply the hot water.
- Turn the valve stem on the remaining valve counterclockwise to the closed position. This valve will be for the cold water supply.
- From underneath the mounting surface, insert the valve through the remaining mounting hole.
- Thread the bonnet onto each valve, making sure the handle stays in the closed position and is properly aligned.
- Tighten the valve nut with a wrench until the valve nut is flush against the mounting surface. Ensure the handle is in the final installation position.

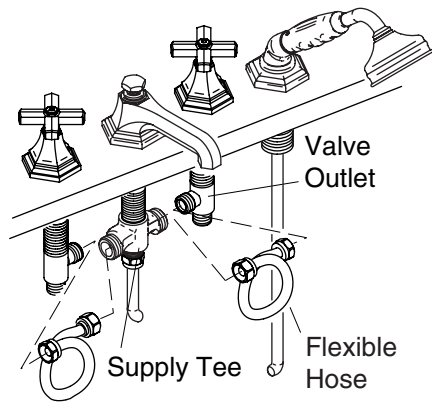


3. Install the Handshower

- Remove the locking nut, washers, and sleeve from the holder.
- Slide the holder through the mounting hole from above the mounting surface.
- Insert the hose end with O-ring through the top of the sleeve.
- From underneath the mounting surface, reinstall the sleeve, washers, locking nut, and nut to the holder.
- Wrench tighten the locking nut.
- Ensure the gasket is in place at the end of the handshower.
- Thread the hose end with O-ring and gasket to the handshower.
- Seat the handshower into the holder.

Install the Handshower (cont.)

- Thread the hose end with the nut and gasket to the faucet (integral diverter models) or to the valve (separate diverter models).
- Securely tighten both ends of the hose with a wrench.



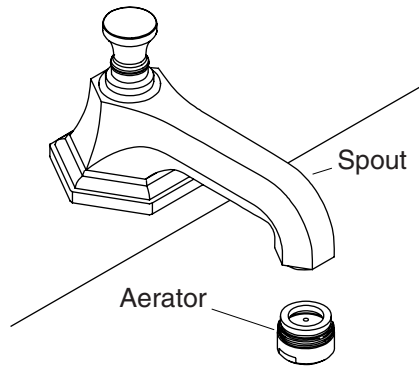
4. Install the Flexible Hoses



CAUTION: Risk of restricted water flow and product damage. Use extreme care when connecting the flexible hoses to avoid kinking and twisting. If necessary, coil the flexible hoses to obtain a good connection, as shown.

IMPORTANT! Do not apply thread sealant to the flexible hoses.

- Wrench tighten one end of each flexible hose to the valve outlets. Do not overtighten.
- Wrench tighten the other end of each flexible hose to the supply tee. Do not overtighten.



5. Installation Checkout

- Ensure that all connections are watertight.
- If present, turn the aerator counterclockwise to remove the aerator from the spout.
- Open the drain.
- Open the main water supply and check for leaks. Repair as necessary.
- Open both hot and cold valves and run water through the spout for one minute to remove debris.
- Activate the handshower. Check for leaks at the flexible hose and handshower hose connections.
- Close the valves.
- Reinstall the aerator onto the spout, if applicable.