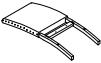

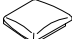








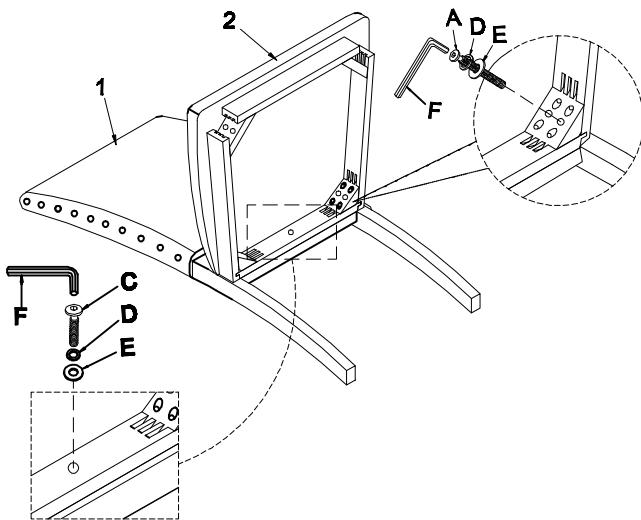


ASSEMBLY INSTRUCTION

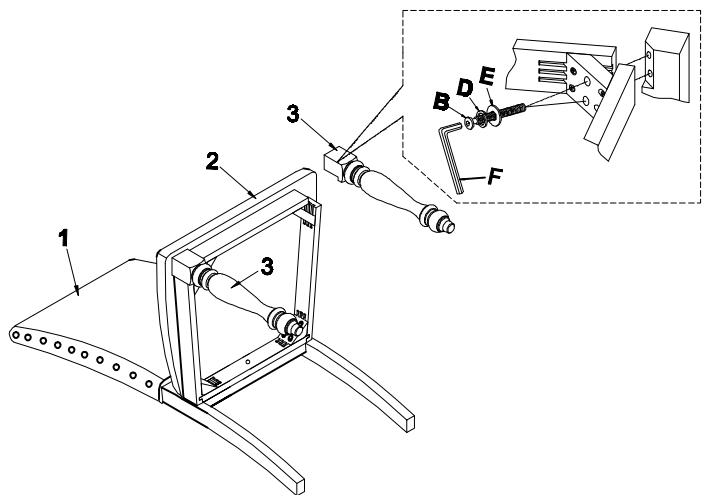
ITEM NO.: 1718GYS SIDE CHAIR

PART LIST			HARDWARE LIST				
1	CHAIR BACK		1PC	A		BOLT (Ø5/16 x 3-1/8")	4PCS
2	SEAT FRAME WITH CUSHION		1PC	B		BOLT (Ø5/16 x 2-3/8")	4PCS
3	FRONT LEG LSF / RSF		2PCS	C		BOLT (Ø5/16 x 1-1/2")	1PC
				D		SPRING WASHER (Ø5/16")	9PCS
				E		FLAT WASHER (Ø5/16")	9PCS
				F		ALLEN KEY (4mm)	1PC

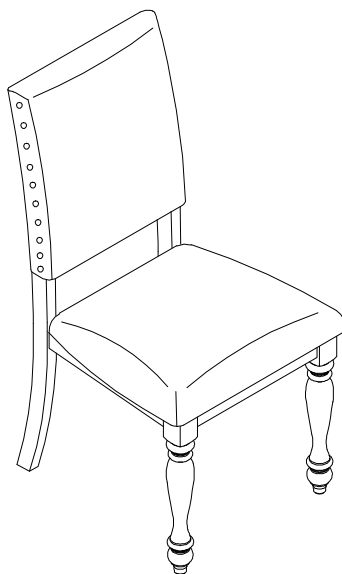
STEP 1



STEP 2



COMPLETED



For items use on wooden floor, hard surfaces or carpets, it is recommended to install protective pads under all legs and supports to avoid/prevent from damages/scratches and discoloration.