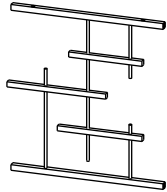


ASSEMBLY INSTRUCTION

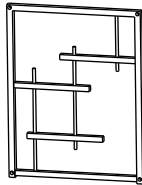
END TABLE WITH FAUX MARBLE TOP

A Side Panel



2pcs

B Side Frame



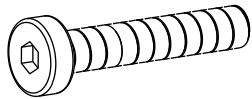
2pcs

C Wood Top



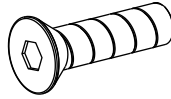
1pc

D Bolt
1/4" x 1-3/4"



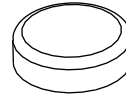
8pcs

E Bolt
1/4" x 1-1/4"



4pcs

F Bolt Cover
11mm

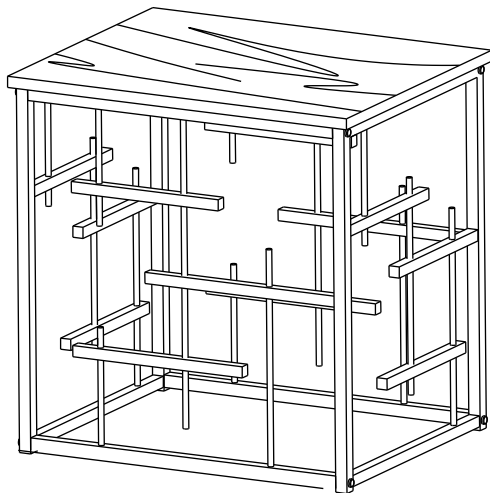


8pcs

G Allen Wrench
1/4"



1pc

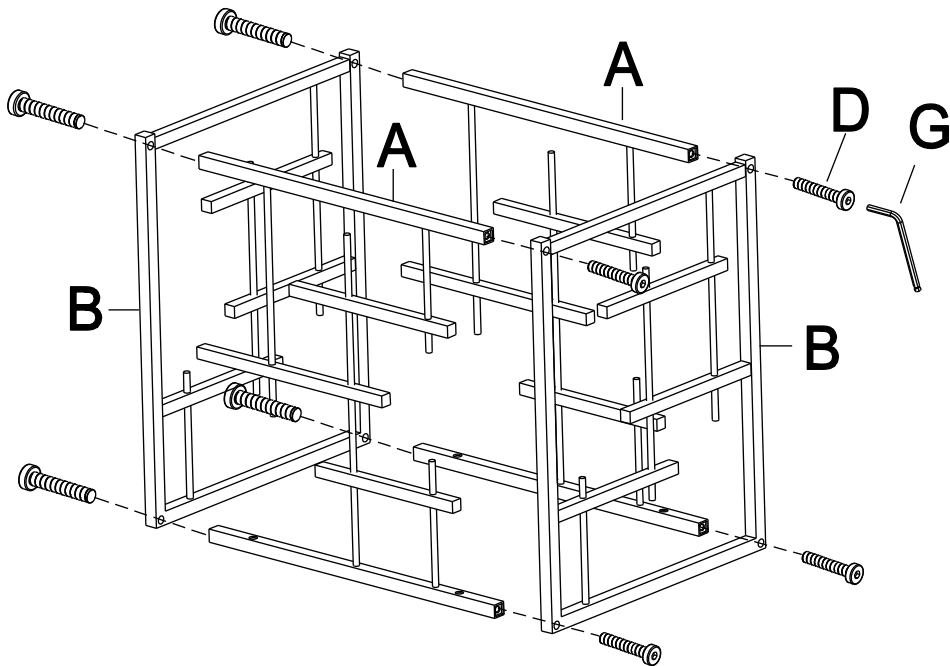


This page lists all the contents included in the box. Please take the time to identify the hardware as well as the individual components to this product. As you unpack and prepare for assembly, place the contents on a carpeted or padded area to protect them from damage.

***** Do not tighten screws & bolts until the entire unit is completely assembled.**

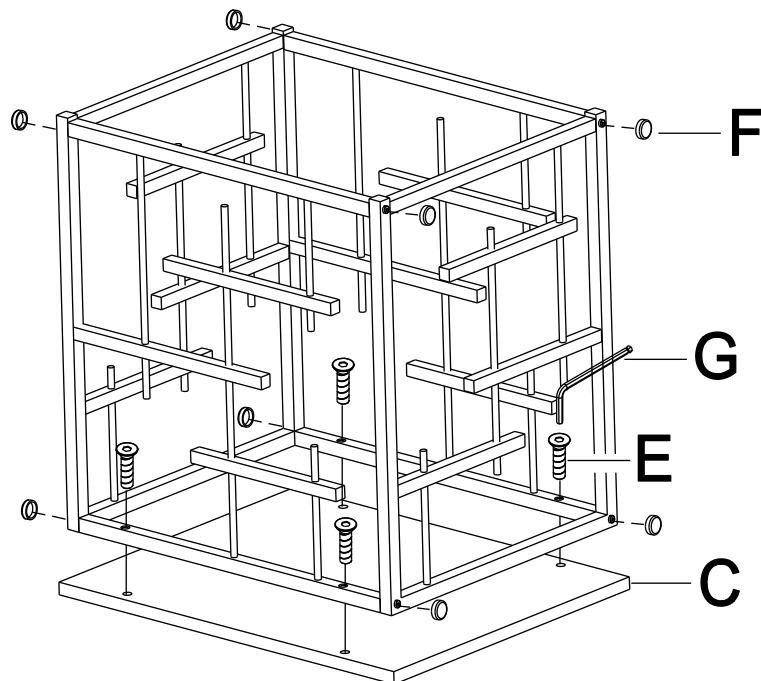
1

Attach Side Panel (A) to Side Frame (B) by Bolt (D) and Allen Wrench (G) as shown.



2

Attach assembled metal base to Wood Top (C) by Bolt (E) and Allen Wrench (G). Then cover the bolt head by Bolt Cover (F) as shown.



Cleaning & Care

Treat surface with care. Surface is resistant to scratches but is not scratch resistant. Clean surfaces with a dry or damp soft cloth. Do not use abrasive cleaners. Hardware may loosen over time. Periodically check that all connections are tight.