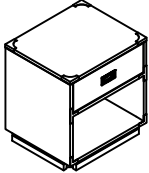





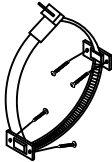
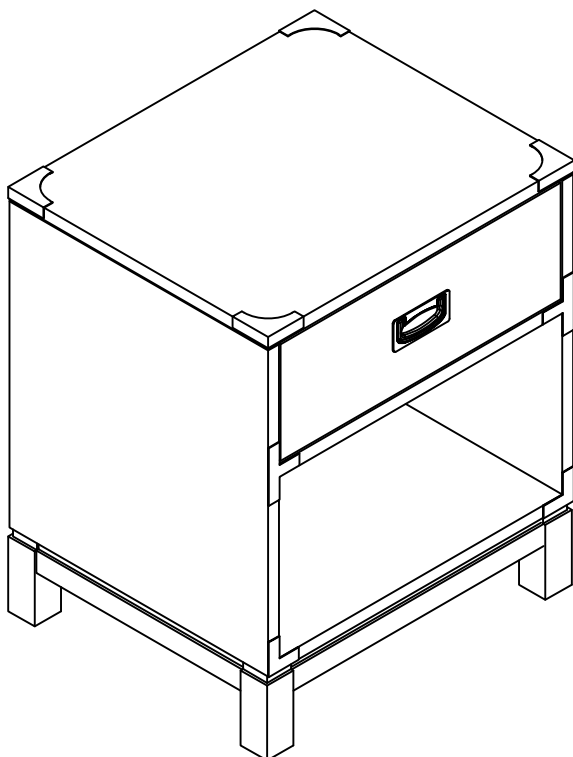


ASSEMBLY INSTRUCTION

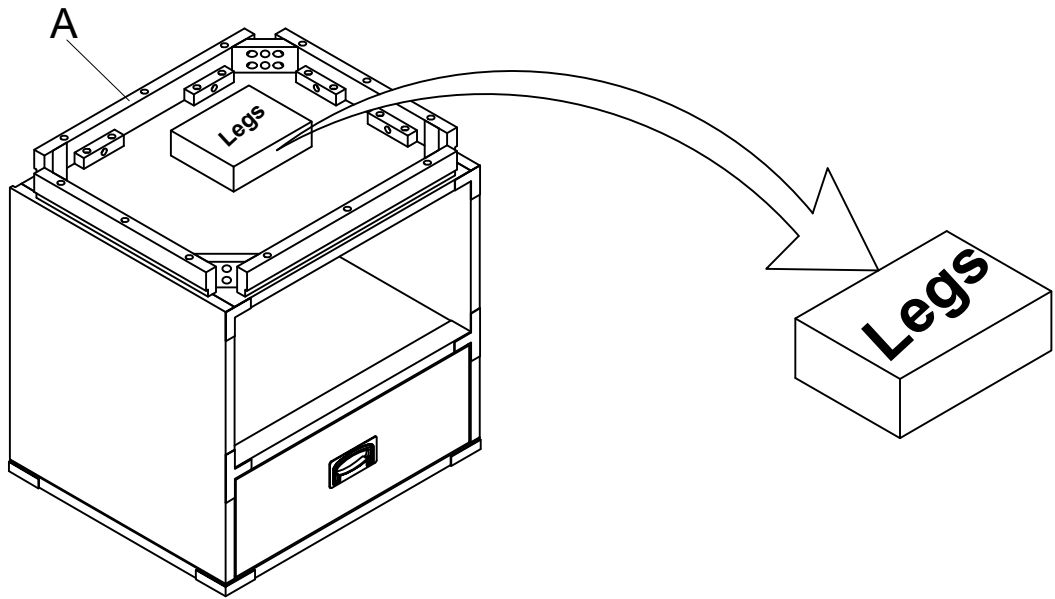
NIGHTSTAND WITH DRAWER

A Nightstand Body  1pc	B Leg (Under Nightstand)  4pcs	C Bolt Ø5/16"x55mm  8pcs	D Lock Washer Ø5/16"x13mm  8pcs
E Flat Washer Ø5/16"x19mm  8pcs	F Allen Key M5  1pc	G Anti-Tipping HW  1set	

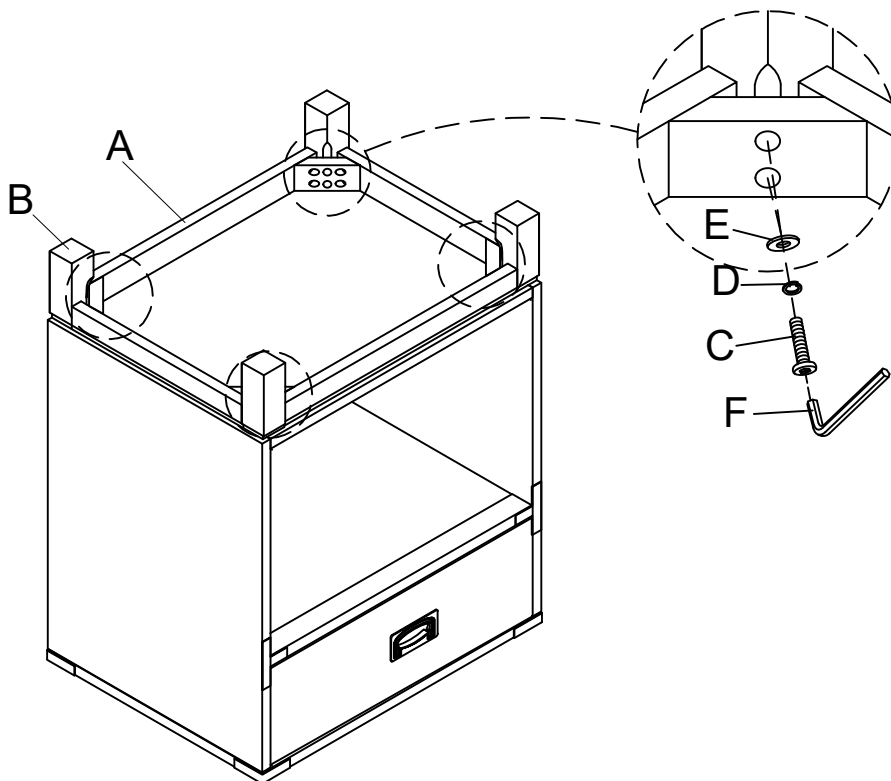


This page lists all the contents included in the box. Please take the time to identify the hardware as well as the individual components to this product. As you unpack and prepare for assembly, place the contents on a carpeted or padded area to protect them from damage.

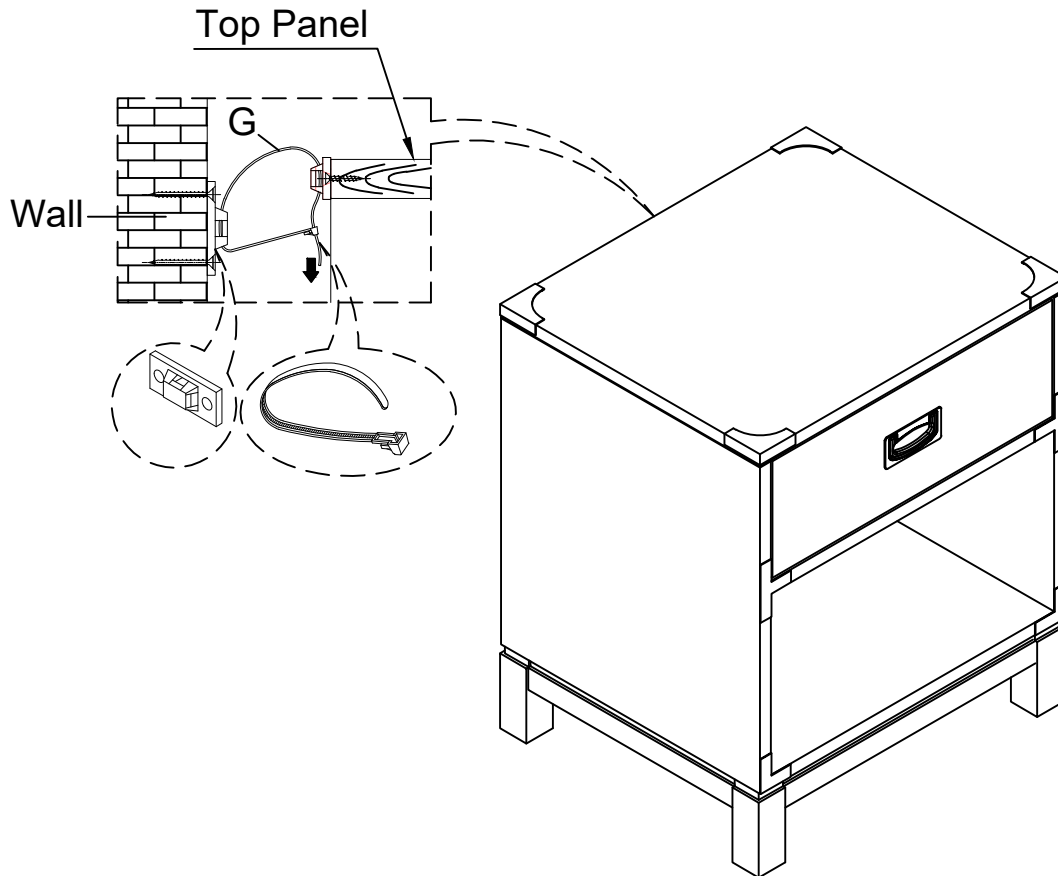
1 Take out legs box from the bottom of Nightstand Body (A).



2 Assemble Leg (B) to Nightstand Body (A), using Bolt (C), Lock Washer (D), Flat Washer (E) by Allen Key (F) as below shown.



-
- 3** Remark: There is a Anti-Tipping HW (G) provided on the back of this product. Please refer carefully to the instruction on the tip restraint kit and following instruction picture for installation.



Cleaning & Care

Treat surface with care. Surface is resistant to scratches but is not scratch resistant. Clean surfaces with a dry or damp soft cloth. Do not use abrasive cleaners. Hardware may loosen over time. Periodically check that all connections are tight.