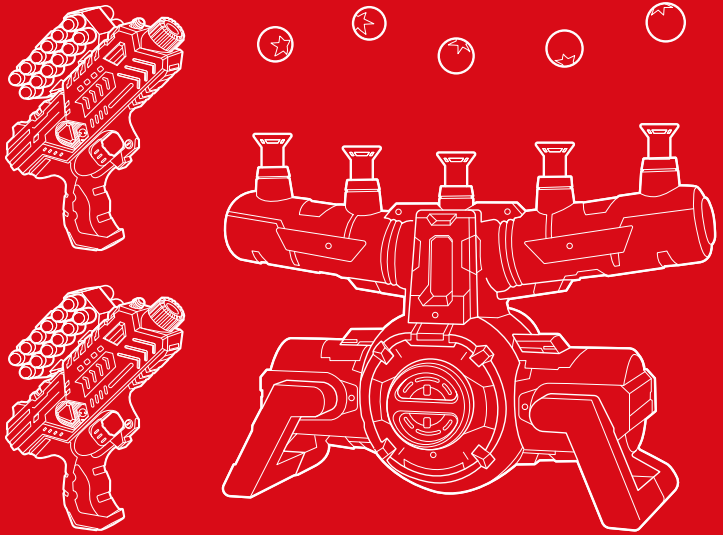




bestchoiceproducts



INSTRUCTION MANUAL

Floating Target Dart Game



bestchoiceproducts

As shoppers, we're always trying to find the perfect balance between quality & value. At BCP, we believe we've achieved that. Our diverse catalog of everyday essentials is tailored especially to our customers & guaranteed to hit that sweet spot of high quality & low price.

— Always. —

WARNING

CHOKING HAZARD - Small parts.
Not for children under 3 years old.

NOTICE

Please retain these instructions for future reference.

- Make sure to remove all packaging material from included parts and hardware.
- Avoid extended exposure to direct sunlight and excessive heat.
- This product requires batteries for operation.
- Follow all instructions carefully.
- Operate only with adult supervision.
- This item comes with a functioning motor, operate only in a well-ventilated space.
- Do not alter this product in any way as it may result in product failure.
- If any parts are missing, broken, damaged, or worn, stop using this product until repairs are made and/or factory replacement parts are installed.
- Do not use this item in a way inconsistent with the manufacturer's instructions as this could void the product warranty.

AGE RANGE: 3 years old and up

WARNING

- This product contains small parts, please assemble out of the reach of small children to avoid choking hazard.
- Do not aim launcher toys at small children, adults, or animals as this may result in personal injury.
- Do not immerse this product in water.
- Do not fire into your mouth, eyes, or face as this may result in serious injury.
- Do not insert non-standard projectiles into the blaster toys, this may result in personal injury and product damage.
- Do not insert any items into the motor section.
- Do not recolor this product to resemble a genuine firearm.
- Do not block or smother the exhaust fans or outlets of this item.

WARNINGS REGARDING BATTERIES

- Do not mix alkaline, standard (carbon zinc) and rechargeable (nickel hydride) batteries.
- Do not mix old and new batteries.
- Non-rechargeable batteries should not be charged.
- Rechargeable batteries should be charged under adult supervision only.
- Exhausted batteries should be removed.
- The supply terminals should not be short-circuited.
- Do not put batteries next to or in a heat source (fire, electronic heating device, etc.).
- Do not hit batteries against hard objects.
- Do not submerge batteries in water.
- Batteries should be inserted with the correct polarity.

TOOLS REQUIRED



PHILLIPS
SCREWDRIVER



4 C BATTERIES
(NOT INCLUDED)



1 PERSON
ASSEMBLY

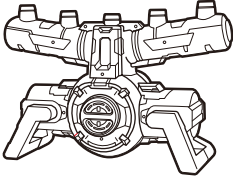


UP TO 10 MIN.
ASSEMBLY

PARTS

A

TARGET PLATFORM/
MOTOR



1 PC

B

TARGET COLLAR



5 PCS

C

TARGET



20 PCS

D

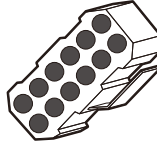
DART BLASTER



2 PCS

E

DART CLIP



2 PCS

F

FOAM DART

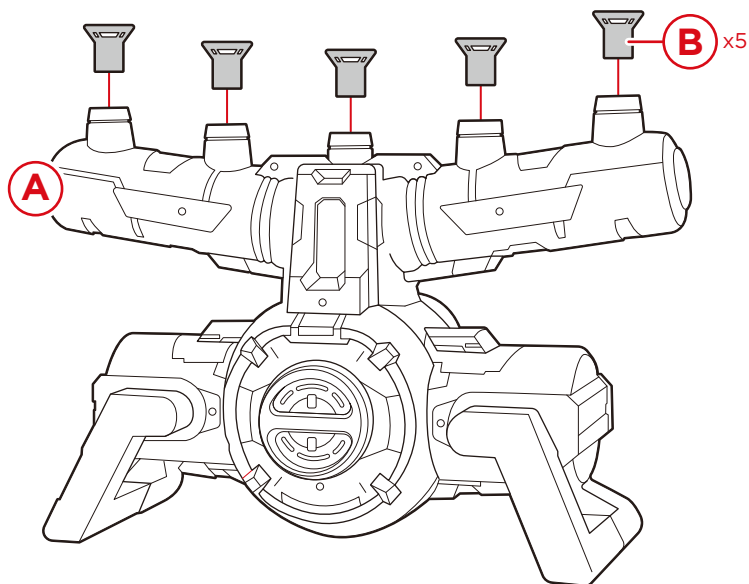


24 PCS

PRODUCT ASSEMBLY

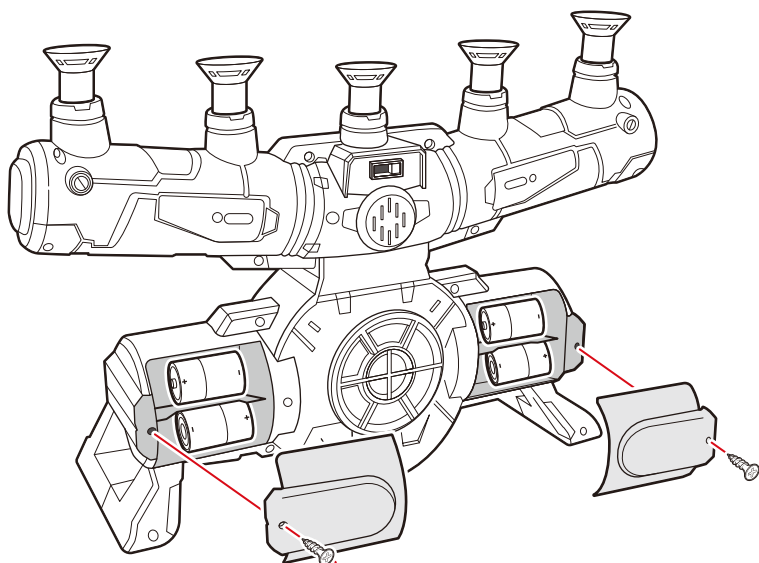
1

Insert five part B target collars into the openings on the part A target platform.



2

Insert four C batteries into the part A target platform.

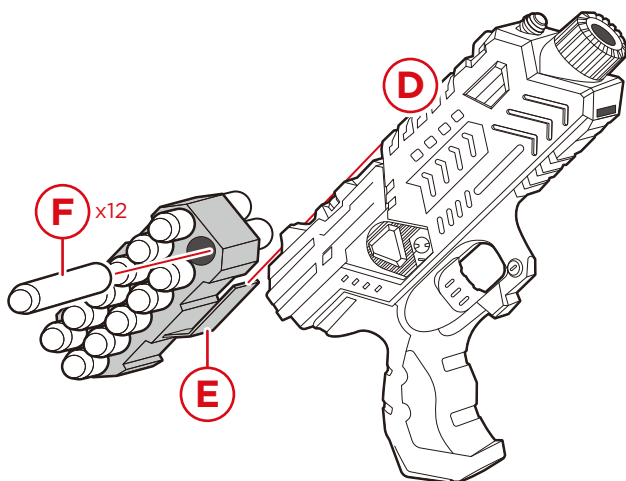


PRODUCT ASSEMBLY

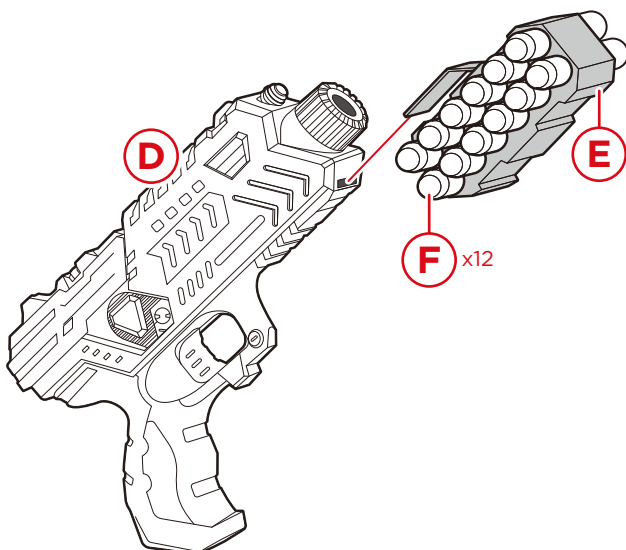
3

Load twelve part F foam darts into one part E dart clip and attach to one part D blaster as shown below.

Repeat to prepare the other blaster and clip set.



OR

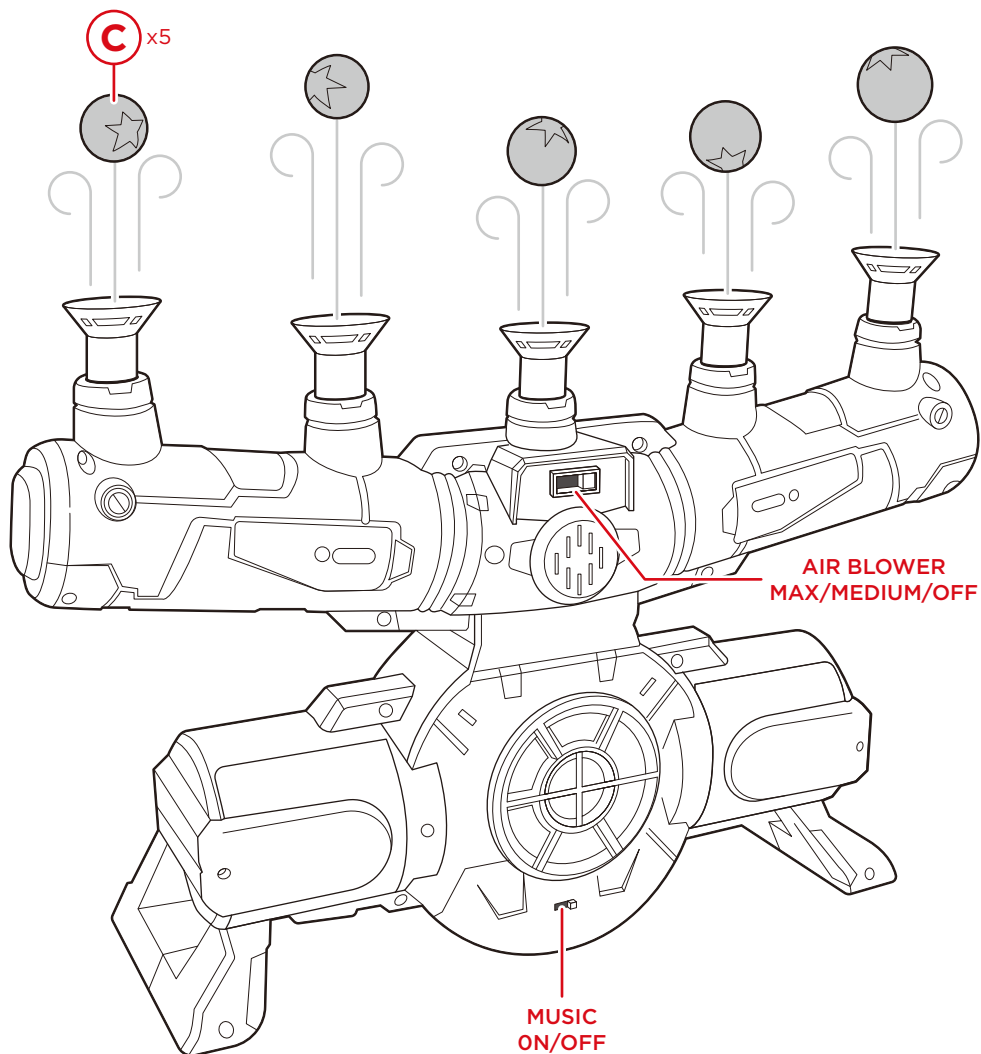


PRODUCT ASSEMBLY

4

Place five part C targets onto the target collars, then flip the air blower switch on the back of the part A target platform.

NOTE: The music and sound switch is located at the bottom of the target platform.





HELP CENTER



Question about your product? We're here to help. Visit us at:

help.bestchoiceproducts.com



Chat Support



Product Inquiry



Orders FAQ



Product Assembly



Returns & Refunds

PRODUCT WARRANTY INFORMATION

All items can be returned for any reason within 60 days of the receipt and will receive a full refund as long as the item is returned in its original product packaging and all accessories from its original shipment are included. All returned items will receive a full refund back to the original payment method. All returned items will not be charged a re-stocking fee.

All returned items require an RA (Return Authorization) number, which can only be provided by a Best Choice Products Customer Service Representative when the return request is submitted. Items received without an RA may not be accepted or may increase your return processing time. Once an item has been received by Best Choice Products, refunds or replacements will be processed within 5 business days.

All returns must be shipped back to the Best Choice Products Return Center at the customer's expense. If the reason for return is a result of an error by Best Choice Products then Best Choice Products will provide a pre-paid shipping label via email. Boxes for return shipping will not be provided by Best Choice Products, and is the customer's responsibility to either use the original shipping boxes or purchase new boxes.

Pictures may be required for some returns to ensure an item is not damaged prior to its return. Items returned are not considered undamaged until they are received by Best Choice Products and verified as such. All damages to items are the customer's responsibility until the item has been received by and acknowledge by Best Choice Products as undamaged.



WARNING

Manufacturer and seller expressly disclaim any and all liability for personal injury, property damage or loss, whether direct, indirect, or incidental, resulting from the incorrect attachment, improper use, inadequate maintenance, unapproved modification, or neglect of this product.