



Location:



4300-TRM, 4300TRMTC
 Shower Valve Trim
Specification Submittal

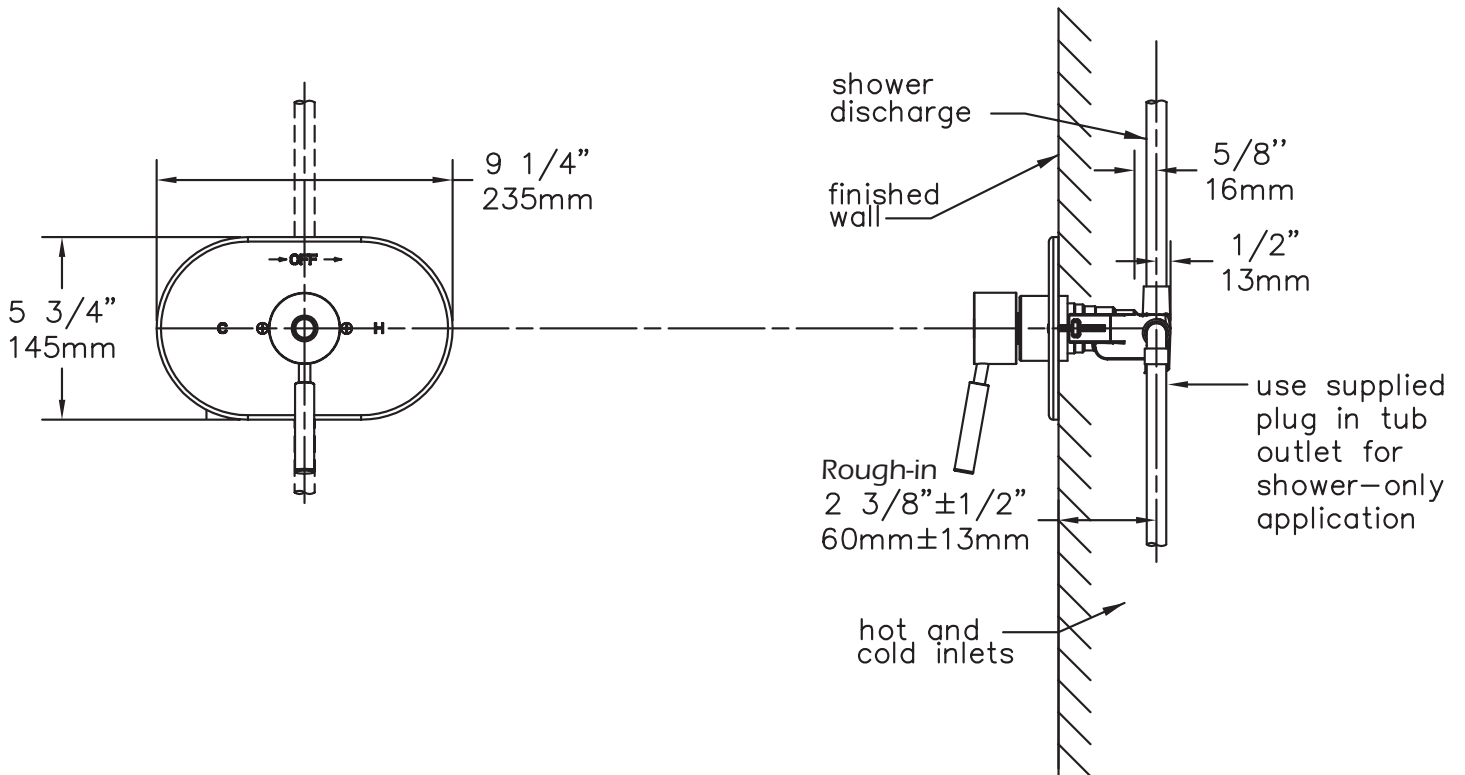


| Model Numbers | Feature Highlights |
|---|---|
| <p><input type="checkbox"/> 4300-TRM Shower Valve Trim, Temptrol Pressure Balancing Shower Valve ordered separately</p> <p><input type="checkbox"/> 4300TRMTC Shower Valve Trim with TA-10 flow control spindle and T-12A cap assembly, must order Temptrol valve with Test Cap</p> | <ul style="list-style-type: none"> • Sereno Shower Valve Trim • Requires Temptrol® Pressure Balancing Shower Valve • Metal lever handle • Diverter tub spout not included • Showerhead not included • Components shall be metal and nonmetallic construction, plated in standard Polished Chrome finish • Available with TA-10 flow control spindle and T-12A cap assembly for Temptrol valve bodies installed with Test Cap (order p/n 4300TRMTC) |
| Options/ Modifications | |
| <p><input type="checkbox"/> REB Rebuild trim kit, includes TA-10 and TA-4</p> <p><input type="checkbox"/> STN Satin Nickel finish</p> | |
| <p>Note: Append appropriate -suffix to model number.</p> | <h3>Warranty</h3> |
| Compliance | <p>Limited Lifetime - to the original end purchaser in consumer/residential installations.</p> <p>10 Years - for commercial/industrial installations. Refer to www.symmons.com/warranty for complete warranty information.</p>  |
| <p>- ASME A112.18.1/CSA B125.1</p>  | |

Architectural/ Engineering Specification

Symmons Sereno Shower Valve Trim _____ Includes Sereno Shower Valve Trim, Requires Temptrol® Pressure Balancing Shower Valve, Metal lever handle, Diverter tub spout not included, Showerhead not included, Components shall be metal and nonmetallic construction, plated in standard Polished Chrome finish, Available with TA-10 flow control spindle and T-12A cap assembly for Temptrol valve bodies installed with Test Cap (order p/n 4300TRMTC). 10 Year Commercial Warranty. ASME A112.18.1/CSA B125.1 compliant. Available options: "REB - Rebuild trim kit, includes TA-10 and TA-4", "STN - Satin Nickel finish".

Dimensions



Notes:

- 1) Valve body and piping not included and shown as reference only.
- 2) Plaster shield (p/n T-176) for dry wall, plaster or other type walls $1/2"$ or greater.
- 3) All dimensions measured from nominal rough-in.
- 4) Dimensions subject to change without notice.