



The Savant® Remote Plenum Sensor measures the air temperature discharged from a commercial HVAC system. The CLI-PLEN1C commercial type sensor is mounted to a UL rated metal electrical box and is attached to the plenum ductwork using self-tapping screws.

The CLI-PLEN1C is wired to the CLI-8000/8000A Thermostat Processing Unit (TPU) using a two-wire Cat 5 twisted pair or equivalent cable. At the TPU, the Plenum sensor is plugged into the REMOTE SENSORS connection located on the front panel. At the sensor side, the sensor is wired to the remote sensor cabling using the Dolphin Splice Connectors enclosed in the install kit.

Once mounted, the Max and Min DAT (Discharge Air Temperature) setting within the HVAC menu of the TPU can be adjusted for Min and Max values. If either of these settings are crossed, the heating or cooling system is shut down.

**Box Contents**

- (1) CLI-PLEN1C
- (2) Dolphin Splice Connector (028-0581-xx)
- (1) Quick Reference Guide (this document)

**Related Components**

- Savant® CLI-8000/8000A Eight Zone Centralized Thermostat Processing Unit
- Savant® CLI-PLEN1R - Residential Type Plenum Sensor
- Savant® CLI-THFM1 - Remote Humidity/Temperature Smart Sensor
- Savant® CLI-SLAB1 - Remote SLAB or floor heating sensor
- Savant® SST-TEMP1 - Remote Indoor Temperature Sensor
- Savant® SST-OTEMP1 - Remote Outdoor Temperature Sensor

**CLI-PLEN1C**

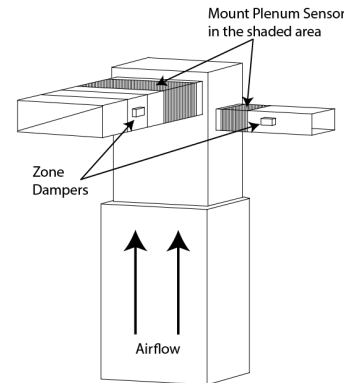


**Specifications**

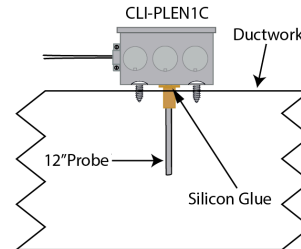
Environmental	
Temperature	32° to 158°F
Cable Requirements	
Cat 5 (24 AWG)	500 feet (152.4 m) maximum
Sensor Property & Features	
Temperature Range (Thermistor)	-94° to 302°F
Temperature Accuracy (Thermistor)	+/- 0.36°F
Probe Length	12 inches (304.8 mm)
Probe Material	Stainless Steel
Probe Wire Length	8 inches (203.2 mm)
Probe Housing (l x w)	4 inches (101.6 mm) x 2.125 inches (53.975 mm)
Probe Housing Depth	1.625 inches (41.28 mm) Including Cover
Probe Housing Depth	1.5 inches (38.1 mm) No Cover
Probe Wire Properties	FT4, 176°F (80°C), 600V
Compliance	
RoHS	Compliant

**Installation**

1. Position the Plenum temperature sensor between the evaporator coil in the furnace and the bypass zone dampers on one of the supply trunks. Refer to the diagram below. The Plenum temperature sensor should be mounted in the shaded area in the diagram below.



2. In the area selected, drill a 5/8 inch hole into the ductwork.
3. Slide the sensor into the hole.
4. Add a small amount of high temperature silicone glue between the electrical box and where the box mounts to the ductwork. This will prevent any possible air leaks.
5. Insert (2) #6 self-tapping screws (not included) through the holes in the bottom of the electrical box and screw them into the ductwork. Refer to the diagram below.



**Wire Sensor to Remote Sensor Cabling**

1. Connect the wires from the sensor to the existing remote sensor cabling using the Dolphin Splice Connectors enclosed in the install kit. There is no polarity observed here.

**Important Note:** It is recommended that the Dolphin Ratcheting Crimp Tool DR-4141 or DC-500F be used to terminate the connections.

**Connection at CLI-8000/8000A**

1. Remove the four position screw terminal from the REMOTE SENSORS connection of any zone on the TPU. The Plenum sensor is supported on port 2 only.
2. Loosen the screws located on the top of the connector till the silver crimp in the front opens enough to slide the wire from the remote sensor cabling into the connector.
3. Insert the wires from the Remote Sensor cabling into the terminal block. No polarity is observed here.
4. Turn the screws clockwise till the silver crimp clamps around the wire. Tug on the wire a bit to verify the wires are installed securely.
5. Plug the terminal block back into its remote sensor mate in the front panel.
6. Configure the CLI-8000/8000A to enable communications between the sensor and the TPU.

**Additional Information**

Once the sensor is installed, it needs to be configured and if required, calibrated. For information related to configuring and calibrating or any other information related to installing and configuring the Savant Centralized Climate Control system, refer to the Savant Portal at [dealers.savantsystems.com](http://dealers.savantsystems.com)

**Knowledge Base > Savant Hardware > Climate Control**

- Savant® Centralized Climate Control Deployment guide (009-1073-XX, CLI-8000)
- Savant® Centralized Climate Control Deployment guide (009-1154-XX, CLI-8000A)