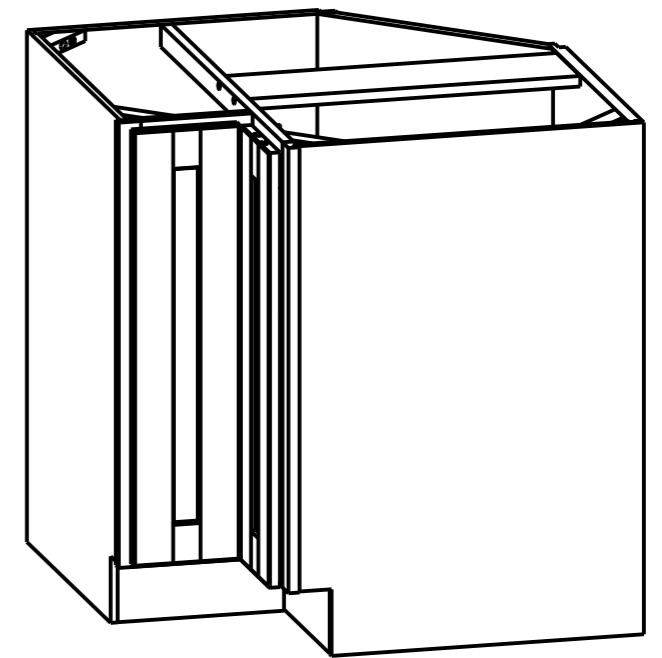
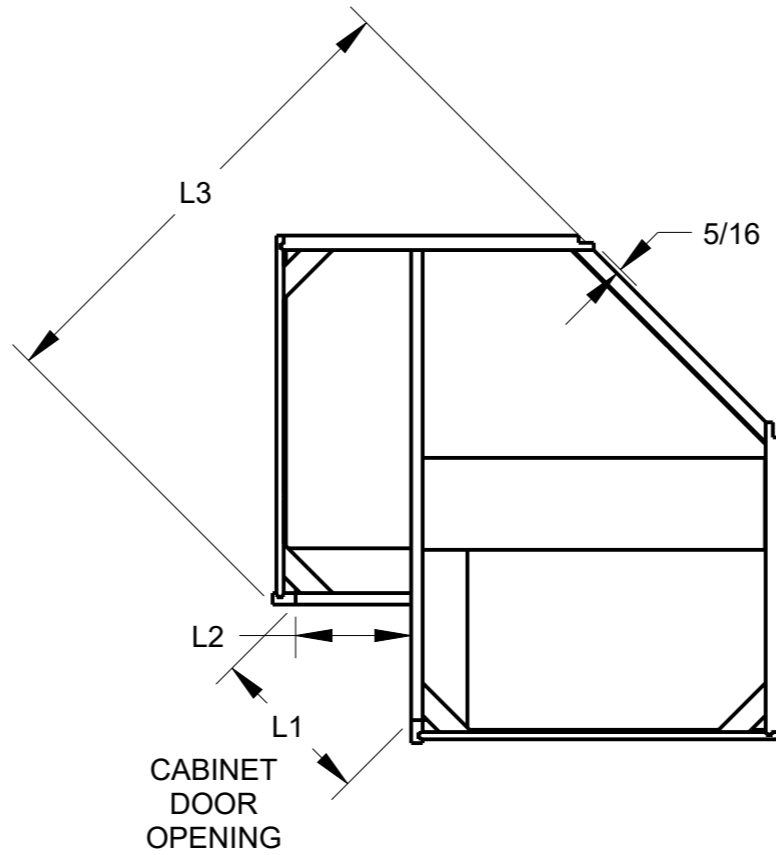
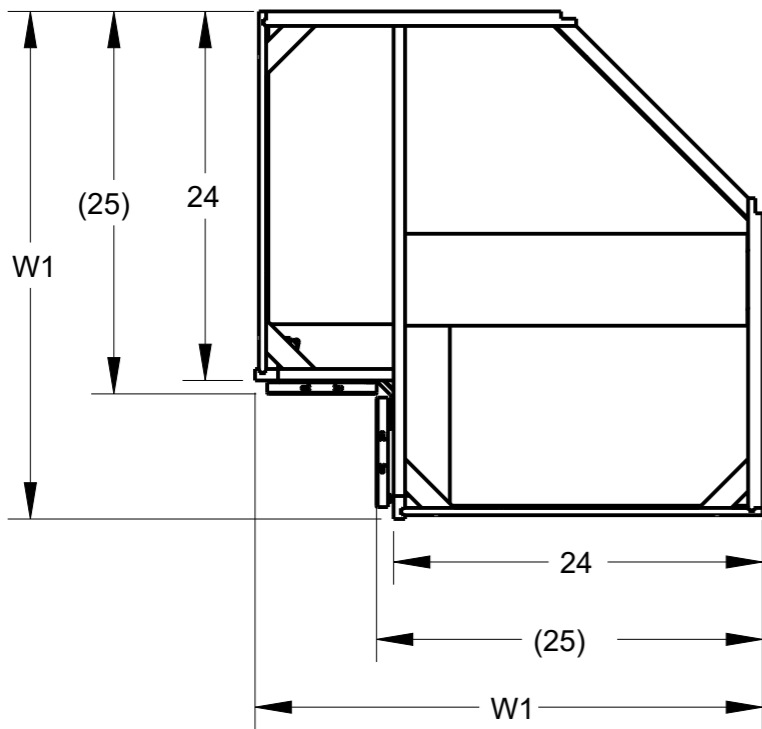
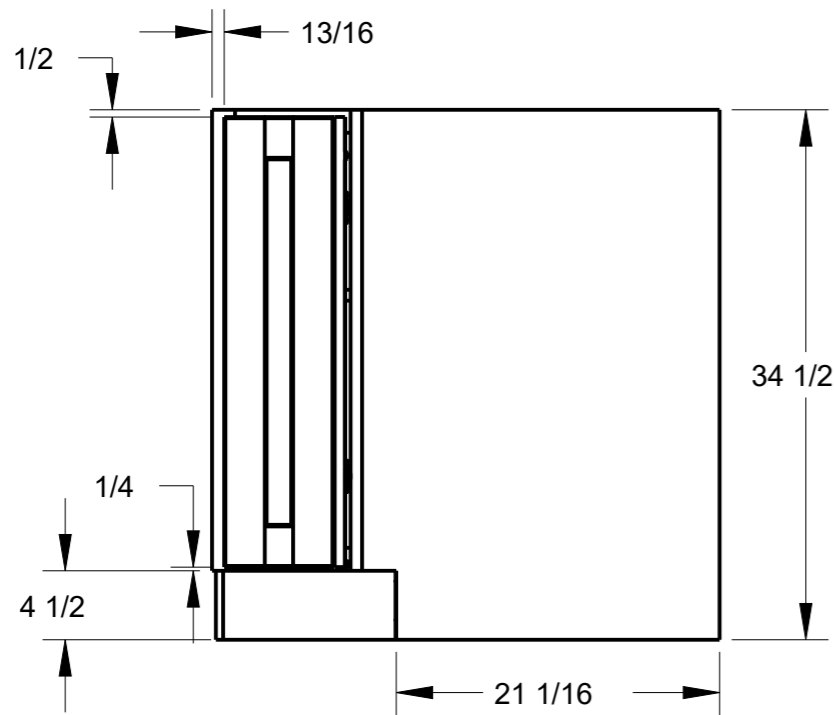


PRODUCT	W1	L1	L2	L3	DOOR SIZE
					ROUNDED TO THE NEAREST 1/32
BC33U	33"	10 5/8"	7 17/32"	31 1/16"	7 1/8" X 29 9/32"
BC36U	36"	14 7/8"	10 17/32"	34 3/16"	10 1/8" X 29 9/32"



PRODUCT SHOWN BC33



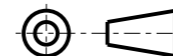
HARDWARE RESOURCES RESERVES THE RIGHT TO CHANGE SPECIFICATIONS WITHOUT NOTICE. IN CASE OF A DISCREPANCY, ACTUAL PART GEOMETRY SUPERSEDES THIS DOCUMENT.

THE INFORMATION CONTAINED WITHIN THIS DRAWING IS THE SOLE PROPERTY OF HARDWARE RESOURCES INC. ANY REPRODUCTION IN PART OR WHOLE WITHOUT WRITTEN PERMISSION OF HARDWARE RESOURCES INC. IS PROHIBITED.

DOCUMENT STATUS **Released**
UNLESS OTHERWISE SPECIFIED DIMENSIONS ARE IN INCHES (IN)

MATERIAL N/A FINISH N/A

THIRD ANGLE PROJECTION DATE 30MAR2020



PRODUCT DESCRIPTION
BC33U, BC36U FULL OVERLAY

DRAWING NUMBER **BC33-BC36 FULL OVERLAY** REV **E**
SIZE A3 SCALE 0.080 SHEET 1 / 1