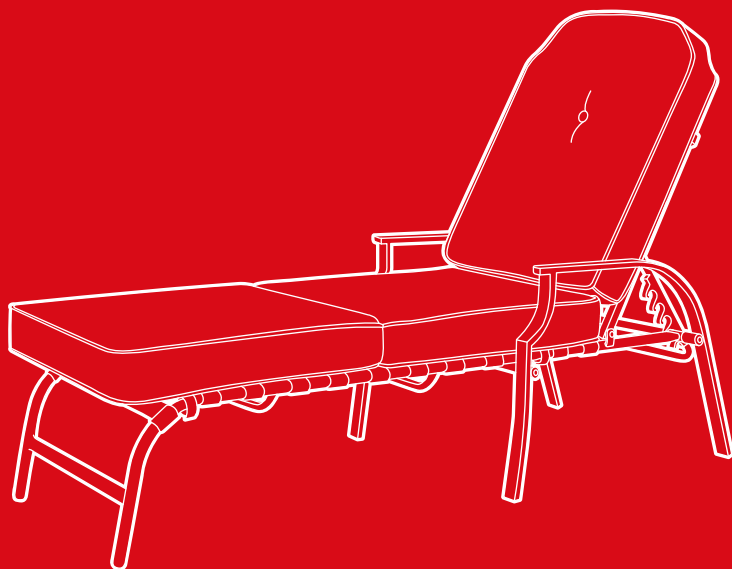




bestchoiceproducts



INSTRUCTION MANUAL

Outdoor Chaise Lounge Chair

TOOLS REQUIRED



250 LBS
CAPACITY



1 PERSON
ASSEMBLY



APPROXIMATELY
15 MIN.
ASSEMBLY

HARDWARE

1

M6x15mm
BOLT



4 PCS

2

M6x40mm
BOLT



2 PCS

3

NARROW
WASHER



6 PCS

4

WIDE WASHER



2 PCS

5

END CAP



6 PCS

6

NUT



2 PCS

7

ACORN NUT

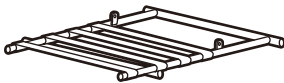


2 PCS

PARTS

A

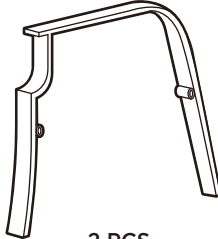
SEAT



1 PC

B

ARMREST



2 PCS

C

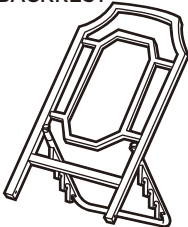
FOOTREST



1 PC

D

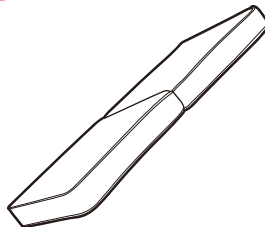
BACKREST



1 PC

E

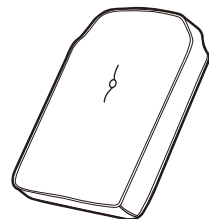
SEAT CUSHION



1 PC

F

BACKREST CUSHION



1 PC

! NOTICE

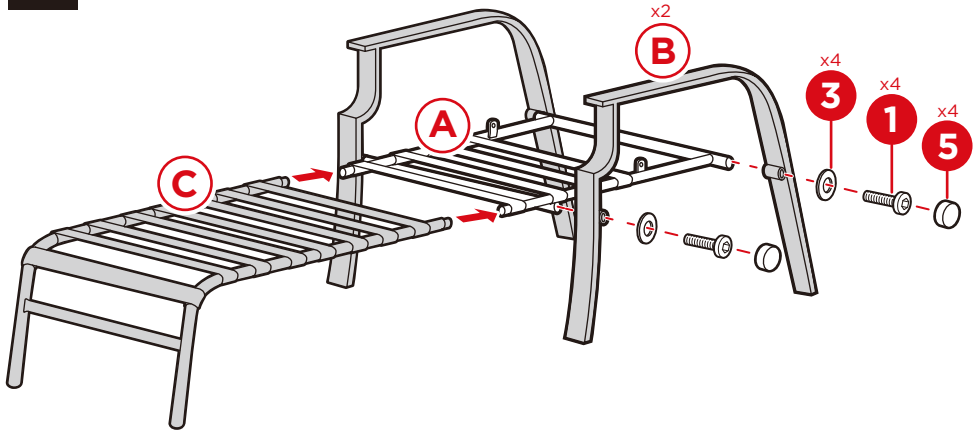
Please retain these instructions for future reference.

- If any parts are missing, broken, damaged, or worn, stop using this item until repairs are made and/or factory replacement parts are installed.
- Do not use this item in any way inconsistent with the manufacturer's instructions, as this could void the product warranty.

PRODUCT ASSEMBLY

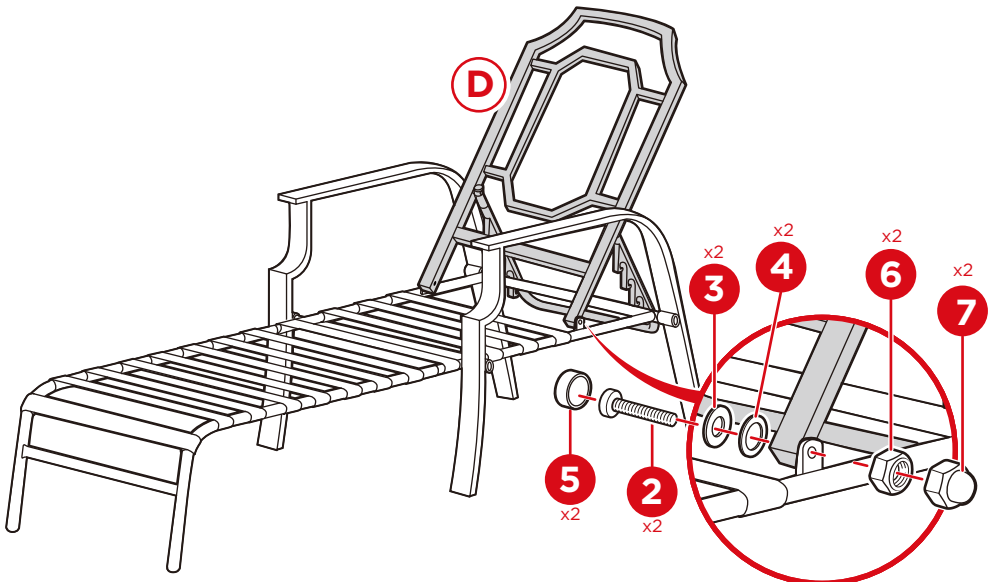
1

Attach a Part B armrest to the Part A seat using two Part 3 washers, two Part 1 bolts, and two Part 5 end caps. Repeat on opposite side. Attach the Part C footrest to the Part A seat.



2

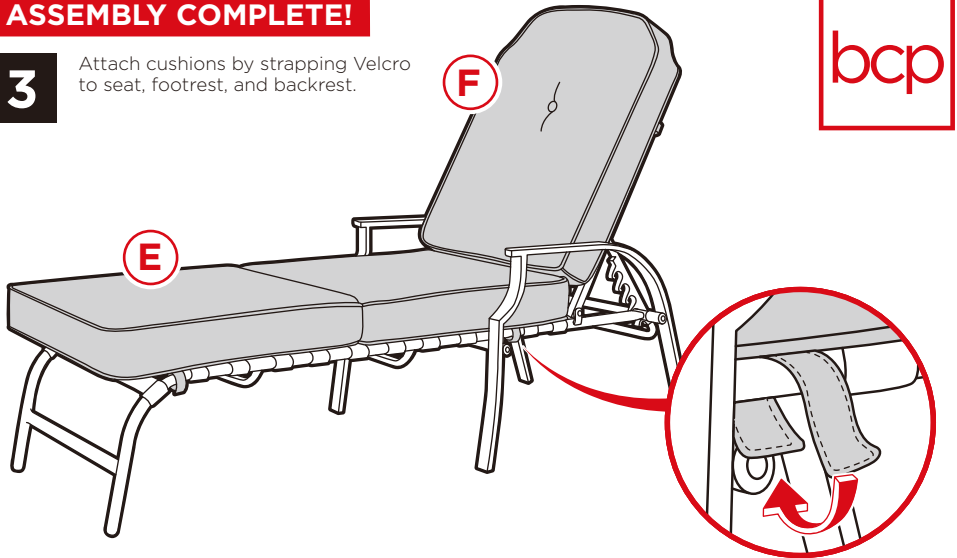
Connect the Part D backrest to the Part A seat using a Part 2 bolt, Part 3 washer, Part 4 washer, Part 5 end cap, Part 6 nut, and Part 7 acorn nut. Repeat on opposite side.



ASSEMBLY COMPLETE!

3

Attach cushions by strapping Velcro to seat, footrest, and backrest.



bcp

PRODUCT WARRANTY INFORMATION

All items can be returned for any reason within 60 days of the receipt and will receive a full refund as long as the item is returned in its original product packaging and all accessories from its original shipment are included. All returned items will receive a full refund back to the original payment method. All returned items will not be charged a re-stocking fee.

All returned items require an RA (Return Authorization) number, which can only be provided by a Best Choice Products Customer Service Representative when the return request is submitted. Items received without an RA may not be accepted or may increase your return processing time. Once an item has been received by Best Choice Products, refunds or replacements will be processed within 5 business days.

All returns must be shipped back to the Best Choice Products Return Center at the customer's expense. If the reason for return is a result of an error by Best Choice Products then Best Choice Products will provide a pre-paid shipping label via email. Boxes for return shipping will not be provided by Best Choice Products, and is the customer's responsibility to either use the original shipping boxes or purchase new boxes.

Pictures may be required for some returns to ensure an item is not damaged prior to its return. Items returned are not considered undamaged until they are received by Best Choice Products and verified as such. All damages to items are the customer's responsibility until the item has been received by and acknowledge by Best Choice Products as undamaged.

CONTACT US; WE'RE HERE 7 DAYS A WEEK TO HELP YOU!



bestchoiceproducts.com



customerservice@bestchoiceproducts.com



844.948.8400



[LEARN MORE!](#)

WARNING

Manufacturer and seller expressly disclaim any and all liability for personal injury, property damage or loss, whether direct, indirect, or incidental, resulting from the incorrect attachment, improper use, inadequate maintenance, or neglect of this product.