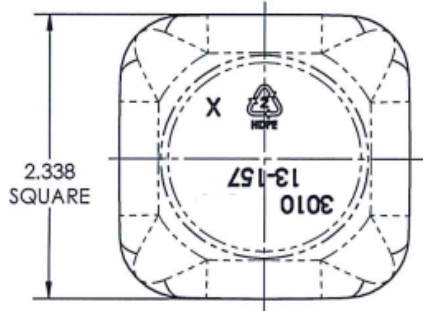


- THREAD NOTES:
1. 6 THREADS PER INCH
 2. 1.25 TURNS OF THREAD, THREAD START AT P/L
 3. TOTAL OF 10 RATCHETS 5 PER HALF



DISCLAIMER

THIS INFORMATION IS PROVIDED AS A GENERAL GUIDE, INCLUDING DIMENSIONS. IT IS THE CUSTOMER'S RESPONSIBILITIES TO SELECT THE PROPER CONTAINER FOR PRODUCT AND APPLICATION COMPATIBILITY.

DISTRIBUTED BY:



REF NO.:

DWG30657

DESCRIPTION:

16 oz HDPE Square Juice, 38-400, 20 Gram