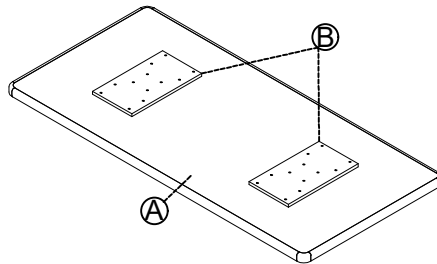


# ZINNIA PLASTER BASE DINING TABLE

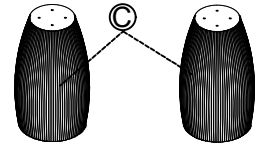
## ASSEMBLY INSTRUCTIONS



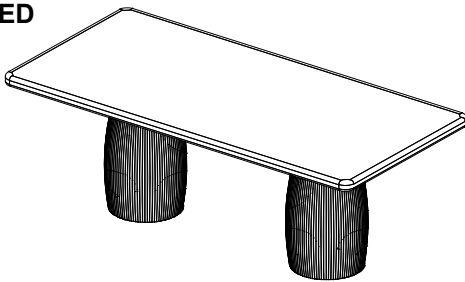
**BOX #1:**  
**A. TABLE TOP: 1 PC**  
**B. SUPPORT PLATE: 2 PCS**



**BOX #2:**  
**C. LEG: 2 PCS**



**FULLY ASSEMBLED**

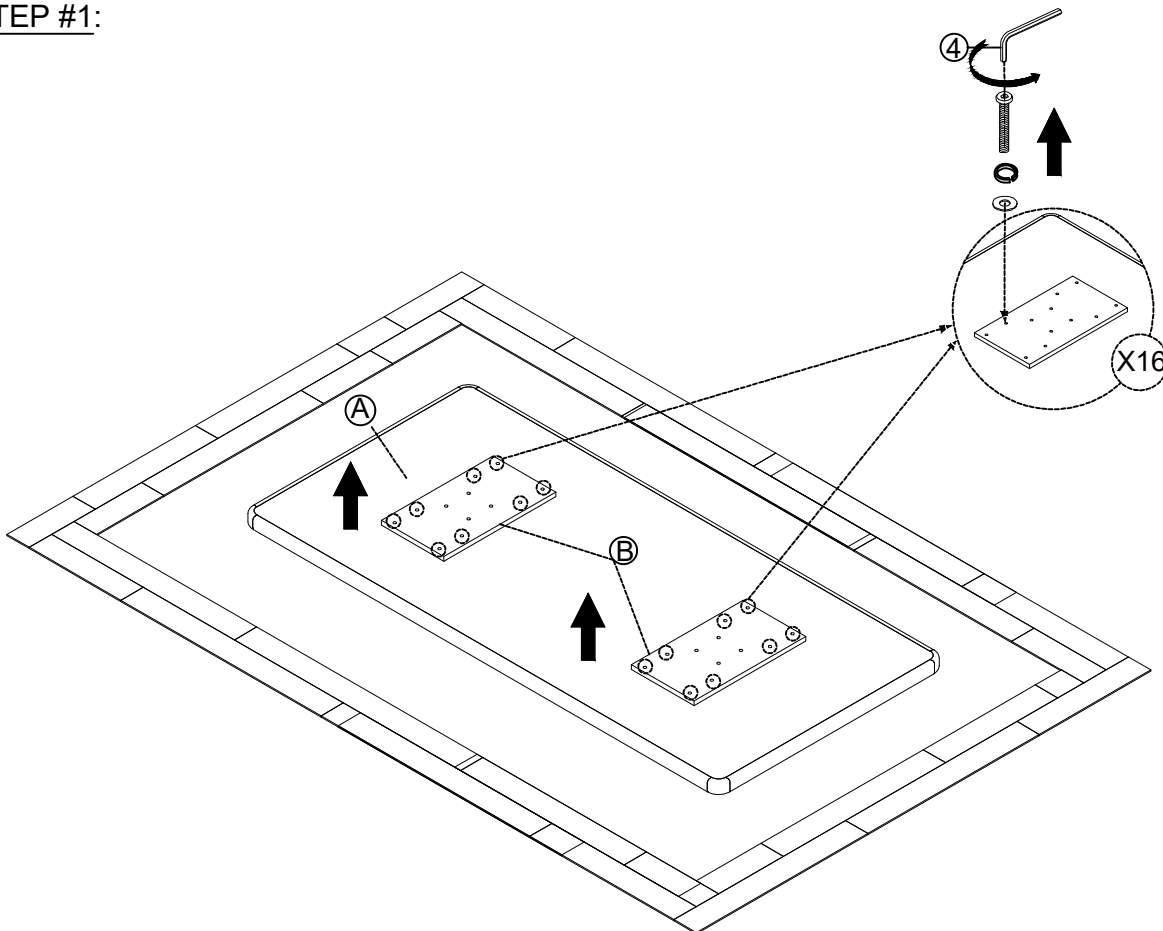


### HARDWARE KIT PACKED IN BOX #1

NO.	DESCRIPTION	IMAGE	QUANTITY
1	ALLEN BOLT (5/16"x 1-3/4")		8 PCS
2	FLAT WASHER (5/16")		8 PCS
3	SPRING WASHER (5/16")		8 PCS
4	ALLEN KEY (5mm)		1 PC



**STEP #1:**

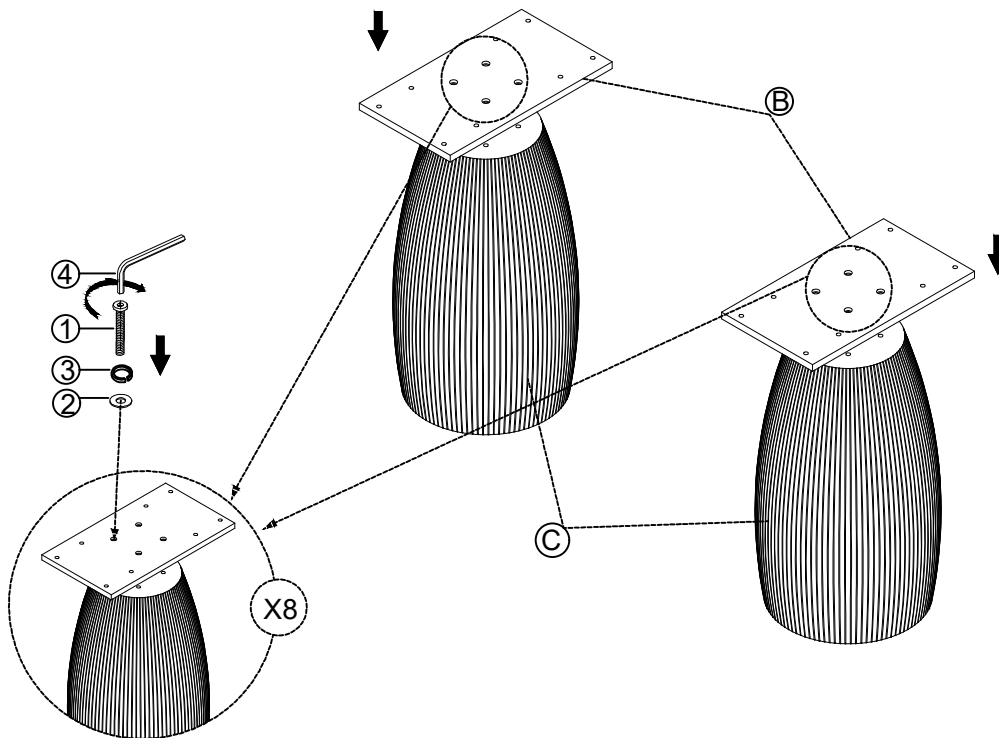


# ZINNIA PLASTER BASE DINING TABLE

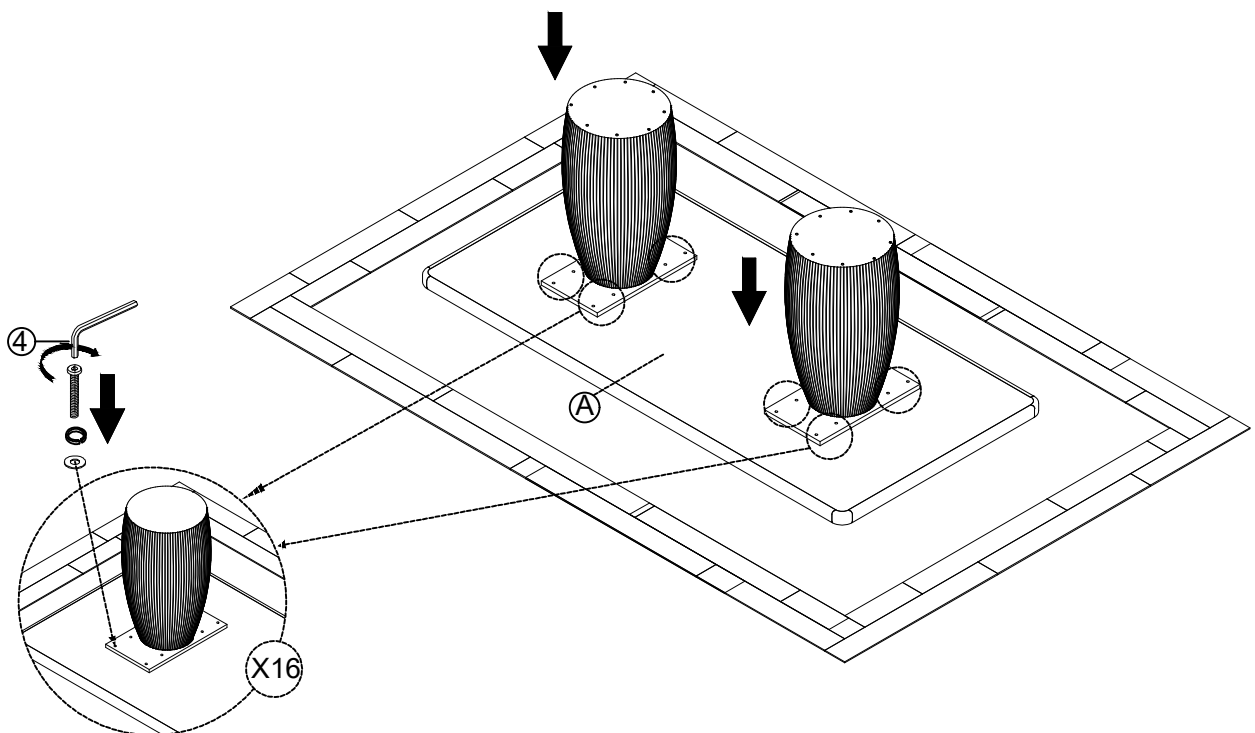
## ASSEMBLY INSTRUCTIONS



### STEP #2:



### STEP #3:

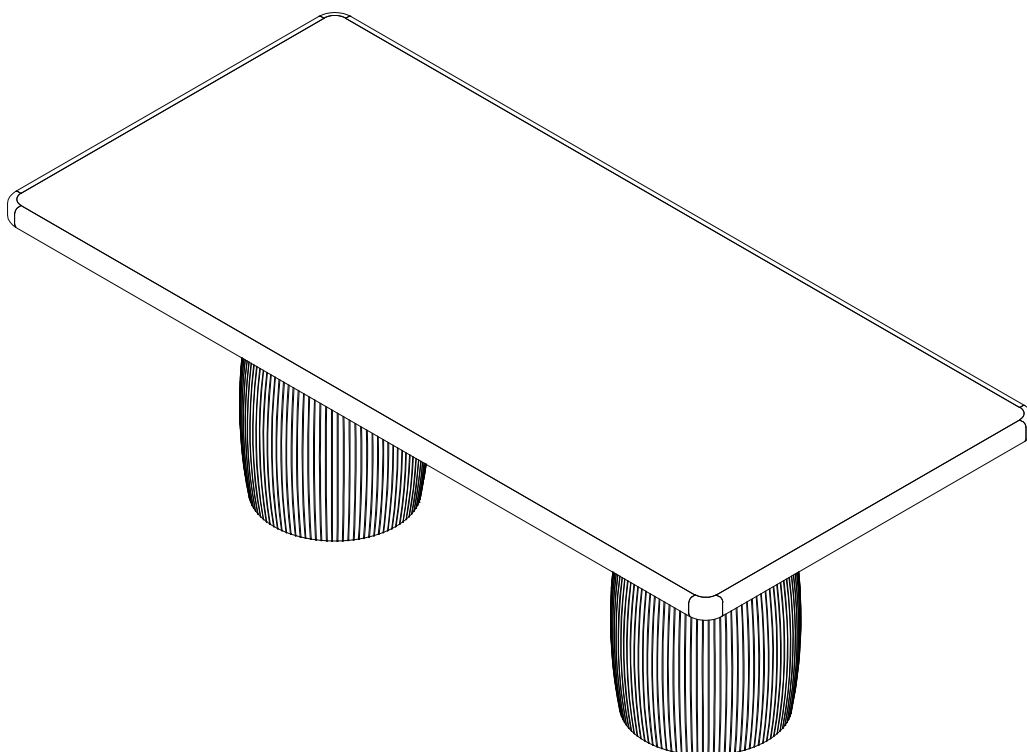
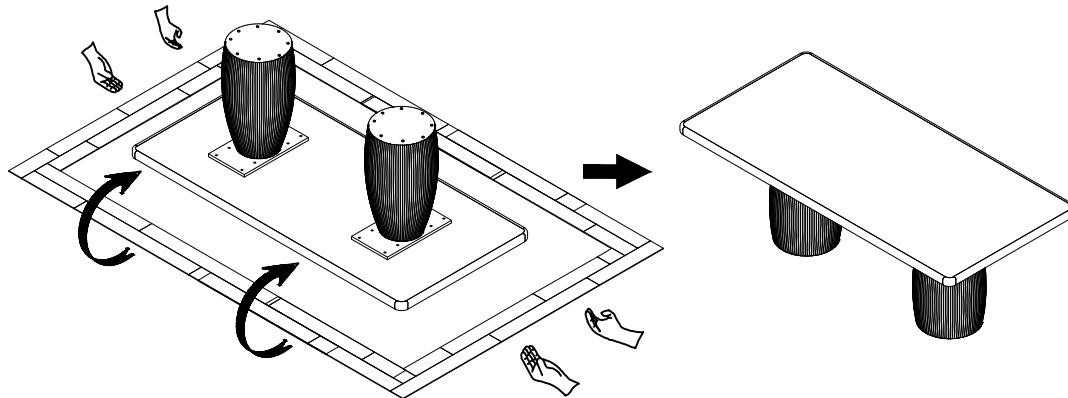


# ZINNIA PLASTER BASE DINING TABLE

## ASSEMBLY INSTRUCTIONS



STEP #4:



ASSEMBLY COMPLETE