



bestchoiceproducts



INSTRUCTION MANUAL

Utility Kitchen Cart with Storage



bestchoiceproducts

Thank you for choosing us! Since 2002, Best Choice Products has been bringing customers high-quality products at the absolute lowest price. With everything ranging from instruments and toys to furniture and outdoor, we've got your everyday living essentials covered. We're centered around a customer-first philosophy - with free shipping, exceptional customer service, and a catalog sourced with you in mind.

! NOTICE

Please retain these instructions for future reference.

- Please do not exceed the weight limitations of this item.
- Do not stand on or use any part of this item as a step ladder.
- Firmly secure all bolts, screws and knobs before use.
- Reconfirm that all bolts, screws, and knobs are secure every 90 days.
- Do not use or store this item in the proximity of open flame or flammable/combustible chemicals.
- If any parts are missing, broken, damaged, or worn, stop using this item until repairs are made and/or factory replacement parts are installed.
- Do not use this item in a way inconsistent with the manufacturer's instructions as this could void the product warranty.
- To wipe down the furniture, use a damp cloth. Then, wipe it down once more with a dry cloth.

TOOLS REQUIRED



PHILLIPS
SCREWDRIVER



300 LBS
CAPACITY






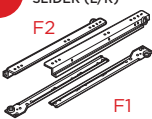




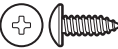




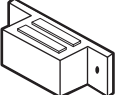



1 PERSON
ASSEMBLY

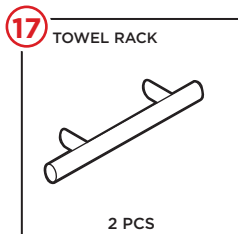
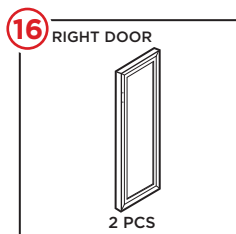
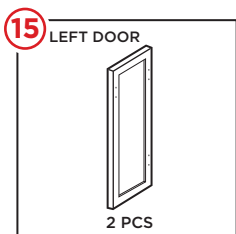
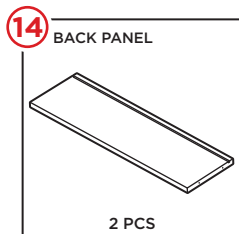
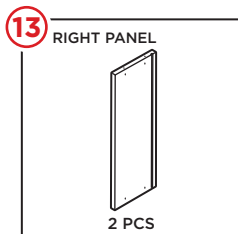
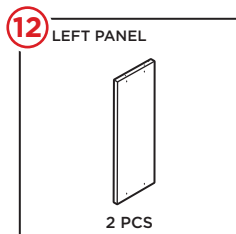
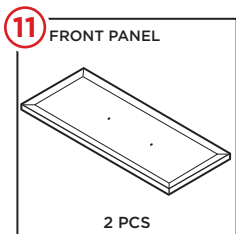
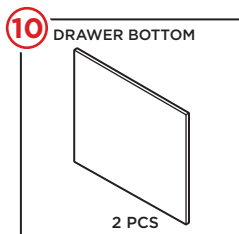
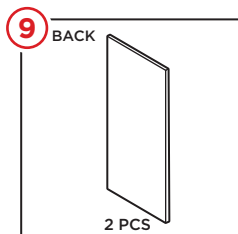
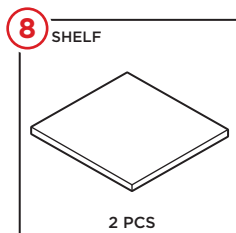
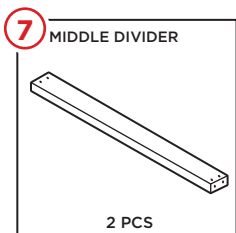
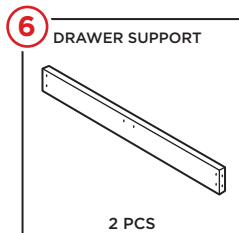
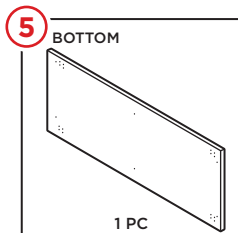
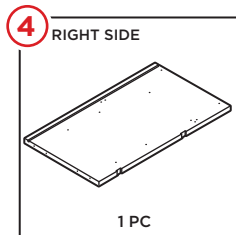
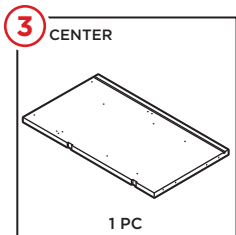
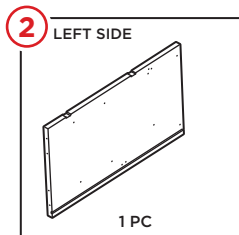
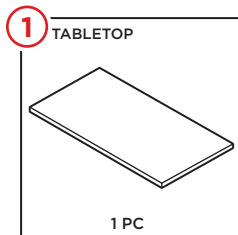


APPROXIMATELY
60 MIN.
ASSEMBLY

HARDWARE

A M6 x 35mm CAM BOLT  30 PCS	B M10 x 15mm CAM LOCK  30 PCS	C M6 x 30mm DOWEL  12 PCS	D M3 x 12mm SCREW  52 PCS	E M4 x 30mm SCREW  8 PCS
F SLIDER (L/R) F2 F1  2 SETS	G HANDLE  6 PCS	H M4 x 20mm SCREW  12 PCS	I 4 x 35mm SCREW  6 PCS	J LOCKING CASTER  4 PCS
K M4 x 12mm SCREW  16 PCS	L M4 x 35mm SCREW  4 PCS	M HINGE  8 PCS	N METAL PLATE  4 PCS	O PEG  8 PCS
P MAGNET  2 PCS	Q M3 x 14mm SCREW  4 PCS			

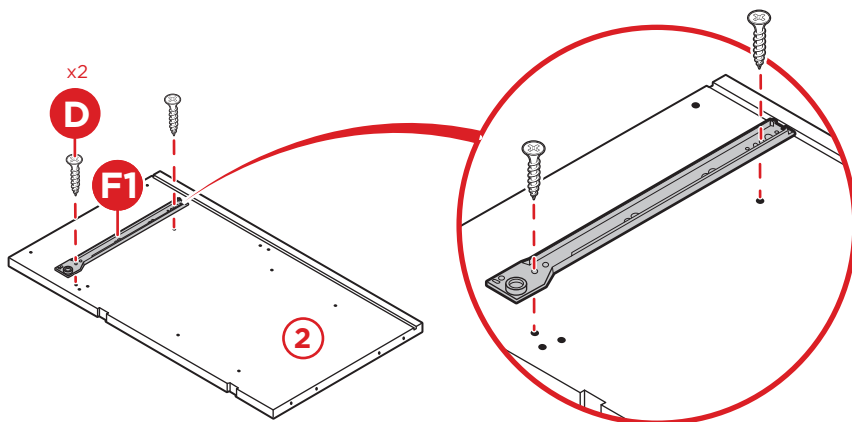
PARTS



PRODUCT ASSEMBLY

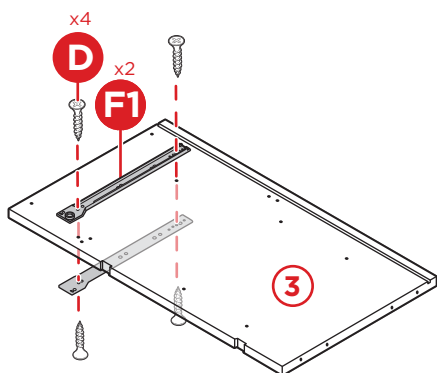
1

Attach a F1 railing from a part F slider set to the part 2 left side with two part D screws.



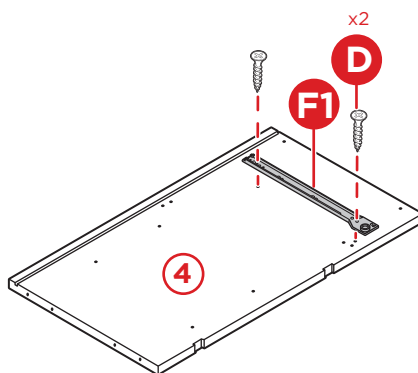
2

Attach two F1 railings from the slider sets to the part 3 center piece with four part D screws. Attach one railing on each side.



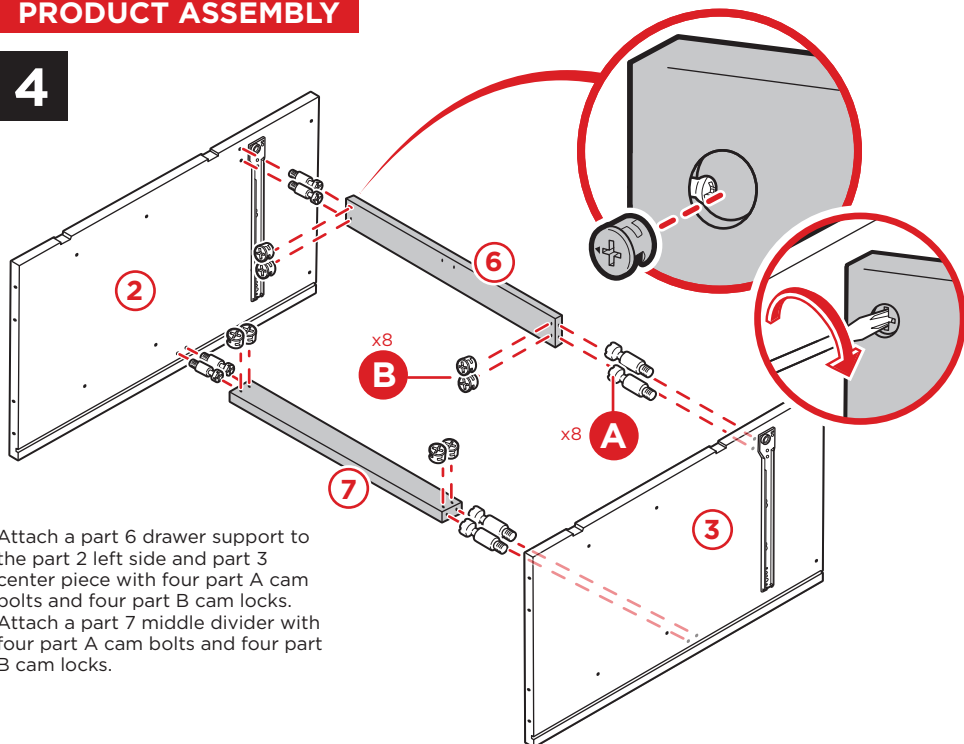
3

Attach a F1 railing from a slider set to the part 4 right side with two part D screws.



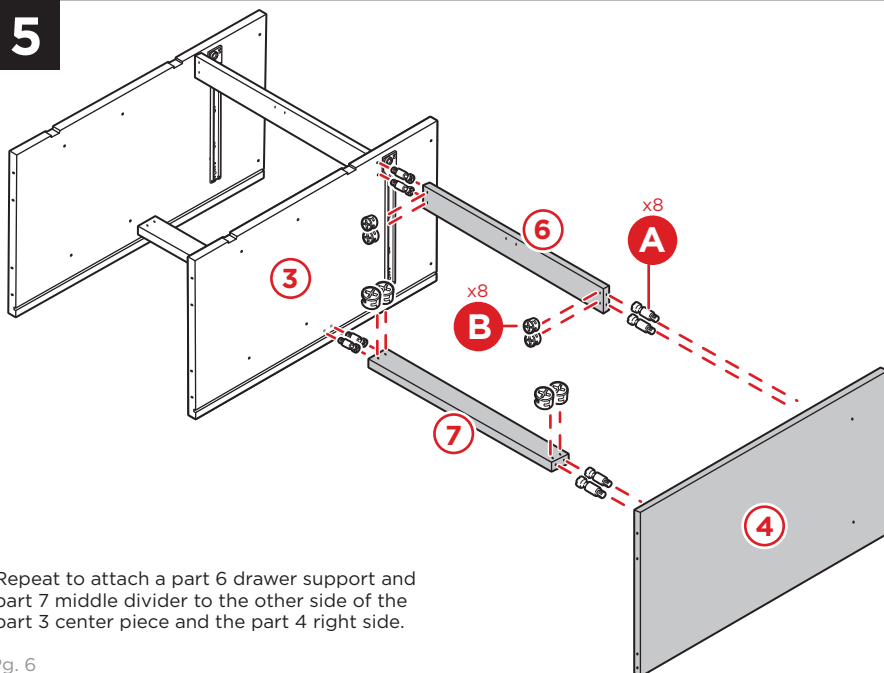
PRODUCT ASSEMBLY

4



Attach a part 6 drawer support to the part 2 left side and part 3 center piece with four part A cam bolts and four part B cam locks. Attach a part 7 middle divider with four part A cam bolts and four part B cam locks.

5

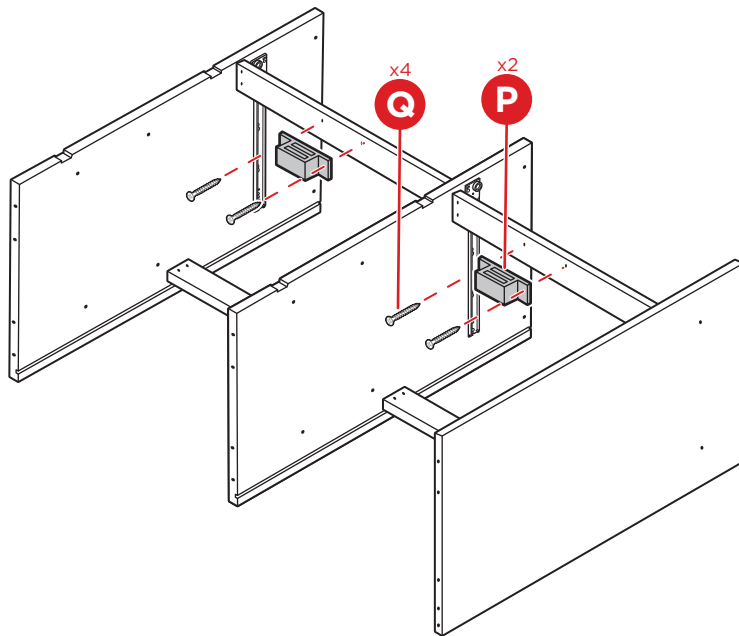


Repeat to attach a part 6 drawer support and part 7 middle divider to the other side of the part 3 center piece and the part 4 right side.

PRODUCT ASSEMBLY

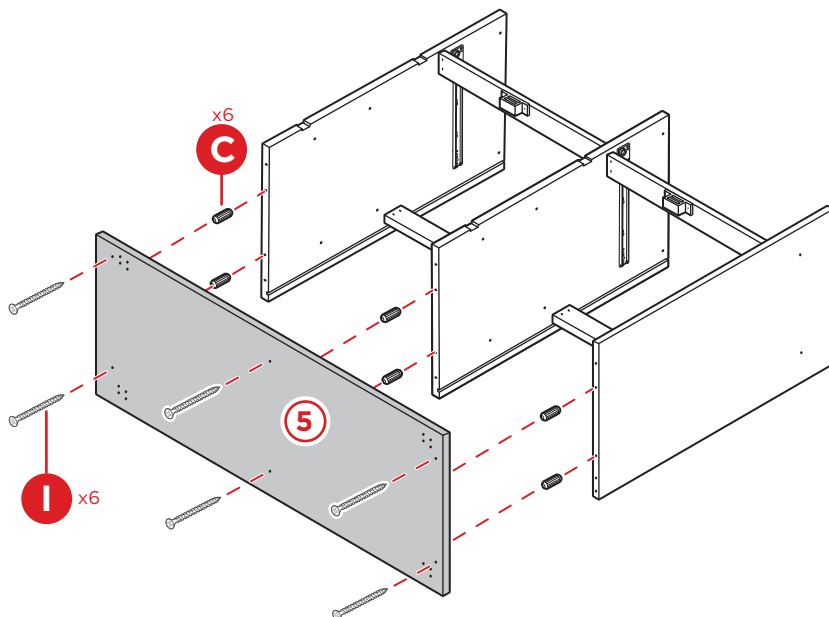
6

Attach two part P magnets to the drawer supports with four part Q screws.



7

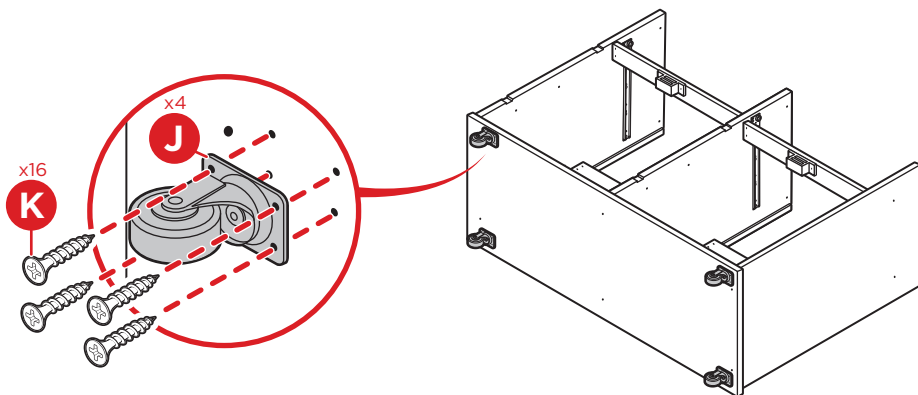
Attach the part 5 bottom piece with six part I screws and six part C dowels.



PRODUCT ASSEMBLY

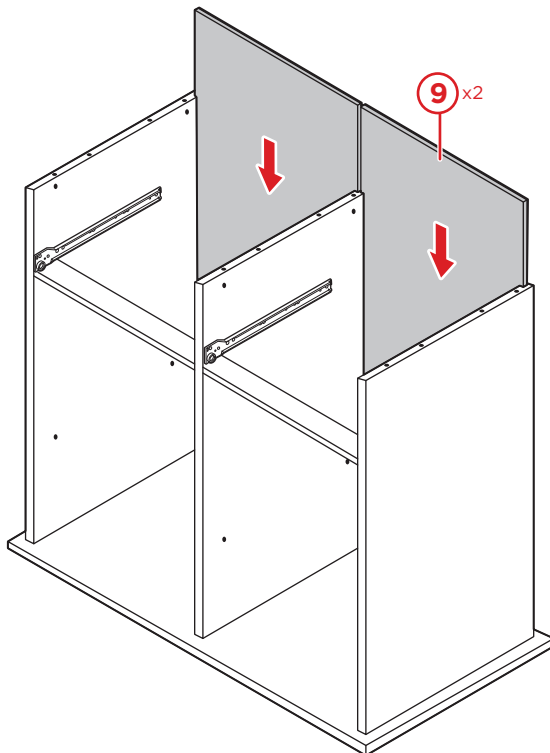
8

Attach four part J casters with sixteen part K screws, four screws per caster.



9

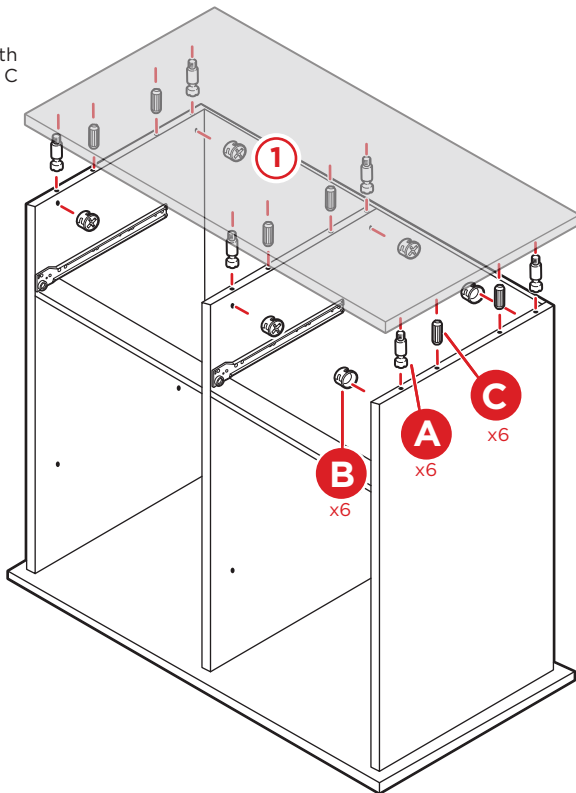
Stand the cart upright and slide in two part 9 back pieces.



PRODUCT ASSEMBLY

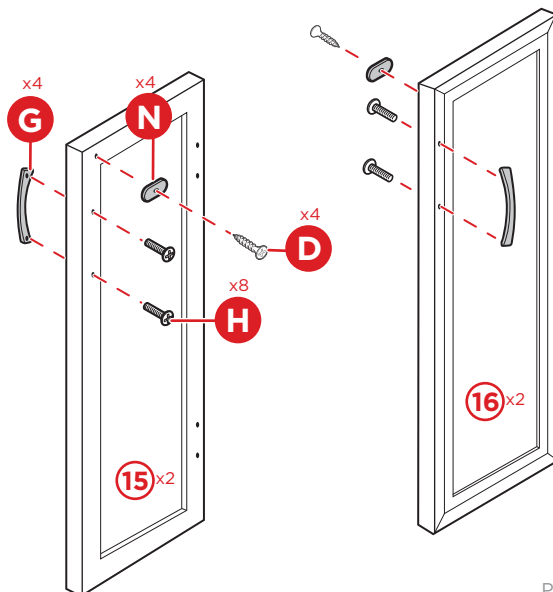
10

Attach the part 1 tabletop with six part A cam bolts, six part C dowels, and six part B cam locks. Turn the cam locks to secure the tabletop.



11

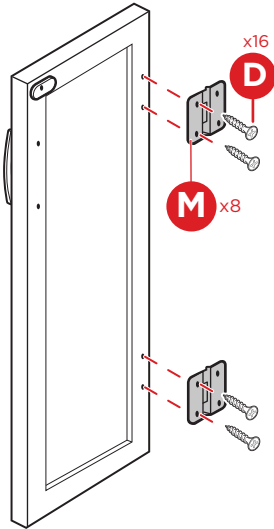
Attach a part G handle to a part 15 left door with two part H screws. Attach a part N metal plate with a part D screw. Repeat to attach handles/metal plates to another part 15 left door and two part 16 right doors.



PRODUCT ASSEMBLY

12

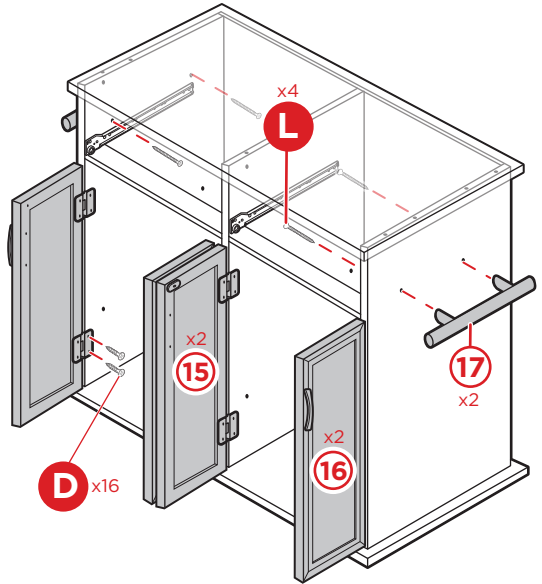
Attach eight part M hinges to left/right doors with sixteen part D screws, two screws per hinge.



13

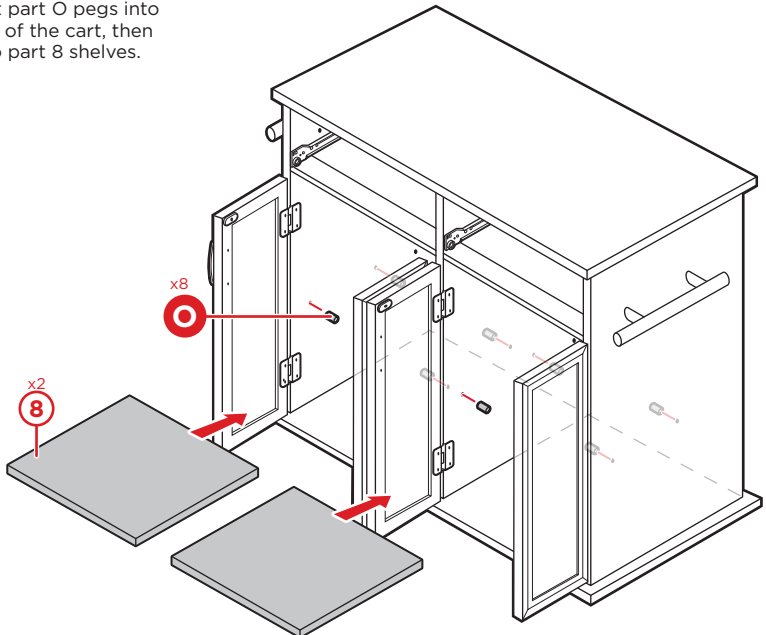
Attach a part 15 left door and part 16 right door with eight part D screws, two screws per hinge. Repeat to attach the other set of doors.

Attach two part 17 towel racks with four part L screws, two screws per rack.



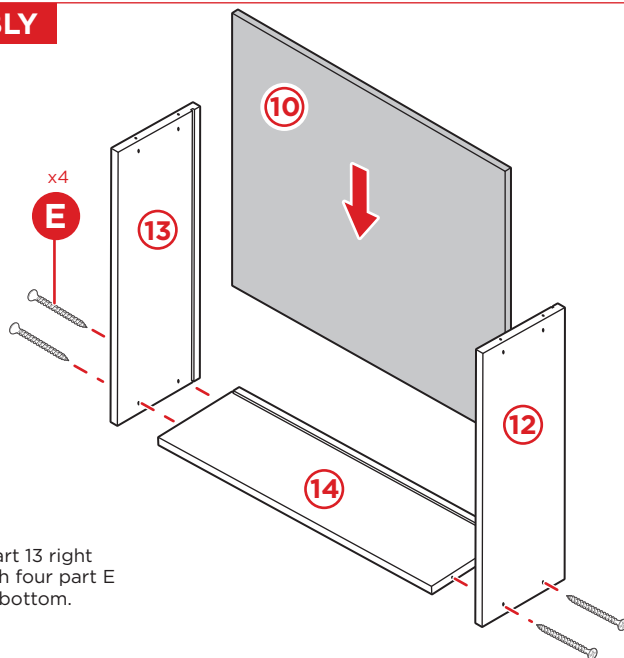
14

Insert eight part O pegs into the interior of the cart, then slide in two part 8 shelves.



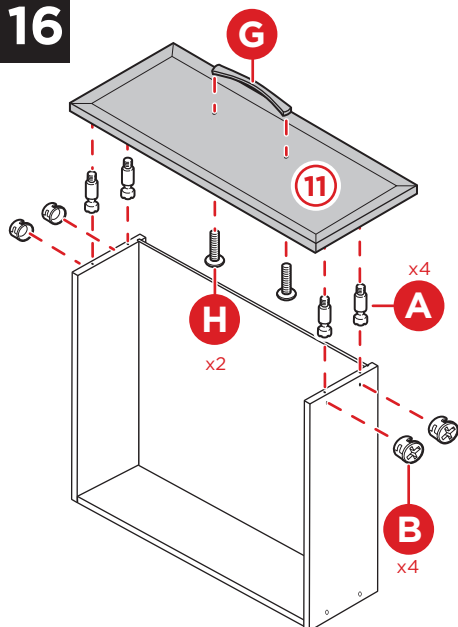
PRODUCT ASSEMBLY

15



Attach a part 12 left panel and part 13 right panel to a part 14 back panel with four part E screws. Slide in a part 10 drawer bottom.

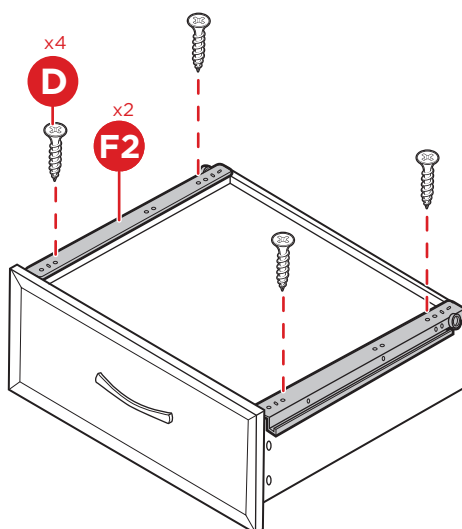
16



Attach a part G handle to the part 11 front panel with two part H screws.

Attach the front panel with four part A cam bolts and four part B cam locks. Turn the cam locks to secure the front panel.

17



Attach two F2 railings from a part F slider set to the drawer with four part D screws.

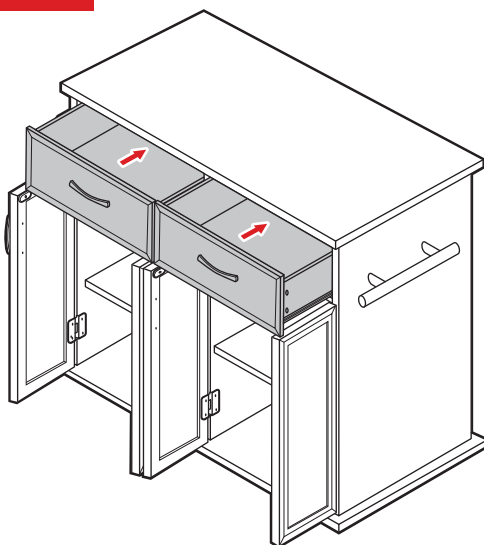
Repeat steps 15 to 17 to build another drawer.

ENJOY YOUR PRODUCT!

18

Insert the drawers by lining up the railings on the slider sets.

bcp



PRODUCT WARRANTY INFORMATION

All items can be returned for any reason within 60 days of the receipt and will receive a full refund as long as the item is returned in its original product packaging and all accessories from its original shipment are included. All returned items will receive a full refund back to the original payment method. All returned items will not be charged a re-stocking fee.

All returned items require an RA (Return Authorization) number, which can only be provided by a Best Choice Products Customer Service Representative when the return request is submitted. Items received without an RA may not be accepted or may increase your return processing time. Once an item has been received by Best Choice Products, refunds or replacements will be processed within 5 business days.

All returns must be shipped back to the Best Choice Products Return Center at the customer's expense. If the reason for return is a result of an error by Best Choice Products then Best Choice Products will provide a pre-paid shipping label via email. Boxes for return shipping will not be provided by Best Choice Products, and is the customer's responsibility to either use the original shipping boxes or purchase new boxes.

Pictures may be required for some returns to ensure an item is not damaged prior to its return. Items returned are not considered undamaged until they are received by Best Choice Products and verified as such. All damages to items are the customer's responsibility until the item has been received by and acknowledge by Best Choice Products as undamaged.

CONTACT US; WE'RE HERE 7 DAYS A WEEK TO HELP YOU!



bestchoiceproducts.com



customerservice@bestchoiceproducts.com



844.948.8400



LEARN MORE!

WARNING

Manufacturer and seller expressly disclaim any and all liability for personal injury, property damage or loss, whether direct, indirect, or incidental, resulting from the incorrect attachment, improper use, inadequate maintenance, or neglect of this product.