



# Dual Inlet Bottled Water System Plus

DISPENSING SYSTEM

**The NEW Eco-Friendly Bottled Water System Plus is part of Flojet's premium water dispensing product line.**

When a water bottle is connected to the system, fresh water is available for use with coffee/tea machines, water dispensers, refrigerators, ice makers, or any other application where portable potable water is needed.

The Bottled Water System Plus is also designed for convenience -- the pump shuts off when the water source is depleted, and when water is restored, the pump will automatically restart. This eliminates the chance of any damage to the pump and control box from running dry.

## Features and Benefits

- **Illuminated On/Off Switch:** Provides clear visibility in dark cabinets or hard to reach places
- **Long Life Motor:** Ensures years of reliable operation
- **Flojet Diaphragm Pump:** Provides dependable run dry capabilities, extending the life of the pump
- **Quick Disconnect Port:** Allows for easy wand replacement in seconds
- **Quiet Operation:** Equipped with noise dampening rubber feet to minimize noise pollution
- **Thermal Protection:** Prevents overheating, protecting the pump and control box from damage
- **New Ergonomic T-Shaped Wand Handle:** Allows for ease of installation and removal of wand from bottle



**FLOJET**  
a xylem brand

# Dual Inlet Bottled Water System Plus

## DISPENSING SYSTEM



### Special Features

- Patented "T" Design on suction
- Built-in check valve to prevent back flow
- Universal seal cap fits most water containers
- Easy installation
- 20' (6.1m) 0.250" (0.5cm) OD discharge hose included
- Power Transformer AC-DC
- Quick connect ports for easy installation

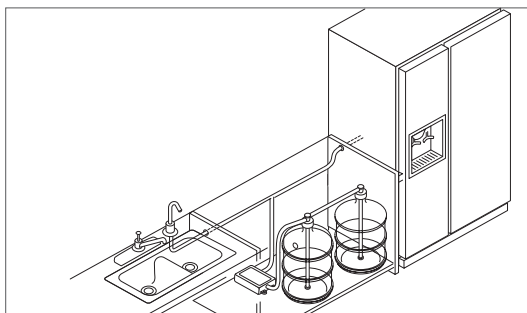
### Specifications

Flow Rate	1.10 GPM (4.10 LPM)
Max Pressure	40 psi (2.76 bar)
Dimensions	2.7"H x 5.4"W x 8.5"D (6.86cm H x 13.72cm W x 21.60cm D)
Voltages	115V AC, 230V AC
Amp Draw	115 V AC, 0.5 amp max 230 V AC, 0.3 amp max
Cycles	50/60 Hz for AC models
Weight	4.5lbs (2.04kg)

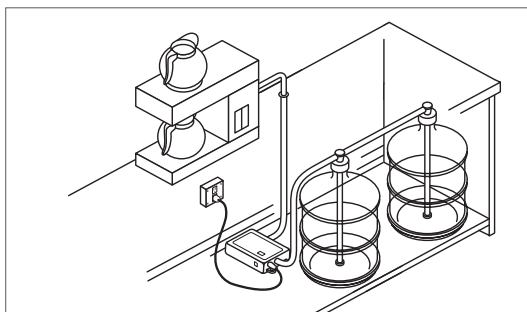
### Model Numbers

#### Dual Inlet

BW1020A	115V	3.5ft (1m) cord with plug
BW4020-000A	115V	dual inlet US plug
BW4022-000A	230V	dual inlet AU plug
BW4023-000A	230V	dual inlet UK plug
BW4024-000A	230V	dual inlet EU plug



Kitchen / Refrigerator with Dual Inlet BW System



Coffee Cart / Kiosk with Dual Inlet BW System

### Kits

- 22000006A BWII Single Inlet Wand Kit
- 22000007A BWII Dual Inlet Wand Kit
- 20465010 1/4" Discharge hose/tube Kit
- 20465035 BWII Nut, Sleeve & Port Fitting Kit
- 20465015 US Power Transformer Kit
- 20465020 AU Power Transformer Kit
- 20465025 UK Power Transformer Kit
- 20465030 EU Power Transformer Kit



Warranty: All products of the company are sold and all services of the company are offered subject to the company's warranty and terms and conditions of sale, copies of which will be furnished upon request. The information provided herein is for guidance only, it does not constitute a guarantee of the performance or specification of any individual product or component.

[www.xyleminc.com](http://www.xyleminc.com)

USA  
Xylem, Inc.  
17942 Cowan  
Irvine, CA 92614  
Tel: (949) 608-3900  
Fax: (949) 609-3887

UK  
Xylem, Inc.  
Patrick Gregory Road,  
West Midlands, WV11 3DZ, UK  
Tel: +44 (0) 1902-305678  
Fax: +44 (0) 1902-305676

GERMANY  
Xylem, Inc.  
Oststrasse 28  
22844 Norderstedt  
Tel: +49-40-53 53 73-0  
Fax: +49-40-53 53 73-11

JAPAN  
NHK Jabsco Company Ltd.  
3-21-10, Shin-Yokohama  
Kohoku-Ku, Yokohama, 222-0033  
Tel: +81-045-475-8906  
Fax: +81-045-477-1162

ITALY  
Xylem, Inc.  
Via Tommaseo, 6  
20059 Vimercate, Milano  
Tel: +39 039 685 2323  
Fax: +39 039 666 307