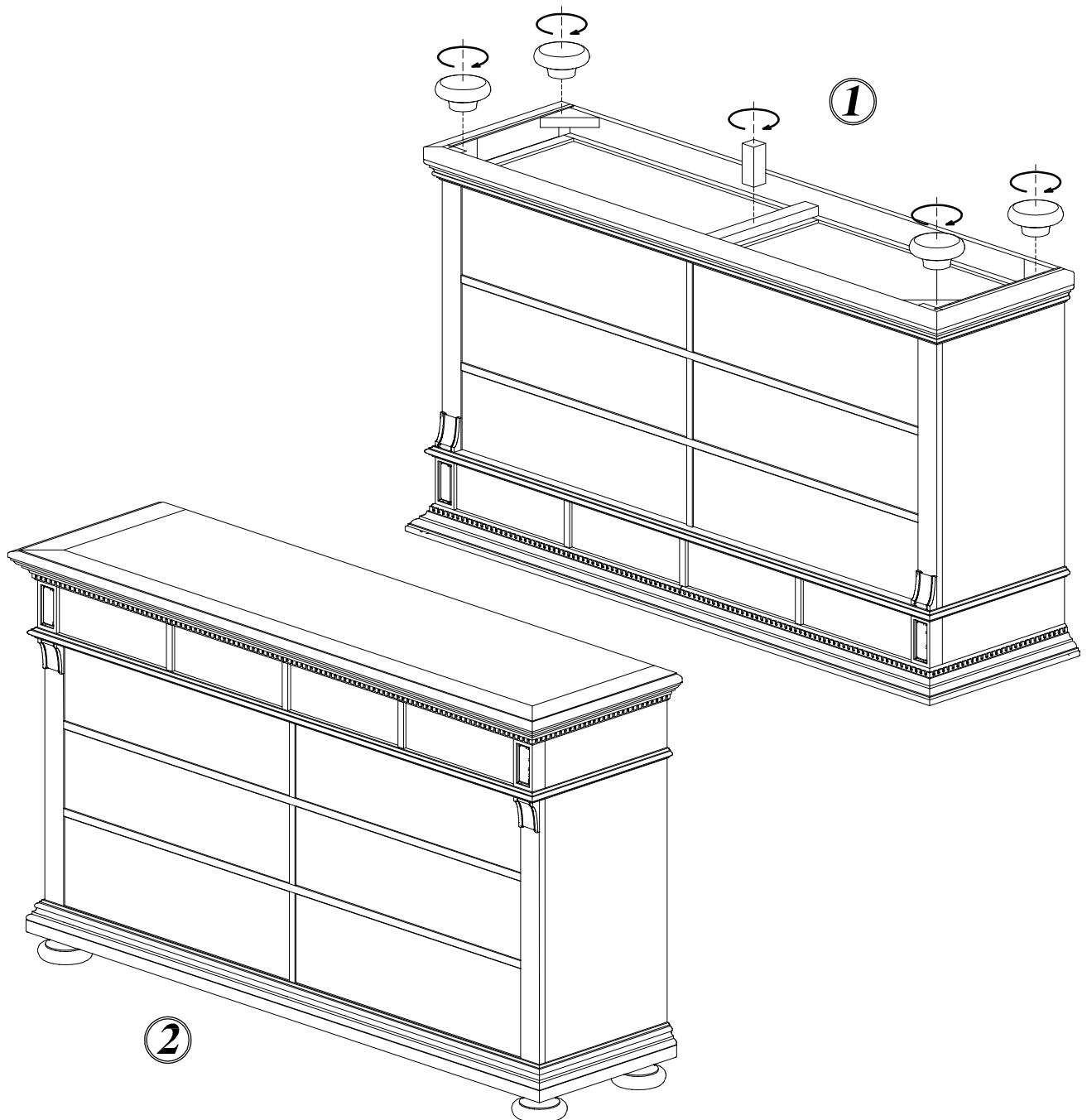


HEKMAN

A HOWARD MILLER COMPANY

ASSEMBLY INSTRUCTIONS

25260/25460 - DRESSER



PLACE THE DRESSER UPSIDE DOWN ON SOFT AND CLEAN SURFACE TO PREVENT SCRATCHING

- 1. ASSEMBLE THE LEGS INTO THE DRESSER THEN TURN OVER IT CLOCKWISE*
- 2. SET THE DRESSER UPRIGHT*

MADE IN INDONESIA