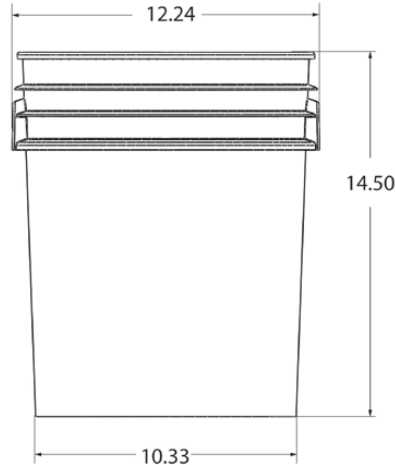


# 5 Gallon Round UN Container

## Features

- UN Package for Liquid hazardous materials when used with 5LUND lid
- Universal container base for UN and non-UN applications
- Optimized height reduces spillage during filling and capping
- Heat transfer decoration and 6 color offset print capability
- Accepts plastic or metal handle



**PRODUCT CODE**.....5UND (TU5G90DMUNL)

**COMPATIBLE LIDS**..... 5LUND & 5LTB

## SPECIFICATIONS

Height.....14.50"  
 Outer Diameter.....12.24"  
 Thickness......90 mil  
 Print Area.....31" x 8.25"  
 Resin.....HDPE

## VOLUME

Practical Fill w/ 5LUND.....5.00 gal. / 18.93 liters  
 Practical Fill w/ 5LTBU or 5LTB.....5.30 gal. / 20.06 liters

## PACKAGING

Pack Count.....120  
 Pack Dimensions.....48.9" x 36.6" x 49.6"  
 Cubic Feet.....51.3  
 Packs per Pallet.....2

### DISCLAIMER

THIS INFORMATION IS PROVIDED AS A GENERAL GUIDE, INCLUDING DIMENSIONS. IT IS THE CUSTOMER'S RESPONSIBILITIES TO SELECT THE PROPER CONTAINER FOR PRODUCT AND APPLICATION COMPATIBILITY.

DISTRIBUTED BY:



REF NO.:

DWG30462

DESCRIPTION:

5 Gallon HDPE OH Pail