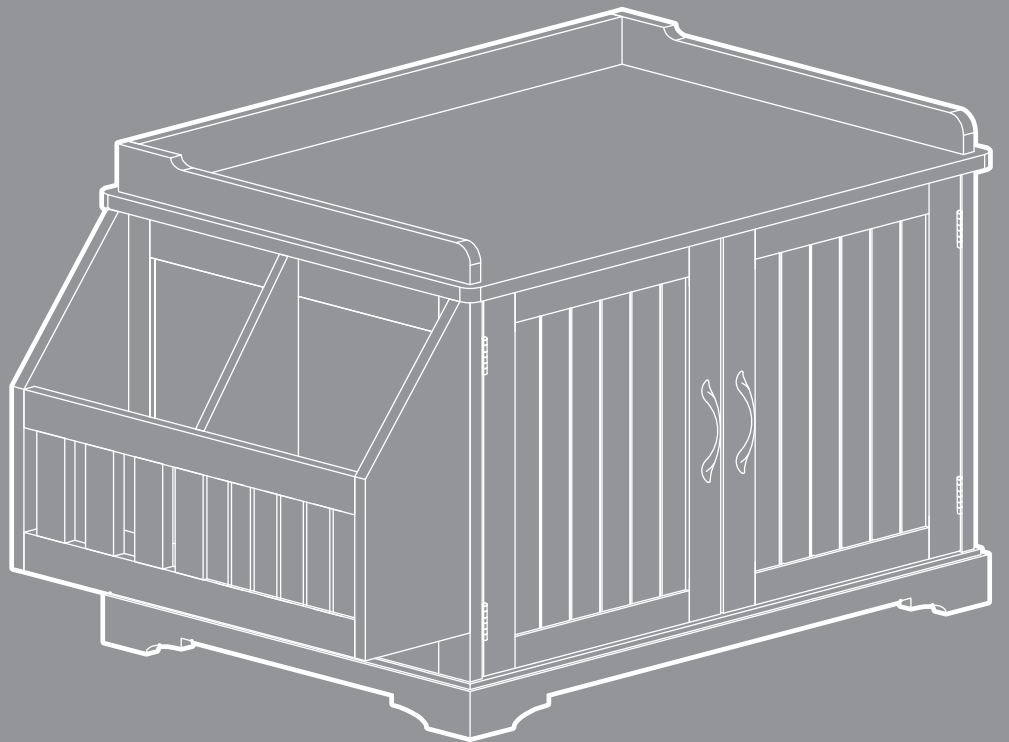


bcp

bestchoiceproducts



# INSTRUCTION MANUAL

---

Cat Litter Box

Ver. 1

SKY5471 + SKY5475



**bestchoice**products

---

As shoppers, we're always trying to find the perfect balance between quality & value. At BCP, we believe we've achieved that. Our diverse catalog of everyday essentials is tailored especially to our customers & guaranteed to hit that sweet spot of high quality & low price.

———— **Always.** ————

## ! NOTICE

Please retain these instructions for future reference.

- Do not stand on or use any part of this item as a step ladder.
- Firmly secure all bolts, screws, and knobs before use.
- Reconfirm that all bolts, screws, and knobs are secure every 90 days.
- This product should be assembled by an adult.
- This product should be used on a flat surface.
- This product is for pet use only.
- Read all instructions carefully before starting assembly.
- Do not let any sharp objects touch or rub the surface of the product.
- When assembling, do not let children play around the working area.
- Confirm all parts are correct before starting the assembly process.
- Do not tighten all bolts and screws completely until the entire unit has been assembled.
- Do not use or store this item in the proximity of open flame or flammable/combustible chemicals.
- Do not sit or stand on this product.
- If any parts are missing, broken, damaged, or worn, stop using this item until repairs are made and/or factory replacement parts are installed.
- Do not use this item in a way inconsistent with the manufacturer's instructions as this could void the product warranty.

## TOOLS REQUIRED



SCREWDRIVER  
MULTITOOL  
(PROVIDED)



ALLEN WRENCH  
(PROVIDED)

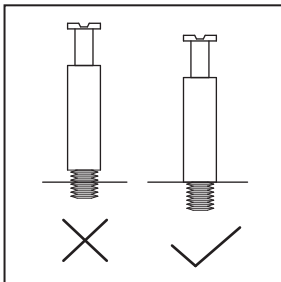


2 PERSON  
ASSEMBLY

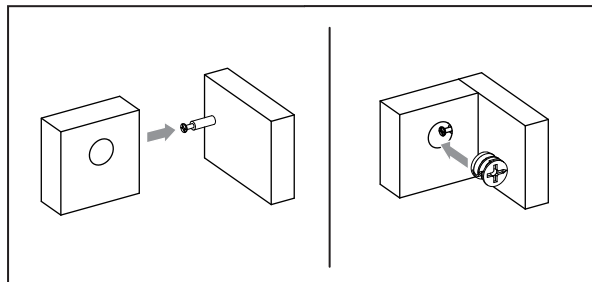


APPROXIMATELY  
60 MIN.  
ASSEMBLY

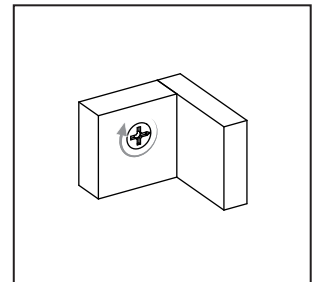
## TIGHTENING CAMLOCKS



1. Screw cam bolt  
in completely.

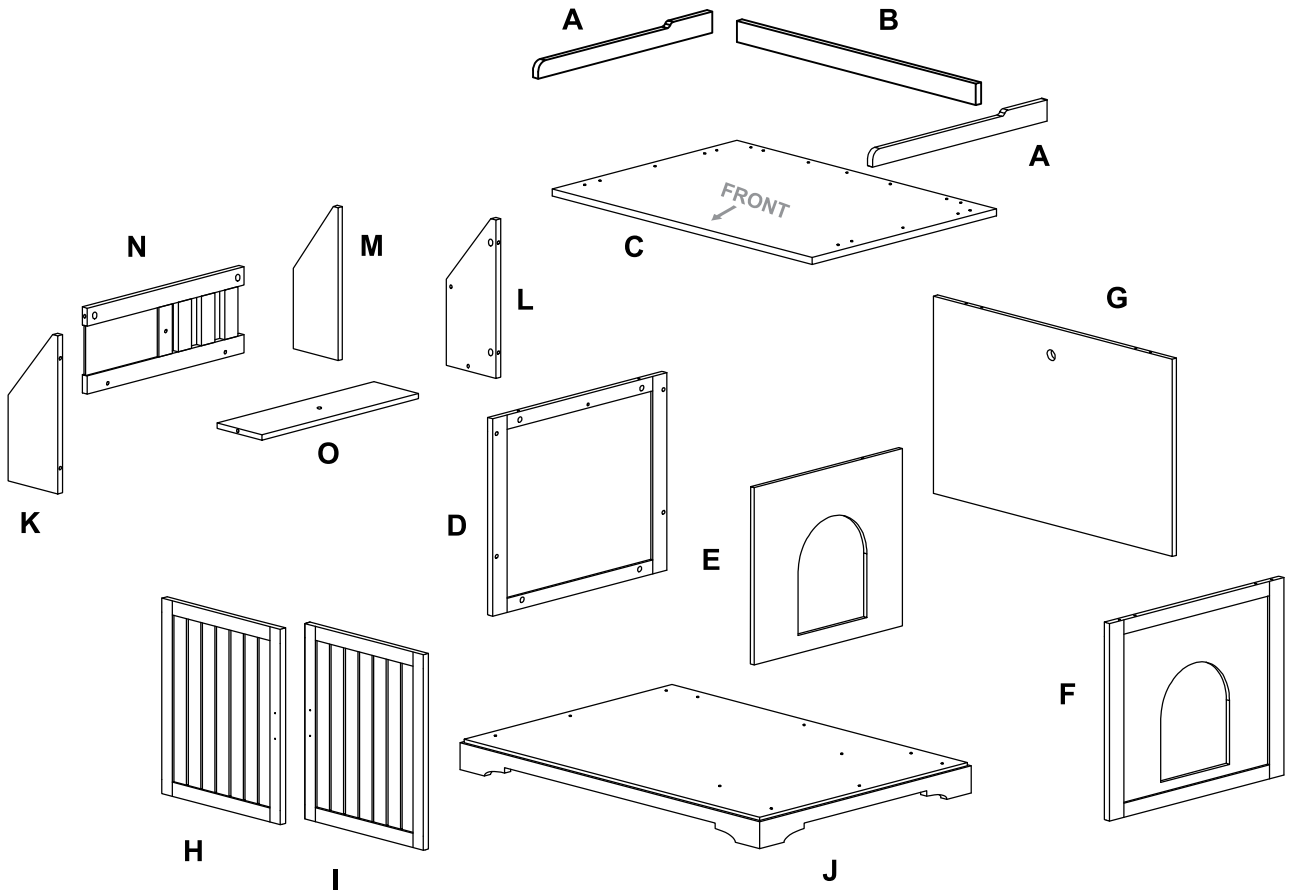




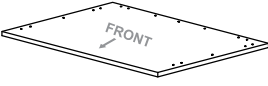
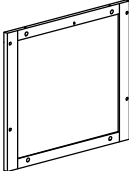
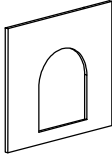
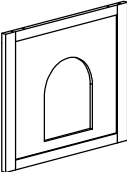
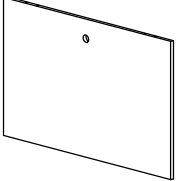
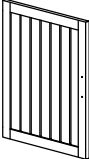
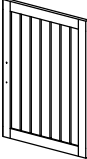
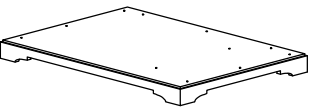
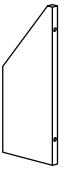
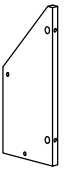

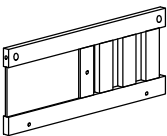
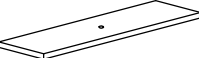
2. Insert cam bolt and cam lock into  
designated holes.



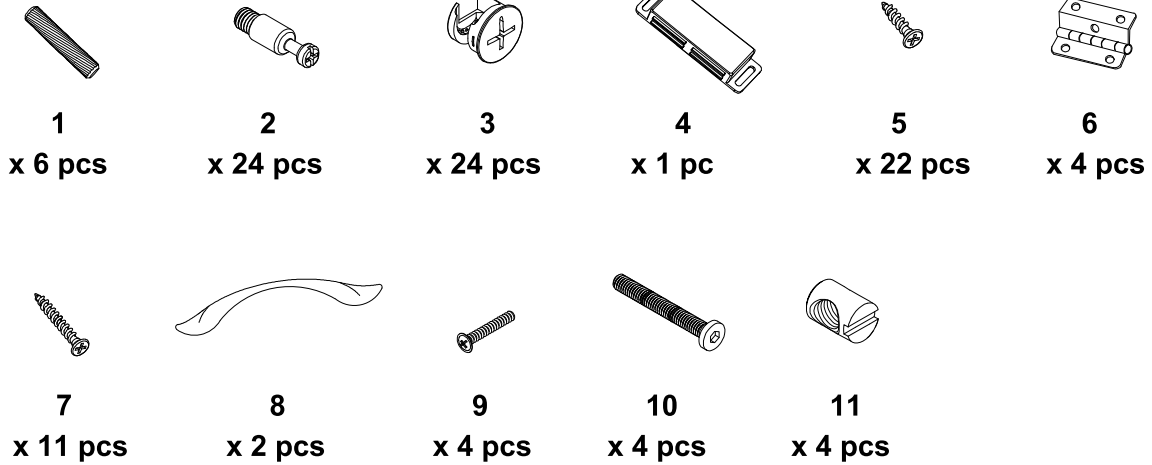
3. Screw cam lock  
clockwise to secure  
cam bolt.

# PARTS



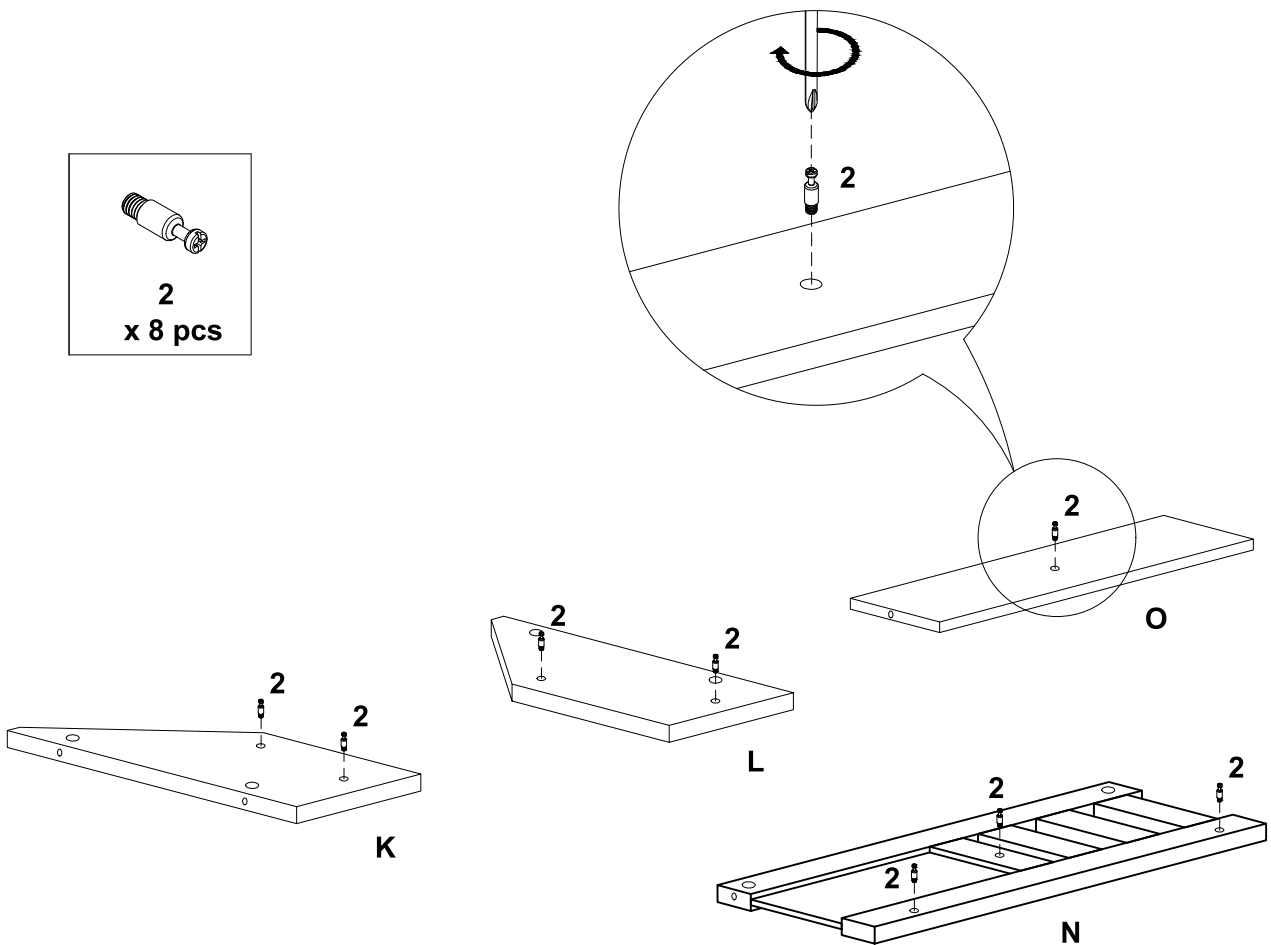
- |   |   |   |   |   |
|---|---|---|---|---|
|  |  |  |  |  |
| <b>A</b><br>Upper Side Apron<br>x2  | <b>B</b><br>Upper Back Apron<br>x1  | <b>C</b><br>Top Panel<br>x1   | <b>D</b><br>Left Side Panel<br>x1   | <b>E</b><br>Divider Panel<br>x1   |
|  |  |  |   |  |
| <b>F</b><br>Right Side Panel<br>x1  | <b>G</b><br>Back Panel<br>x1  | <b>H</b><br>Left Door Panel<br>x1   | <b>I</b><br>Right Door Panel<br>x1  | <b>J</b><br>Bottom Panel<br>x1  |
|  |  |  |   |  |
| <b>K</b><br>Front Support Panel<br>x1   | <b>L</b><br>Back Support Panel<br>x1  | <b>M</b><br>Rack Divider<br>x1  | <b>N</b><br>Rack Front Panel<br>x1  | <b>O</b><br>Rack Bottom Panel<br>x1   |

## HARDWARE



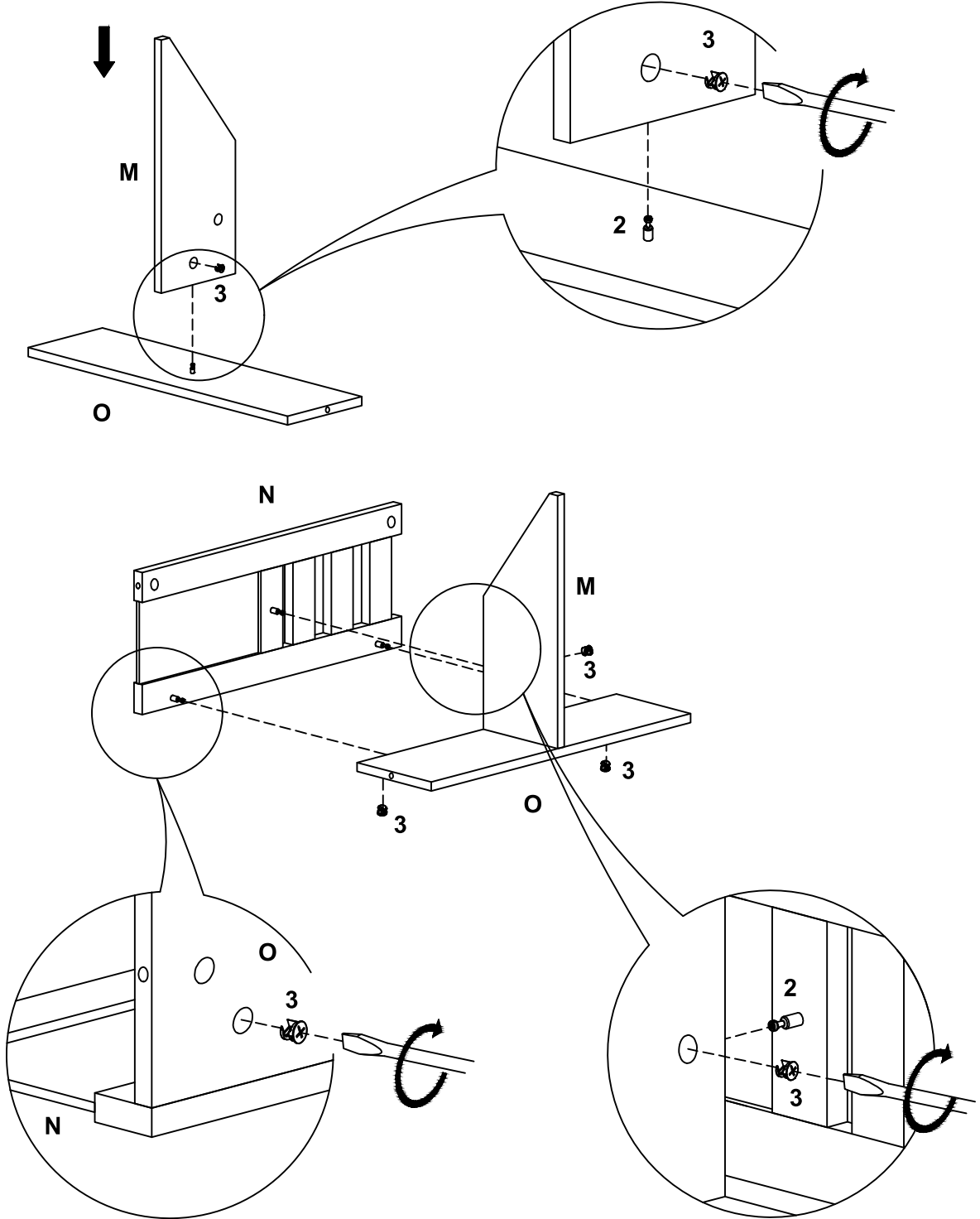
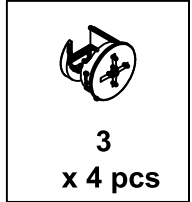
## PRODUCT ASSEMBLY

**1** Screw eight part 2 cam bolts into part K front support, part L back support, part O rack bottom, and part N rack front.



# PRODUCT ASSEMBLY



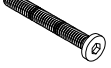

- 2** Attach part M rack divider with one part 3 cam lock.
- Attach part N rack front with three part 3 cam locks.

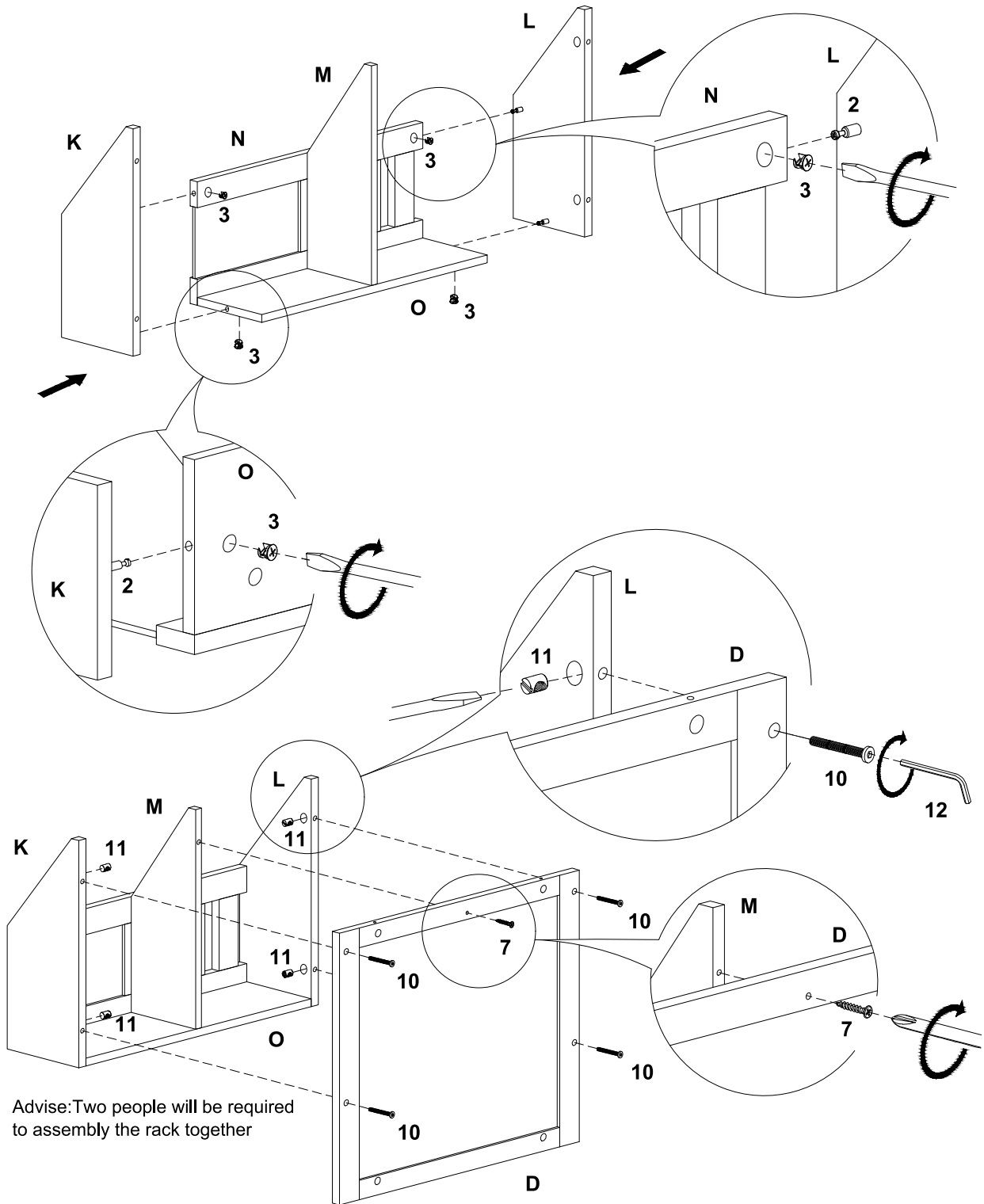


# PRODUCT ASSEMBLY

**3**

Attach part K front support and part L back support with four part 3 cam locks. Attach part D left side panel with four part 11 anchor nuts and four part 10 bolts. Screw in one part 7 screw.

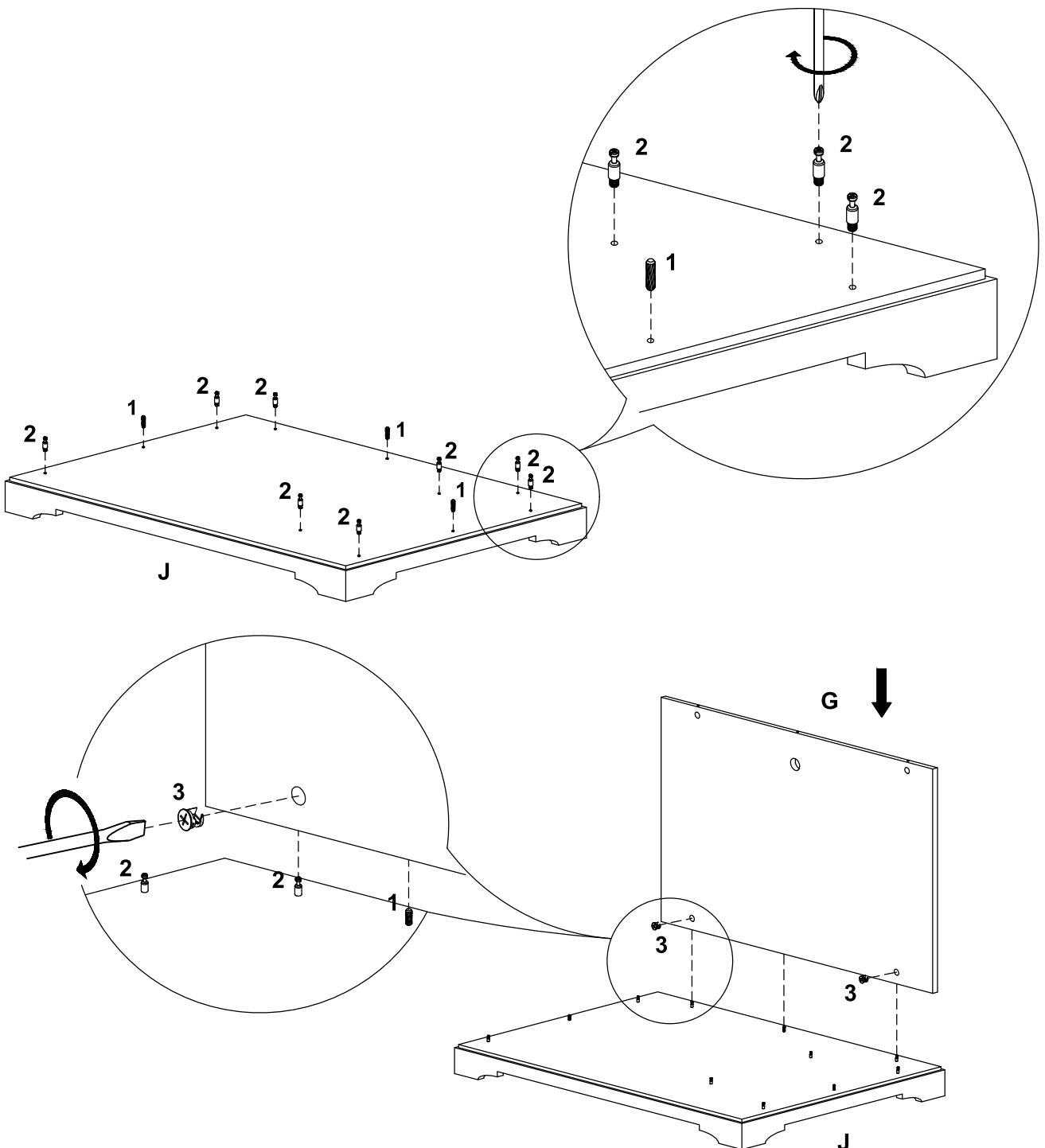
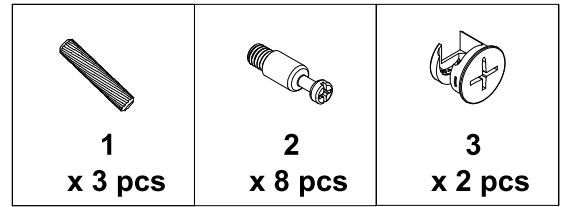
			
<b>x 4 pcs</b>	<b>x 1 pc</b>	<b>x 4 pcs</b>	<b>x 4 pcs</b>



Advise: Two people will be required to assembly the rack together

## PRODUCT ASSEMBLY

- 4** Screw eight part 2 cam bolts and insert three part 1 dowels into part J bottom. Attach part G back panel with two part 3 cam locks.

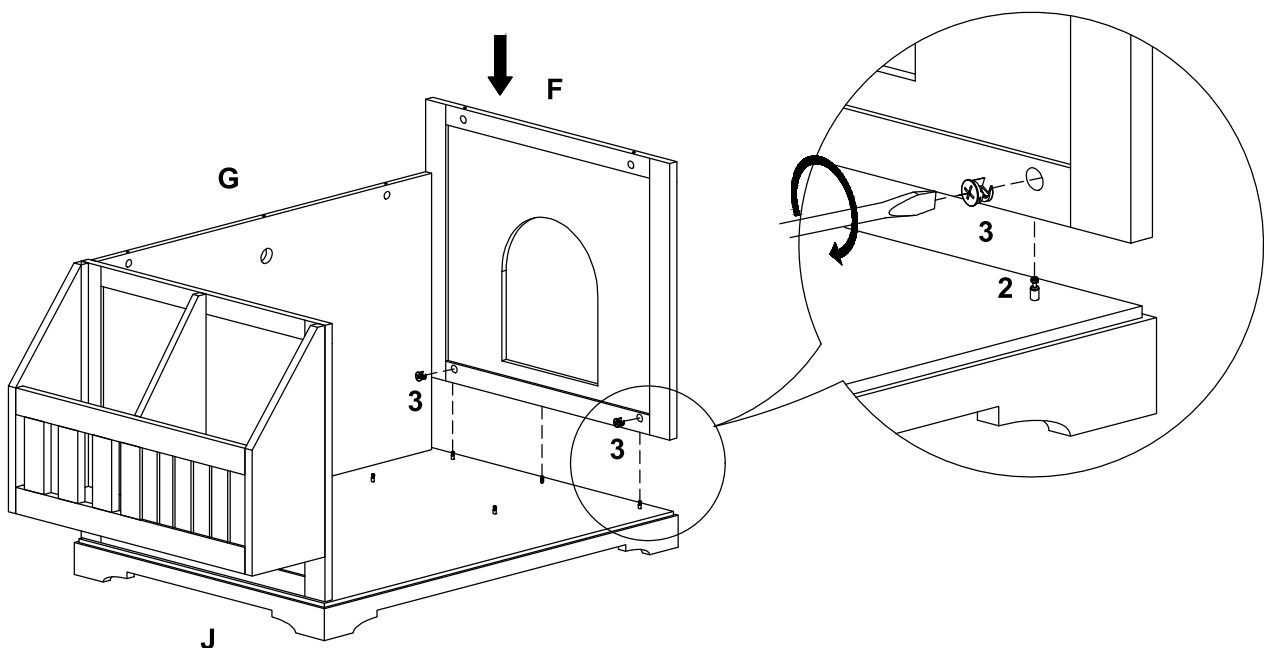
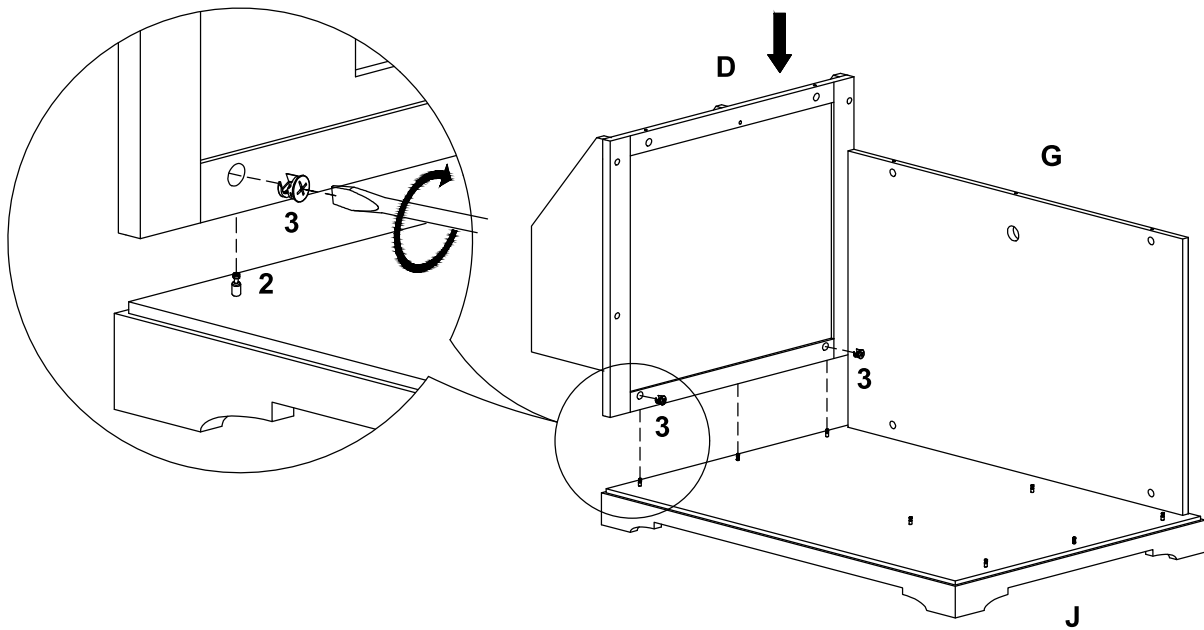
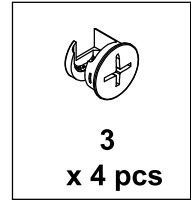




## PRODUCT ASSEMBLY

**5**

Attach part D left side panel with two part 3 cam locks.  
Attach part F right side panel with two part 3 cam locks.

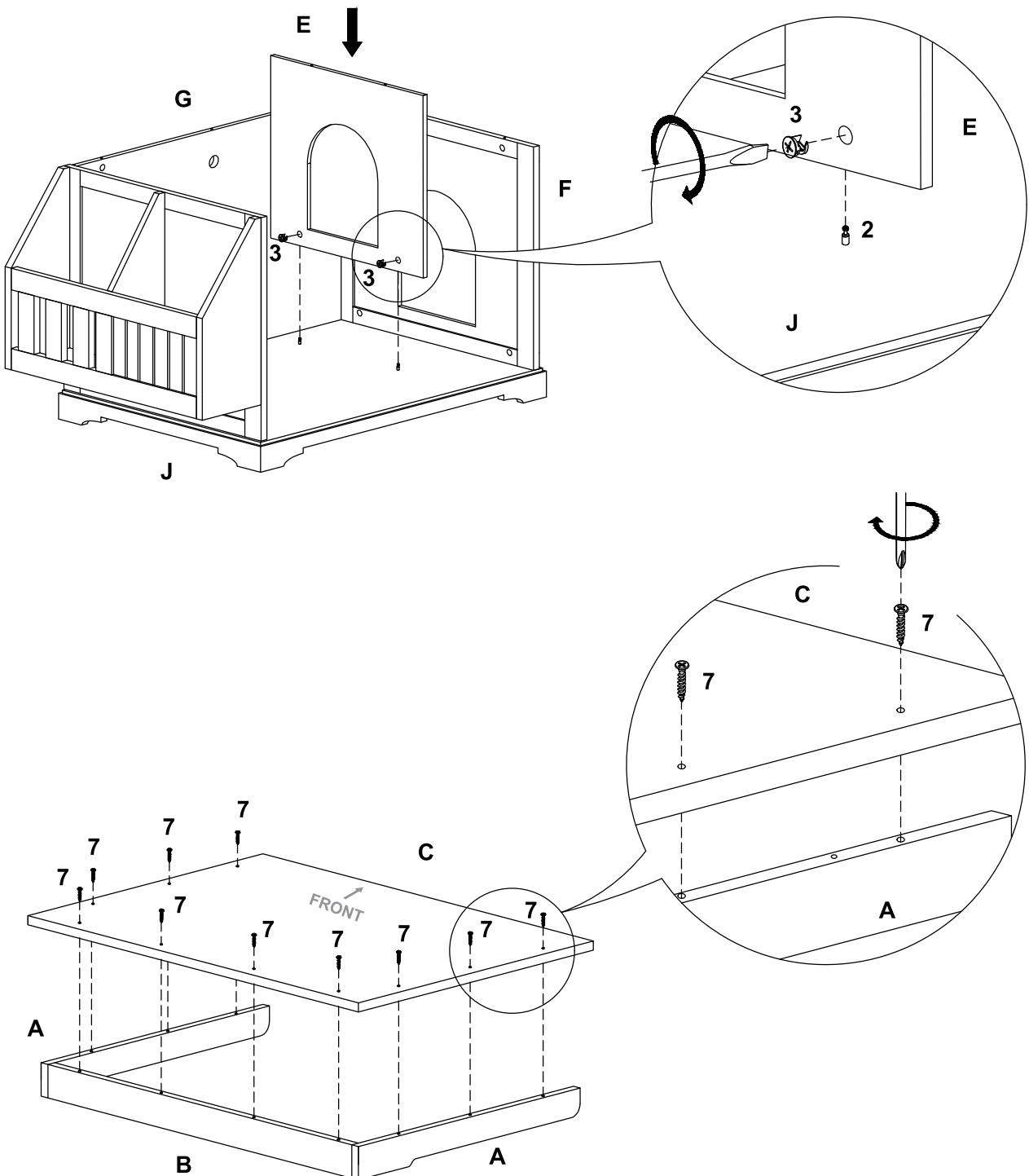
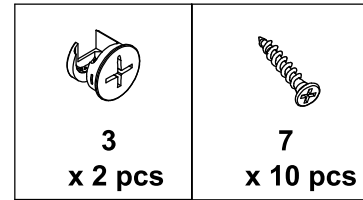


## PRODUCT ASSEMBLY

**6**

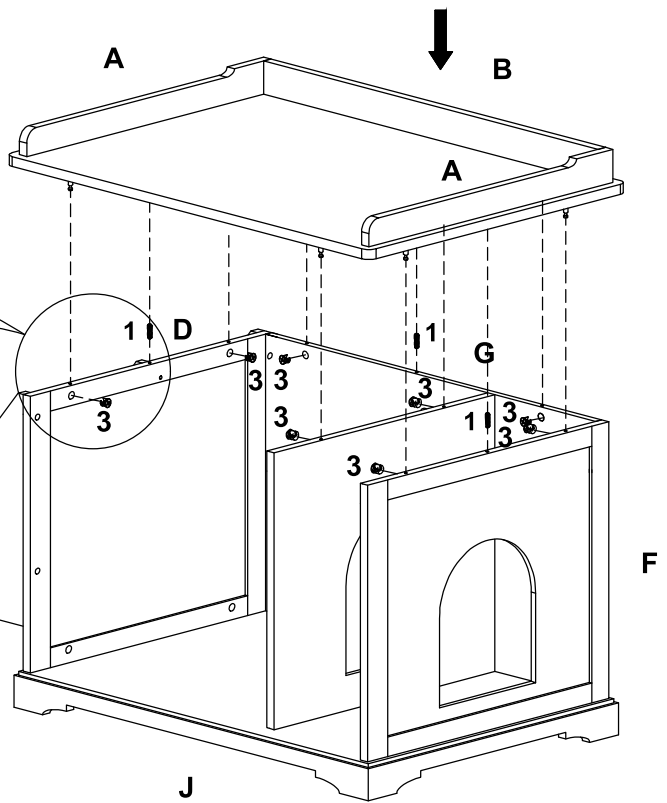
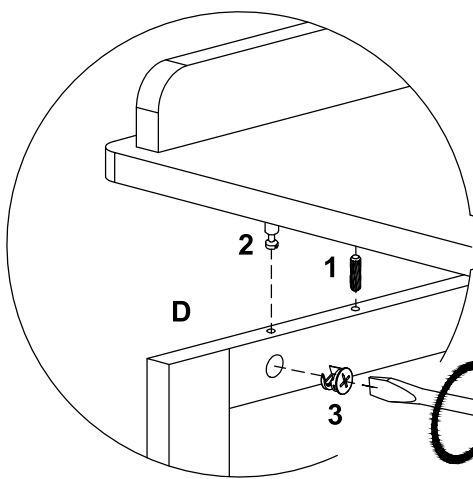
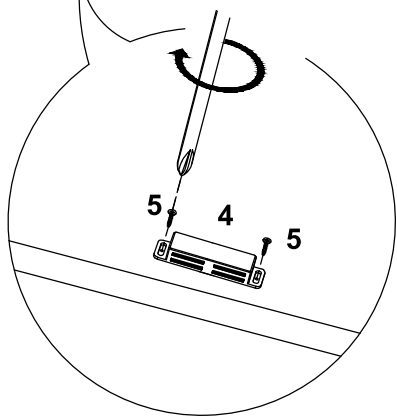
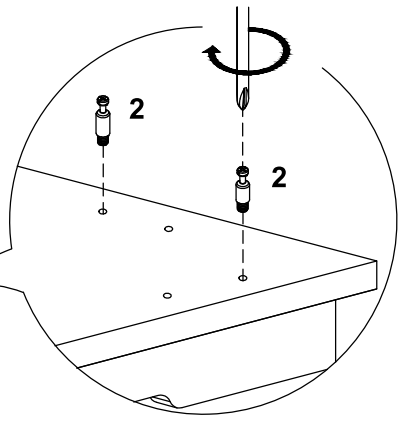
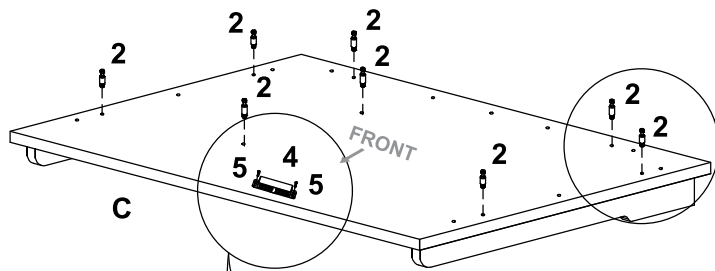
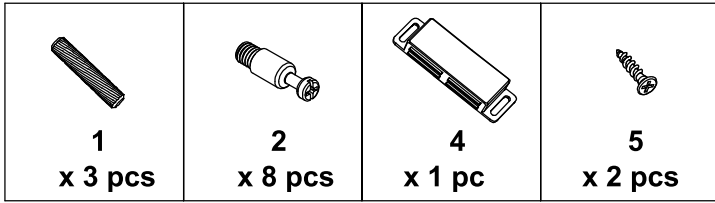
Attach part E divider panel with two part 3 cam locks.

Attach two part A side aprons and one part B back apron to part C top panel with ten part 7 screws.



# PRODUCT ASSEMBLY

- 7** Screw eight part 2 cam bolts into top panel.  
 Attach part 4 door catch with two part 5 screws.  
 Attach top panel with eight part 3 cam locks and three part 1 dowels.



## PRODUCT ASSEMBLY

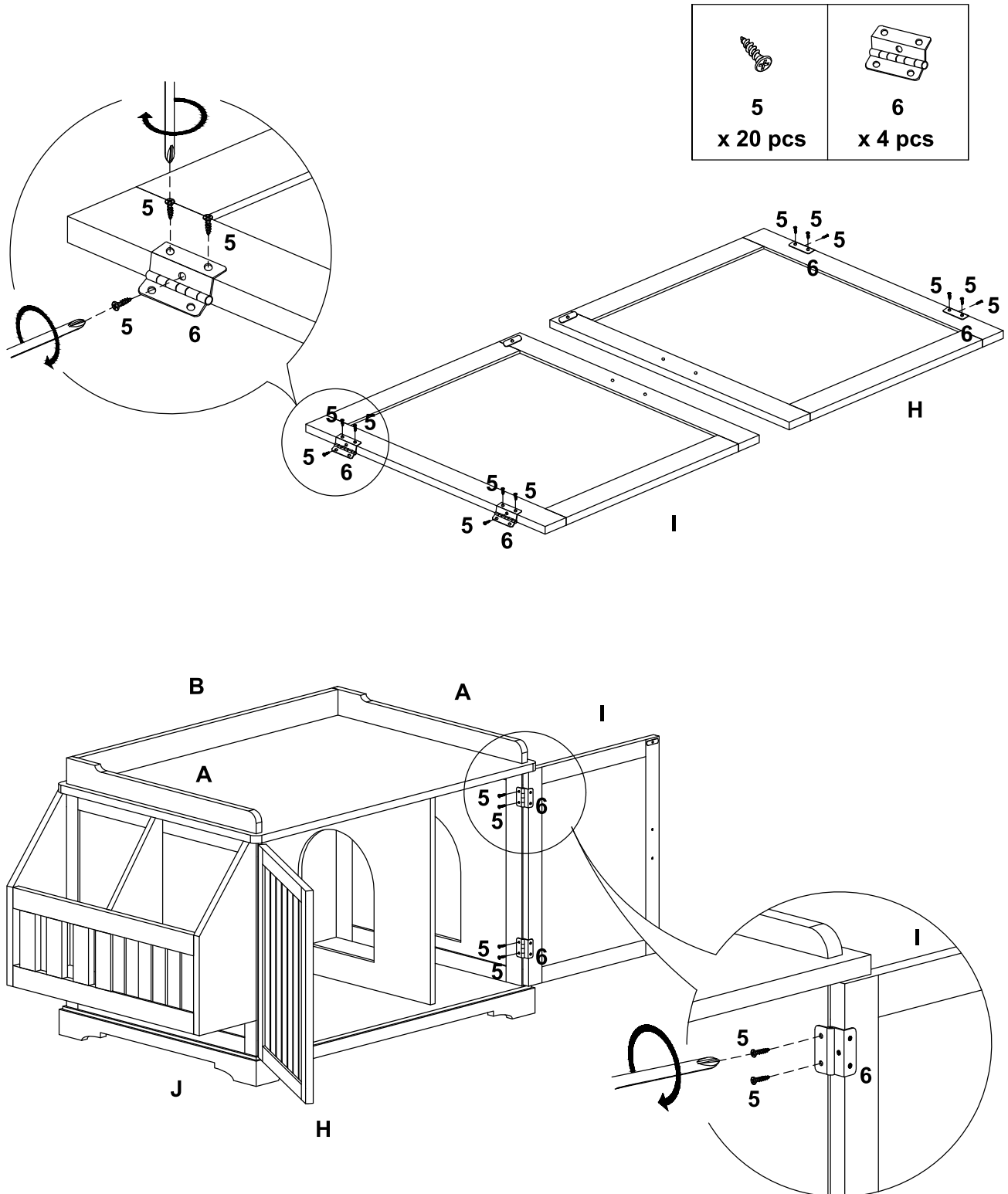
**8**

Attach two part 6 hinges onto part I right door with six part 5 screws.

Attach two hinges onto part H left door with six part 5 screws.

Attach doors with eight part 5 screws.




NOTE: You may need a second person to hold the doors in place while attaching the screws.

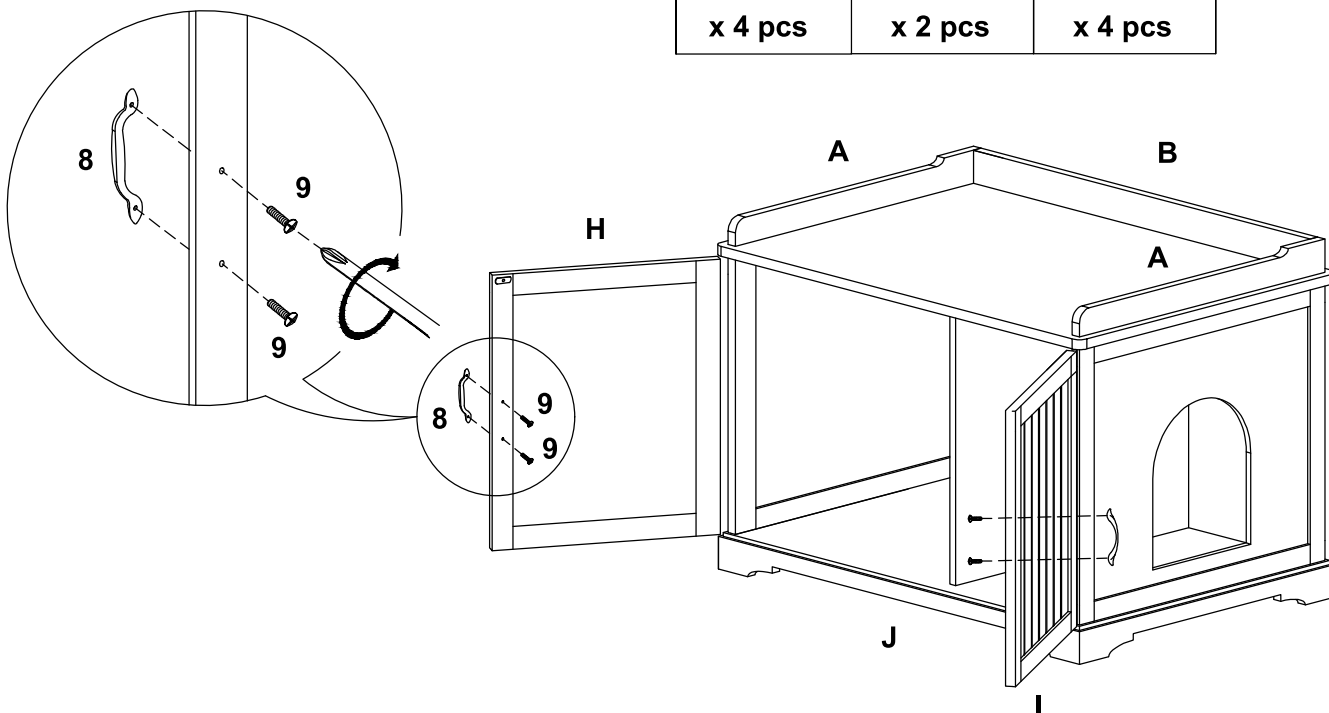


# PRODUCT ASSEMBLY

**9**

Attach two part 8 handles to the doors with four part 9 screws.

		
<b>5</b> x 4 pcs	<b>8</b> x 2 pcs	<b>9</b> x 4 pcs





**bestchoice**products

---

Check out more great products:  
**[bestchoiceproducts.com](http://bestchoiceproducts.com)**

---

Earn points while you shop. Join today!

**bestchoice**products  
**rewards**\$

**Join | Earn | Redeem**

Give your friends 15% off their first order! For each successful referral you'll receive 100 points.

[bestchoiceproducts.com](https://bestchoiceproducts.com)



# HELP CENTER



Question about your product? We're here to help. Visit us at:

[help.bestchoiceproducts.com](http://help.bestchoiceproducts.com)



Chat Support



Product Inquiry



Orders FAQ



Product Assembly



Returns & Refunds

## PRODUCT WARRANTY INFORMATION

All items can be returned for any reason within 60 days of the receipt and will receive a full refund as long as the item is returned in its original product packaging and all accessories from its original shipment are included. All returned items will receive a full refund back to the original payment method. All returned items will not be charged a re-stocking fee.

All returned items require an RA (Return Authorization) number, which can only be provided by a Best Choice Products Customer Service Representative when the return request is submitted. Items received without an RA may not be accepted or may increase your return processing time. Once an item has been received by Best Choice Products, refunds or replacements will be processed within 5 business days.

All returns must be shipped back to the Best Choice Products Return Center at the customer's expense. If the reason for return is a result of an error by Best Choice Products then Best Choice Products will provide a pre-paid shipping label via email. Boxes for return shipping will not be provided by Best Choice Products, and is the customer's responsibility to either use the original shipping boxes or purchase new boxes.

Pictures may be required for some returns to ensure an item is not damaged prior to its return. Items returned are not considered undamaged until they are received by Best Choice Products and verified as such. All damages to items are the customer's responsibility until the item has been received by and acknowledge by Best Choice Products as undamaged.

## WARNING

Manufacturer and seller expressly disclaim any and all liability for personal injury, property damage or loss, whether direct, indirect, or incidental, resulting from the incorrect attachment, improper use, inadequate maintenance, or neglect of this product.