



Manufactured by:
Backyard Discovery
3305 Airport Drive, Pittsburg, KS 66762
800-856-4445

Basepoint Business Centre: Rivermead Drive, Westlea, Swindon SN5 7EX Phone: 0800-118-2476
J.P. Coenstraat 7, The Bridge, The Hague, 2595 WP, Netherlands Phone: 08005678990

GALVANIZED STEEL PATIO KITCHEN 3-PIECE

MODEL #: 2404441



WARNING

Cancer and Reproductive Harm
www.P65Warnings.ca.gov



Please visit www.backyarddiscovery.com
For the most up to date assembly manual, to register your product, or to order
replacement parts Para obtener instrucciones en español, visite
www.backyarddiscovery.com

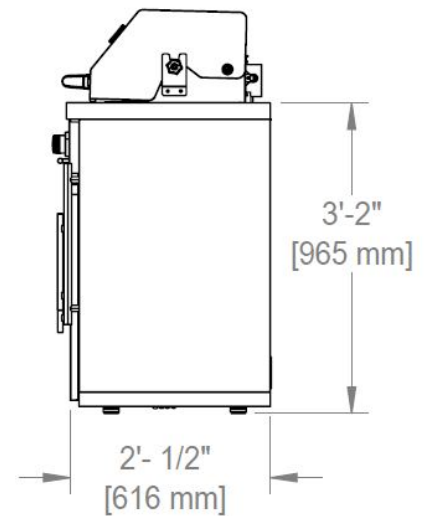
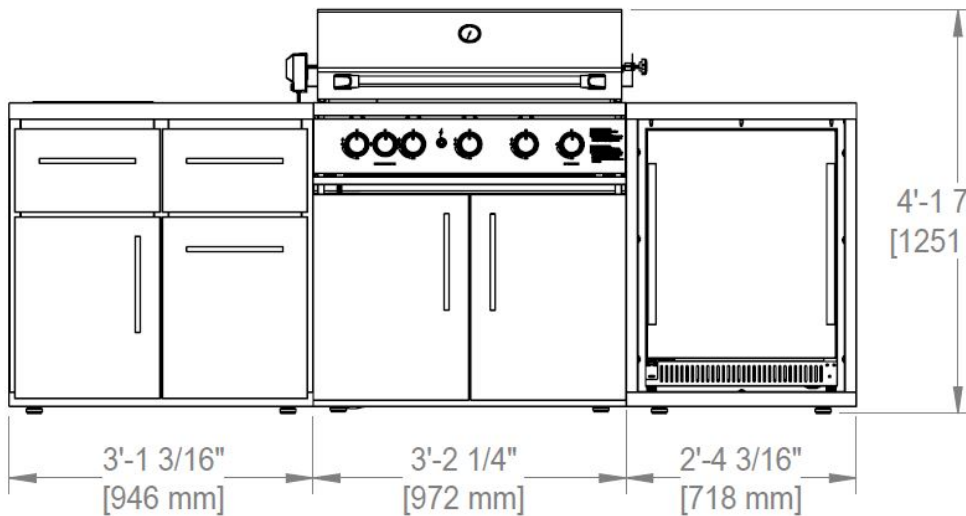
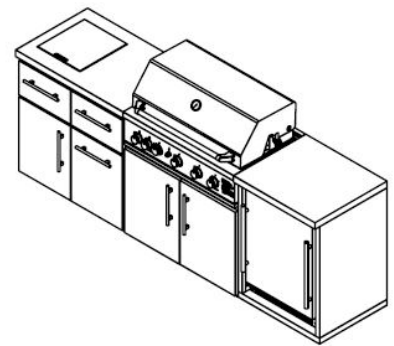
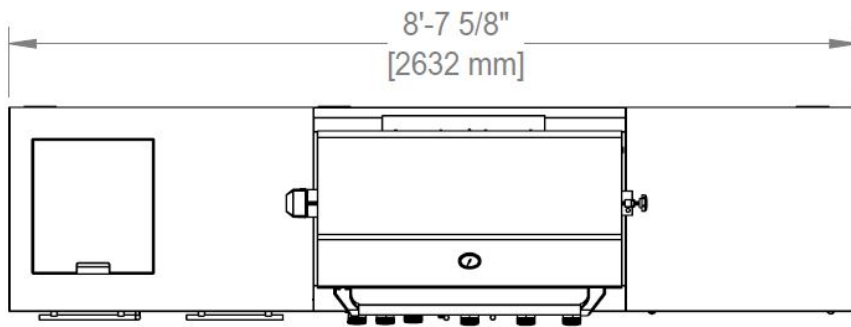


EASY STEP-BY-STEP
3D INTERACTIVE INSTRUCTIONS
DOWNLOAD THE FREE APP



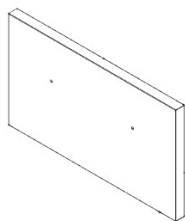
OWNER'S MANUAL - BASIC SETUP DIMENSIONS & ASSEMBLY NOTES

- Pay close attention to the items needed for each step. Make sure you are using the correct hardware for each step. Using incorrect hardware may result in improper assembly
 - Remember to double check for underground utilities and overhead electrical lines
-

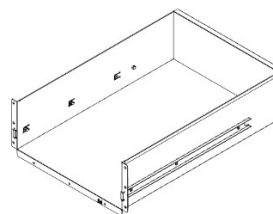


OWNER'S MANUAL - PARTS IDENTIFICATION

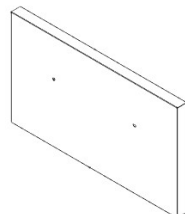
METAL COMPONENTS (NOT TO SCALE)



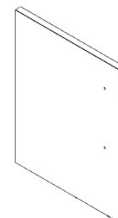
D3 SINK CABINET DRAWER PANEL ASSEMBLY - A4M03569
(x1) 17 3/4"x10 1/4"x15/16" (24x260x451)



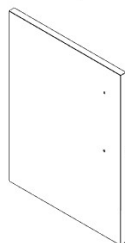
D4 SINK CABINET DRAWER BODY ASSEMBLY - A4M03571
(x1) 22 1/4"x16 1/16"x6 7/16" (164.2x408.4x565.4)



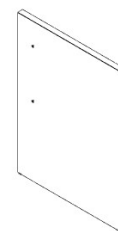
D5 SINK CABINET TRIM PANEL - A4M03576
(x1) 17 13/16"x10 1/4"x1" (26x260x452)



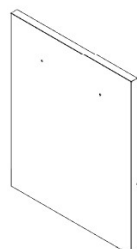
D6 SINK CABINET DOOR ASSEMBLY L - A4M03577
(x1) 22 1/4"x17 13/16"x15/16" (24x452x565)



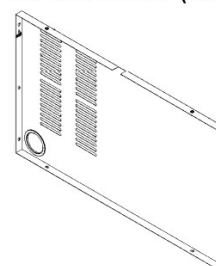
D7 GRILL CABINET DOOR ASSEMBLY L - A4M03587
(x1) 24 13/16"x19 1/16"x15/16" (24x484.15x630)



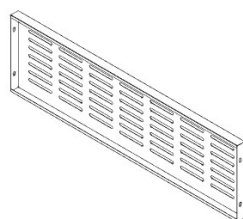
D8 GRILL CABINET DOOR ASSEMBLY R - A4M03590
(x1) 24 13/16"x19 1/16"x15/16" (24x484.15x630)



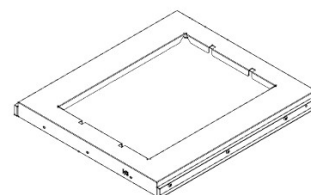
D9 TRASH CAN PANEL ASSEMBLY - A4M03608
(x1) 22 1/4"x17 3/4"x15/16" (24.00x451.00x565.00)



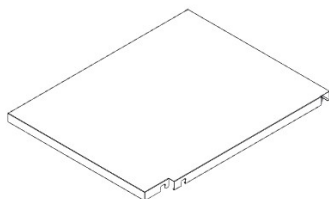
G10 GRILL CABINET BACK PANEL ASSEMBLY - A4M03055
(x1) 1 3/16"x22 7/8"x38 3/16" (30x581x970)



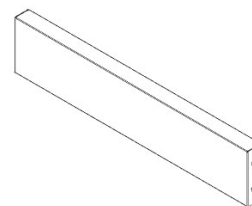
G11 GRILL VENTILATION PANEL - A4M03056
(x1) 1 5/16"x11 3/16"x38 3/16" (33x284x970)



H3 TRASH CAN BRACKET ASSEMBLY - A4M03610
(x1) 18 1/16"x15 13/16"x (35x401.60x458)



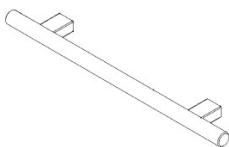
L2 GRILL CABINET SHELF ASSEMBLY - A4M03589
(x1) 23 1/4"x18 3/8"x1" (25.00x467.00x591.00)



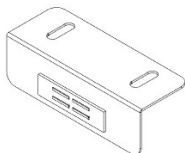
H4 HORIZONTAL BEAM ASSEMBLY L - A4M03575
(x4) 16 1/4"x3 3/8"x1" (25x85x413)

OWNER'S MANUAL - PARTS IDENTIFICATION

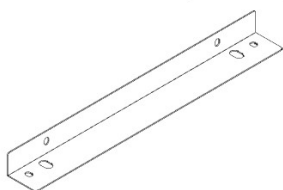
METAL COMPONENTS (NOT TO SCALE)



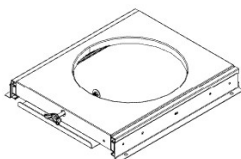
H2 STAINLESS STEEL HANDLE - A4M03024
(x6) 5/8"x1 9/16"x11 13/16" (16x40x300)



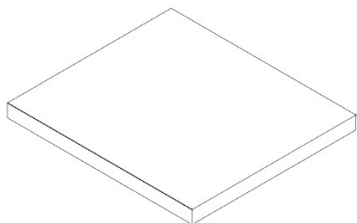
A2 MAGNET BRACKET - A4M03026
(x3) 1"x1 1/4"x3 1/8" (25x31x80)



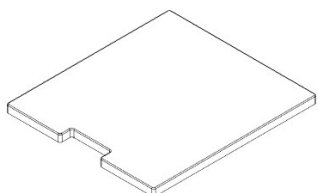
A6 ANGLED BRACKET - A4M03053
(x2) 1 3/8"x1 15/16"x17 1/8" (35x50x435)



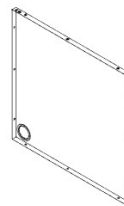
A13 GAS TANK HOLDER ASSEMBLY - A4M03047
(x1) 1 15/16"x12 7/8"x14 3/4" (49x327x374)



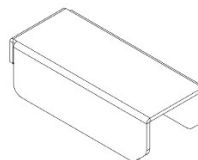
M3 FRIDGE CABINET MARBLE - A4M03602
(x1) 28 1/8"x24 15/16"x1 15/16" (50x634x715)



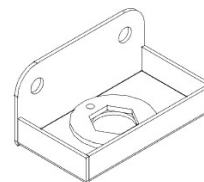
M5 SINK COVER MARBLE - A4M03147
(x1) 11 1/16"x14 3/4"x16 5/16" (18x375x415)



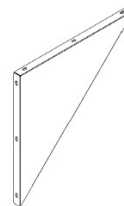
G3 SINK CABINET BACK PANEL ASSEMBLY - A4M03564
(x1) 34 5/16"x33 3/8"x1 3/16" (30x847.2x872)



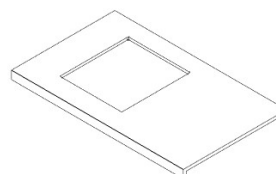
A5 SHELF BRACKET - A4M03141
(x2) 5/8"x7/8"x2 1/16" (16x22x53)



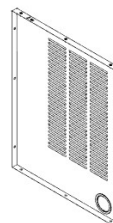
A9 HOSE BRACKET ASSEMBLY - A4M03060
(x1) 1 1/4"x1 7/16"x2 9/16" (31.5x36.5x65)



A11 TRIANGLE PANEL - A4M03086
(x2) 13 1/16"x13 3/4"x13 3/4" (20x350x350)



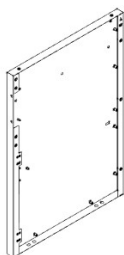
M7 SINK CABINET MARBLE - A4M04539
(x1) 37 3/16"x24 15/16"x1 15/16" (50x634x944)



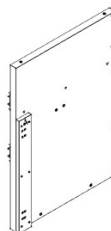
G4 FRIDGE CABINET BACK PANEL ASSEMBLY - A4M03599
(x1) 25 5/16"x33 3/8"x1 3/16" (30x847.2x643)

OWNER'S MANUAL - PARTS IDENTIFICATION

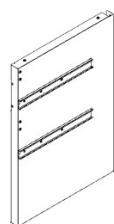
METAL COMPONENTS (NOT TO SCALE)



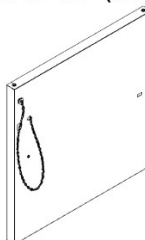
S3 SINK CABINET SIDE PANEL ASSEMBLY L - A4M04538
(x1) 33 3/8"x23 3/8"x2" (50x594x848.2)



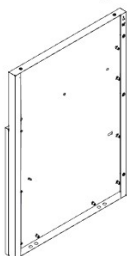
S4 SINK CABINET SIDE PANEL ASSEMBLY R - A4M03563
(x1) 33 3/8"x23 3/8"x2 5/8" (67x594x848.20)



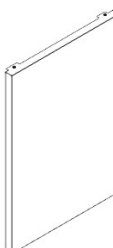
S5 SINK CABINET SIDE PANEL ASSEMBLY M - A4M03567
(x1) 33 3/8"x23 3/8"x2 3/16" (56.2x593x847)



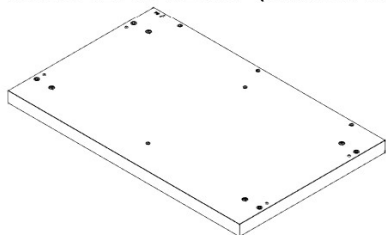
S6 GRILL CABINET SIDE PANEL ASSEMBLY M - A4M03586
(x1) 23 3/8"x22 7/8"x1 3/8" (35x581x593)



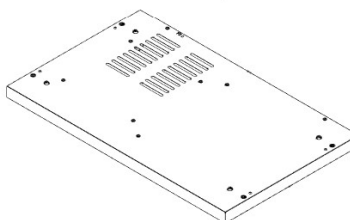
S7 FRIDGE CABINET SIDE PANEL ASSEMBLY L - A4M03597
(x1) 33 7/16"x23 3/8"x2 1/16" (53x594x849.7)



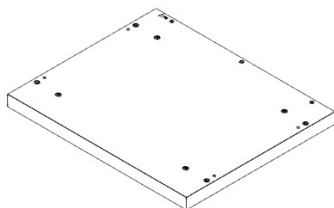
S8 FRIDGE CABINET SIDE PANEL ASSEMBLY R - A4M04535
(x1) 33 3/8"x23 3/8"x1 15/16" (50x594x848.20)



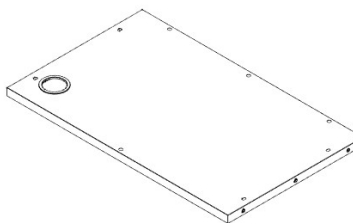
F3 SINK CABINET FLOOR PANEL ASSEMBLY - A4M03560
(x1) 37 3/16"x23 3/8"x2 5/8" (66x594x944)



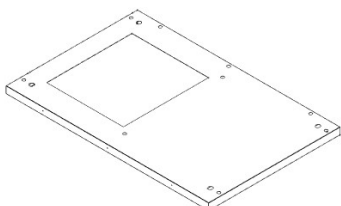
F2 GRILL CABINET FLOOR PANEL ASSEMBLY - A4M03048
(x1) 2 5/8"x23 3/8"x38 1/4" (66x594x972)



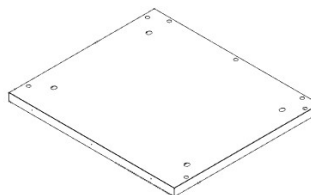
F4 FRIDGE CABINET FLOOR PANEL ASSEMBLY - A4M03595
(x1) 28 1/8"x23 3/8"x2 5/8" (66x594x715)



T2 GRILL TABLETOP ASSEMBLY - A4M03057
(x1) 1 1/4"x23 3/8"x38 3/16" (32x594x970)



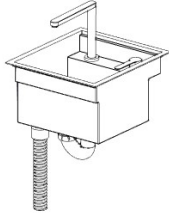
T4 SINK CABINET TABLETOP FRAME - A4M04540
(x1) 36 3/8"x24 1/8"x1 1/4" (32x612x925)



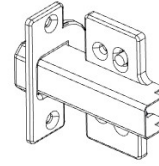
T7 FRIDGE CABINET TABLETOP - A4M03641
(x1) 27 3/8"x24 1/8"x1 1/4" (32x612x696)

OWNER'S MANUAL - PARTS IDENTIFICATION

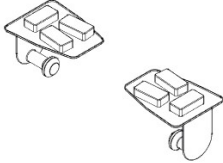
METAL COMPONENTS (NOT TO SCALE)



A16 SINK ASSEMBLY - A4M03143
(x1) 15 1/8"x15 5/16"x16 7/8" (384x389x429)



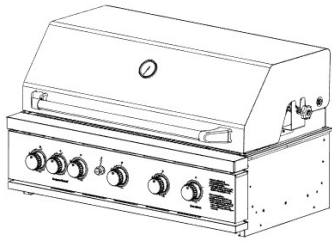
A4M03025 FULL OVERLAY HINGE
(x6)



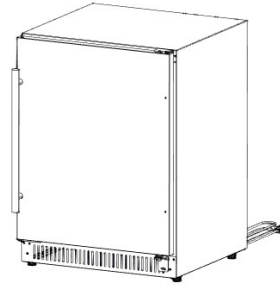
A4M02290 MAGNETIC PAPER TOWEL HOLDER
(x1)



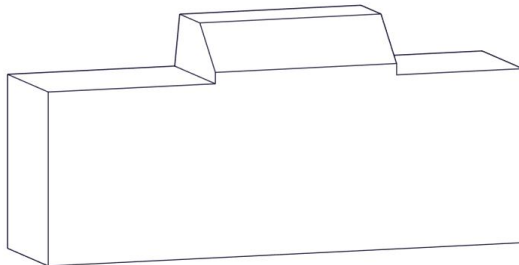
A4M03151 GARDEN HOSE ADAPTER
(x1)



9240025 OUTDOOR KITCHEN GRILL KIT
(x1)



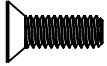
9240162 OUTDOOR KITCHEN FRIDGE - RIGHT OPEN
(x1)



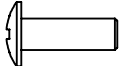
A6P01386 OUTDOOR KITCHEN CABINET COVER
(x1)

OWNER'S MANUAL - PARTS IDENTIFICATION

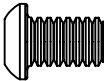
HARDWARE COMPONENTS



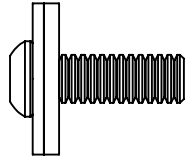
H101185 | PHILLIPS FLAT HEAD
(x36) | 8-32x.5 SCREW



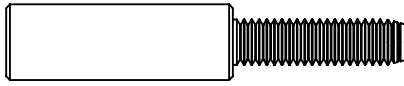
H101289 | PAN HEAD SCREW
(x35) | 8-32x1/2" SS



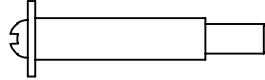
H101292 | TORX PAN HEAD
(x12) | 1/4-20x13/32"



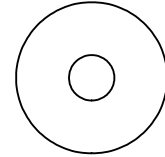
H101202 | TORX PAN HEAD
(x82) | 1/4-20x3/4 ASSY



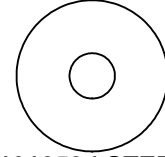
H101103 | TORX SOCKET SCREW
(x20) |



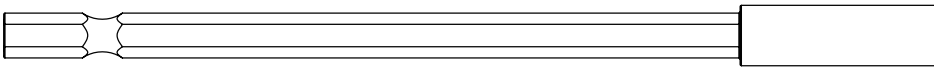
H101307 | SHOULD BOLT
(x10) | 8-32x30mm SS



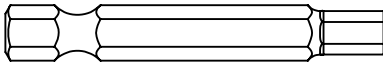
H101054 | SEALANT WASHER
(x8) |



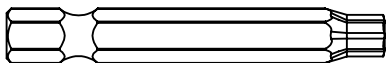
H101053 | STEEL WASHER
(x8) | 6x20



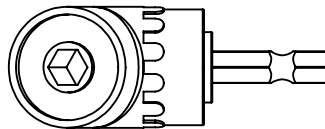
H101278 | 6" MAGNETIC DRIVER EXTENSION
(x1)



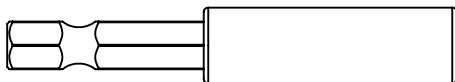
H101294 | HEX DRIVER
(x1)



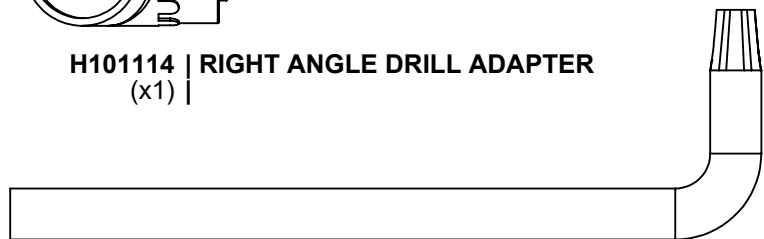
H100147 | TORX BIT
(x1) T-30



H101114 | RIGHT ANGLE DRILL ADAPTER
(x1) |



H101100 | MAGNETIC DRIVER
(x1)



H100114 | TORX WRENCH
(x1) | T-30

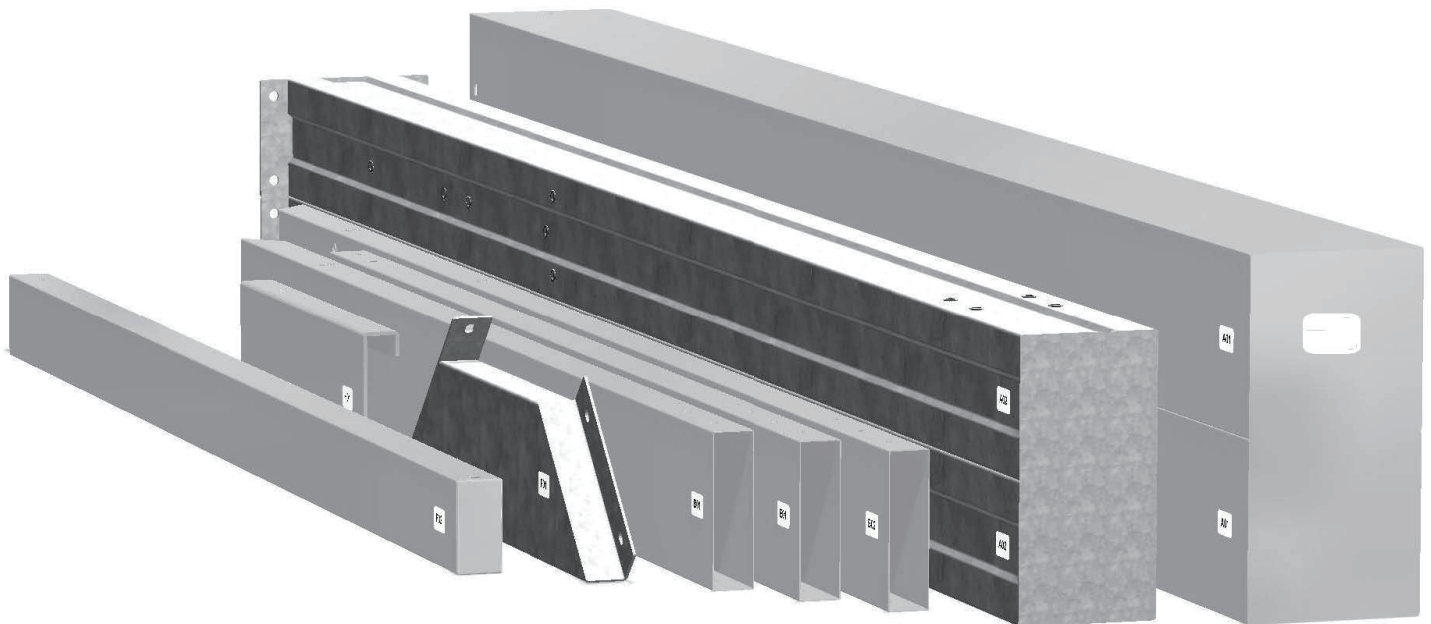
PRE-ASSEMBLY STEP 1 - SORTING PARTS

It is critical for ease of assembly that you take the time to sort and organize the parts and hardware.

METAL PARTS:

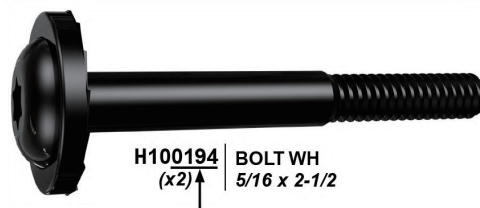
- Organize metal parts by the three-digit, alpha-numeric number stamped on each part (ex. P01).
- If there are multiple parts with the same stamped number, stack those pieces together.
- Stamps can be found on the flat surface of the parts or on the end of the parts.
- Allow yourself plenty of room - the parts can take up a significant amount of space.

NOTE: CARTONS ARE NOT ORGANIZED BY PART OR STEP NUMBER.



HARDWARE PARTS:

- We recommend that you have a separate table to organize the hardware.
- Hardware bags are printed with a seven-digit, alpha-numeric part number.
- You can organize your hardware by part number or group by hardware type (e.g. bolts, nuts, etc.).
- During assembly you only need to reference the last four digits of the number.



PRE-ASSEMBLY STEP 2 - TOOLS REQUIRED



Cordless Drill or
Electric Drill



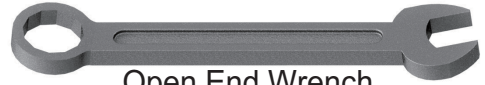
Drill Attachments:
Phillips Head



1/8", 3/16", 3/8" &
7/16" Drill Bits



Phillips Screw Driver



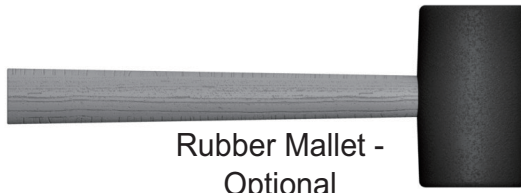
Open End Wrench
7/16"



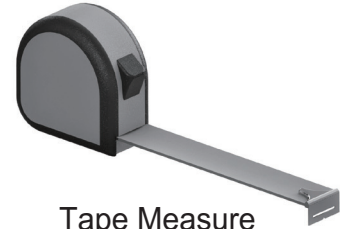
3/8" Drive Ratchet, 1/2" &
7/16" STD Sockets 1/2" & 7/16"
Deep Sockets



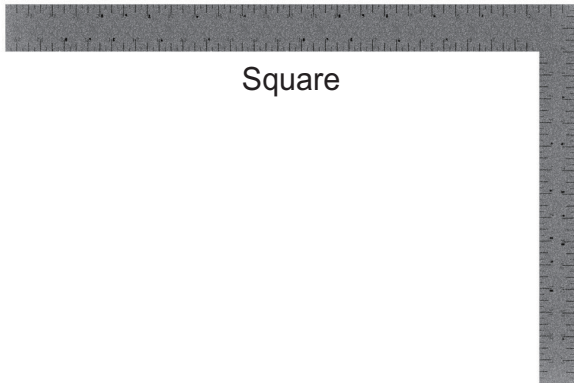
Claw Hammer



Rubber Mallet -
Optional



Tape Measure



Square

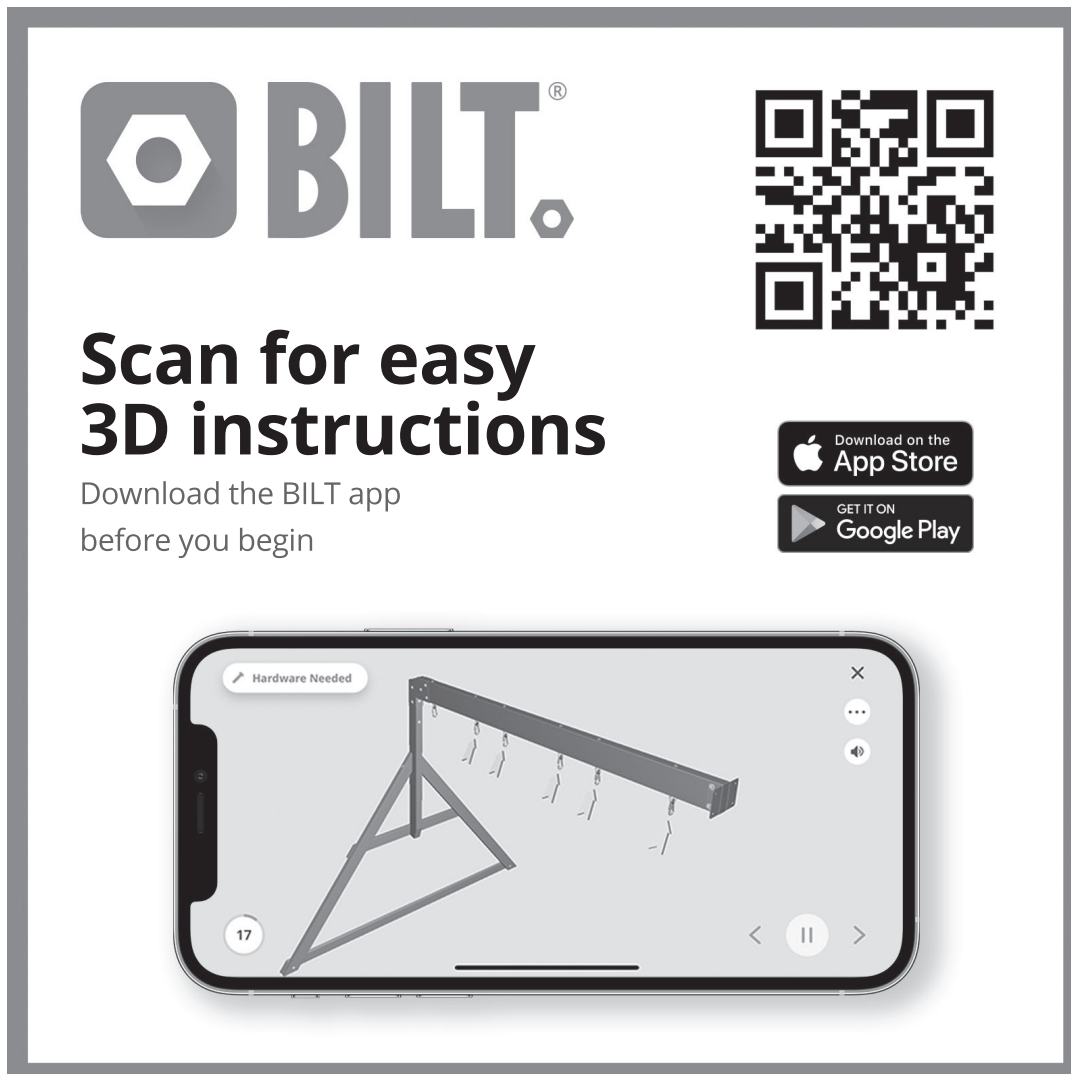


Level 24"

PRE-ASSEMBLY STEP 3 - CHOOSE YOUR ASSEMBLY METHOD

There are several types of assembly instructions available to you.

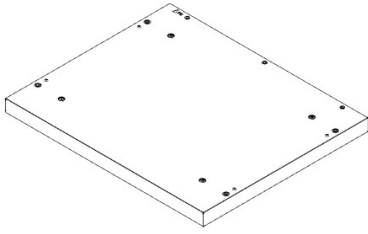
1. Printed Assembly Manual included with your set
2. BILT APP - 3D interactive instructions
3. Combination of the Printed Manual and BILT APP (Note: Step numbers can differ between the two methods)



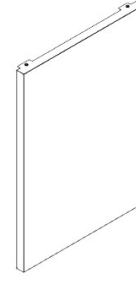
The graphic is a rectangular frame containing the BILT logo (a hexagon with a dot inside) and the word "BILT." with a registered trademark symbol. To the right is a large QR code. Below the logo is the text "Scan for easy 3D instructions" and "Download the BILT app before you begin". To the right of this text are two buttons: "Download on the App Store" and "GET IT ON Google Play". At the bottom is a smartphone displaying a 3D assembly instruction for a metal frame, with a "Hardware Needed" label, a page number "17", and navigation icons.

STEP 1 - FRIDGE CABINET ASSEMBLY

Qty	PartNo	Description
2	H101202	TORX PAN HEAD 1/4-20x3/4 ASSY

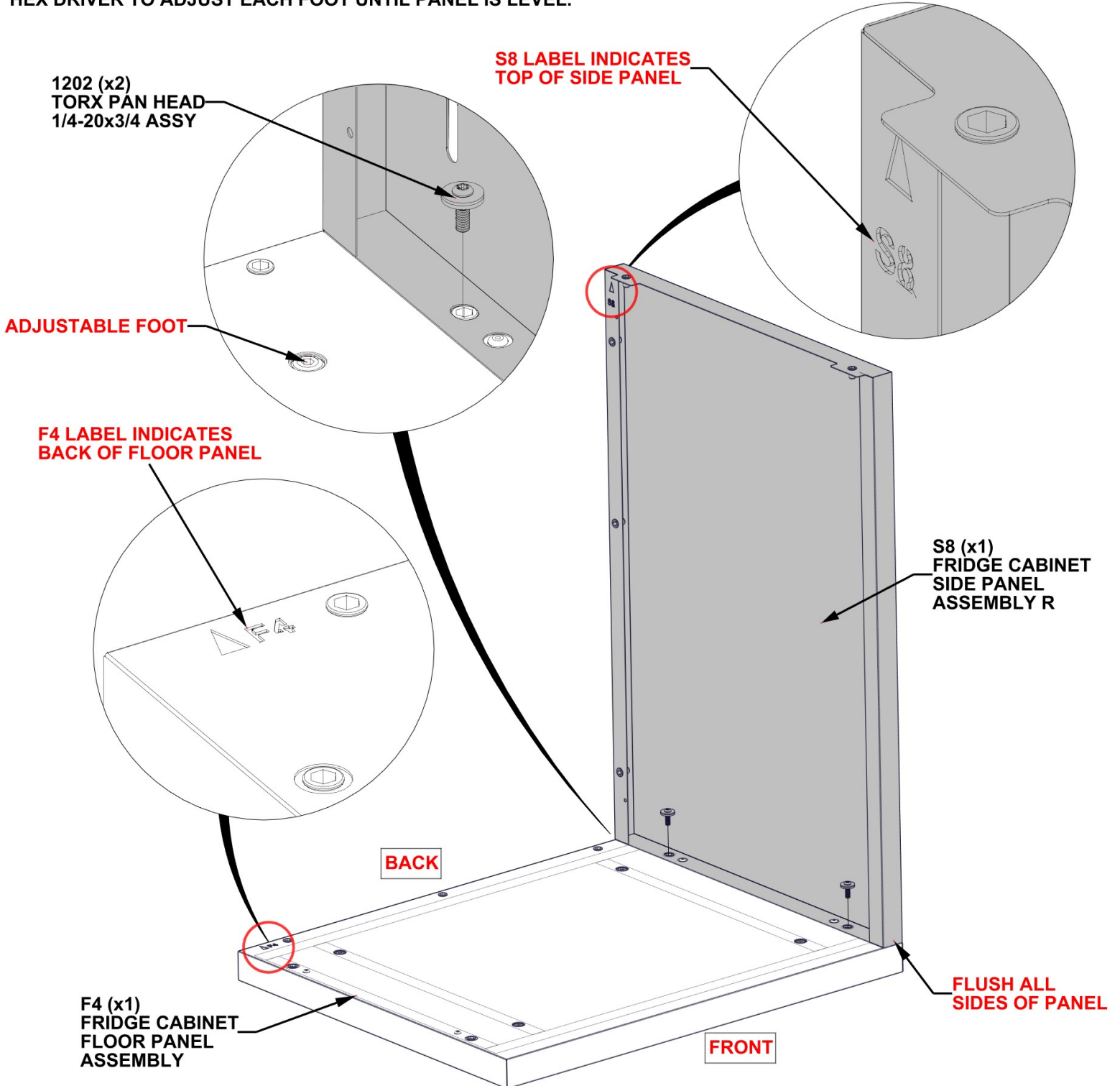


F4 FRIDGE CABINET FLOOR PANEL ASSEMBLY - A4M03595
(x1) 28 1/8"x23 3/8"x2 5/8" (66x594x715)



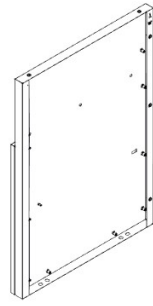
S8 FRIDGE CABINET SIDE PANEL ASSEMBLY R - A4M04535
(x1) 33 3/8"x23 3/8"x1 15/16" (50x594x848.20)

- POSITION FLOOR PANEL IN THE PROXIMITY OF WHERE YOUR KITCHEN WILL BE.
- EACH FLOOR PANEL HAS FACTORY INSTALLED ADJUSTABLE FEET. USE PROVIDED HEX DRIVER TO ADJUST EACH FOOT UNTIL PANEL IS LEVEL.

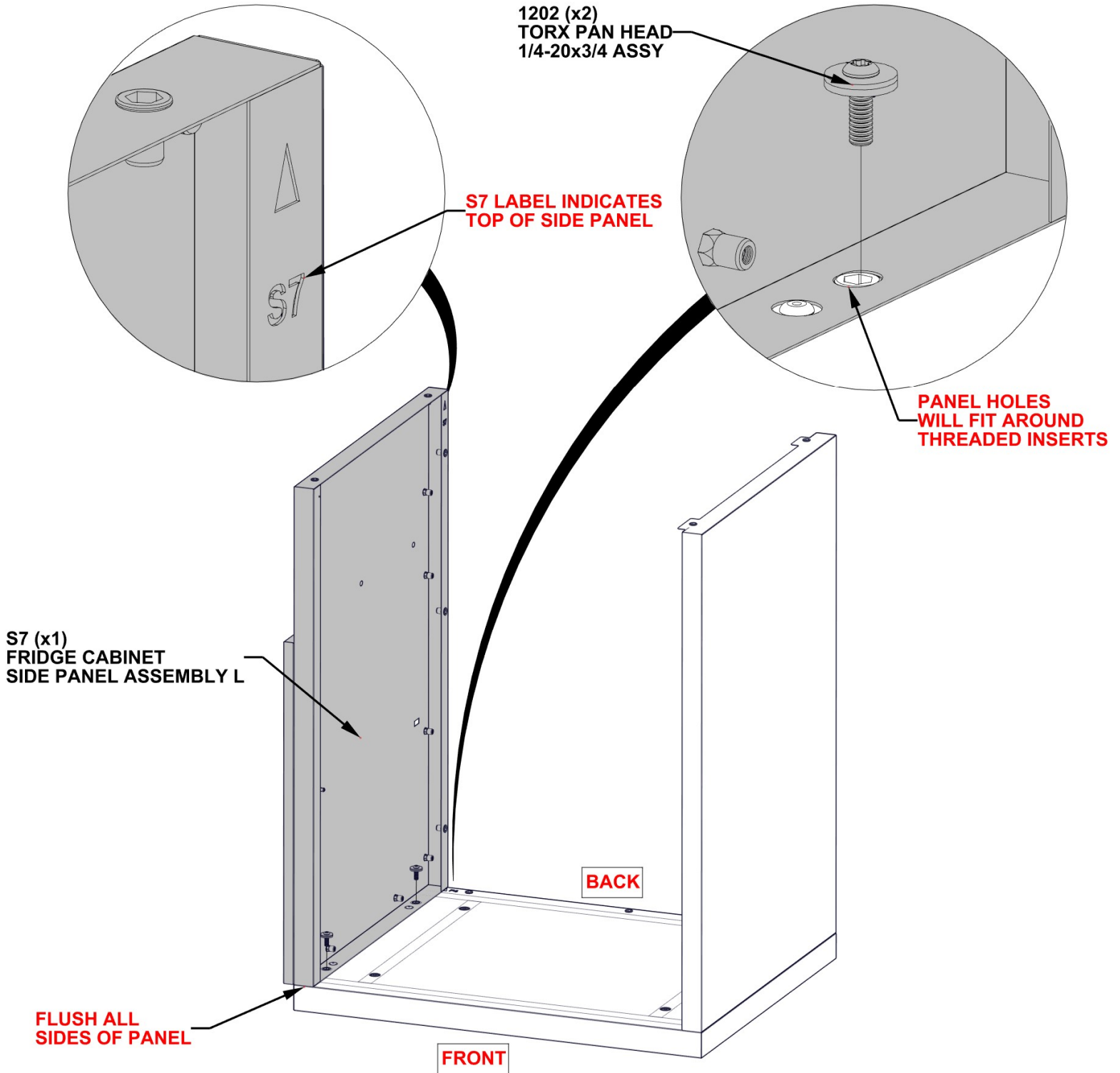


STEP 2 - FRIDGE CABINET ASSEMBLY

Qty	PartNo	Description
2	H101202	TORX PAN HEAD 1/4-20x3/4 ASSY

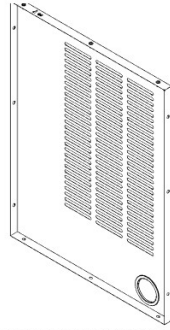


S7 FRIDGE CABINET SIDE PANEL ASSEMBLY L - A4M03597
 (x1) 33 7/16"x23 3/8"x2 1/16" (53x594x849.7)

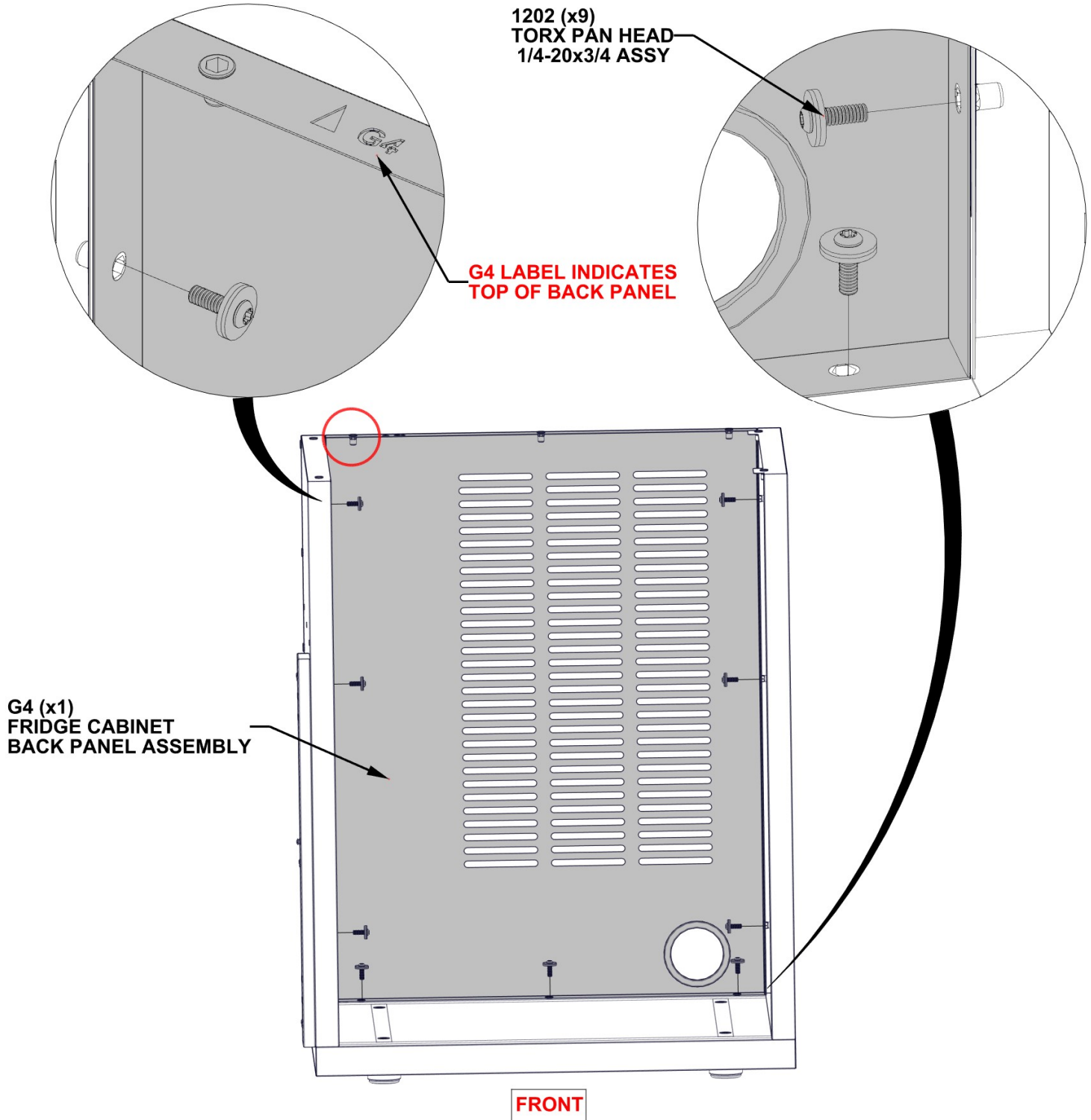


STEP 3 - FRIDGE CABINET ASSEMBLY

Qty	PartNo	Description
9	H101202	TORX PAN HEAD 1/4-20x3/4 ASSY

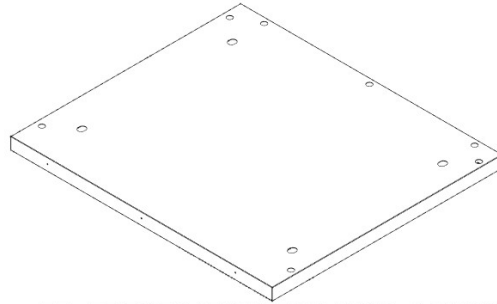


G4 FRIDGE CABINET BACK PANEL ASSEMBLY - A4M03599
(x1) 25 5/16"x33 3/8"x1 3/16" (30x847.2x643)



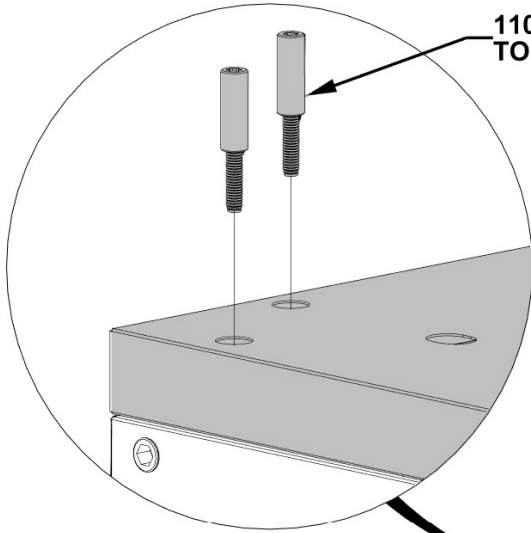
STEP 4 - FRIDGE CABINET ASSEMBLY

Qty	PartNo	Description
7	H101103	TORX SOCKET SCREW 1/4-20

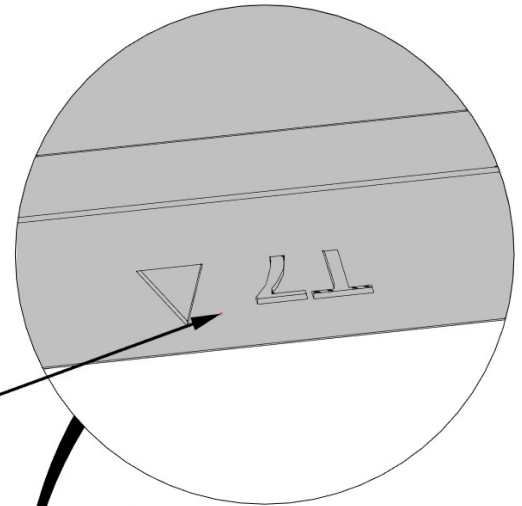


T7 FRIDGE CABINET TABLETOP - A4M03641
(x1) 27 3/8"x24 1/8"x1 1/4" (32x612x696)

- FLUSH BACK AND SIDES OF PANEL ASSEMBLY.
- SQUARE ALL SIDES OF CABINET BEFORE TIGHTENING HARDWARE.

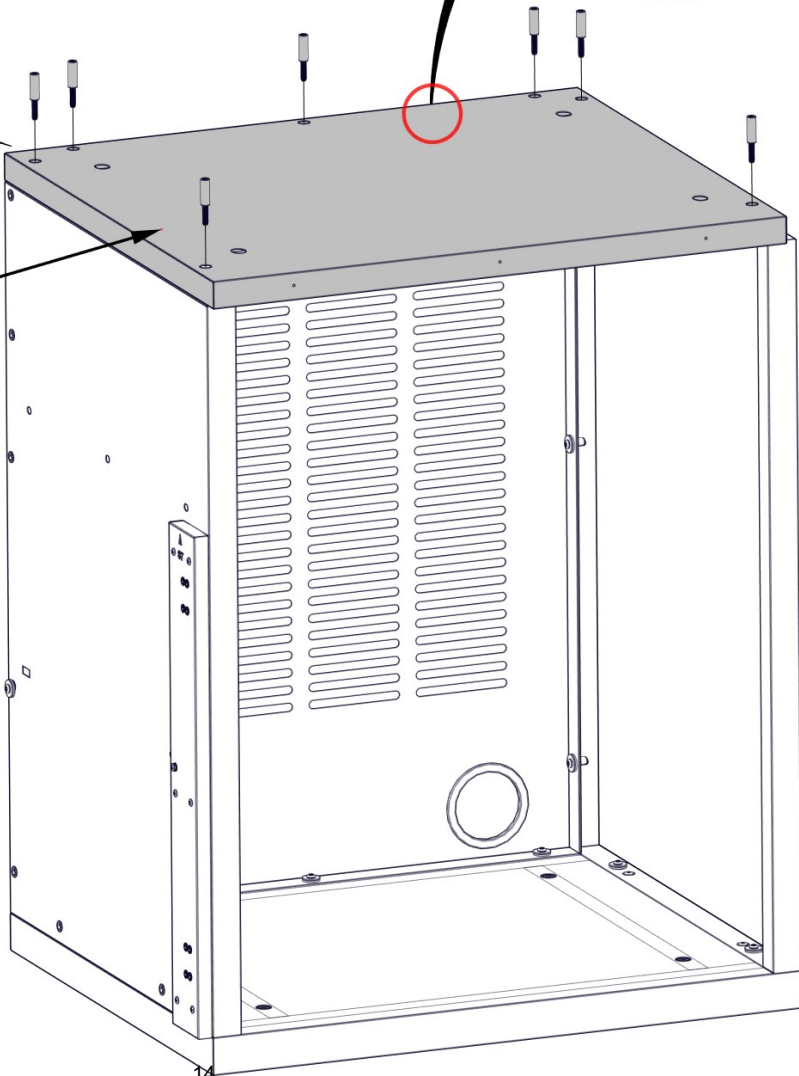


1103 (x7)
TORX SOCKET SCREW 1/4-20



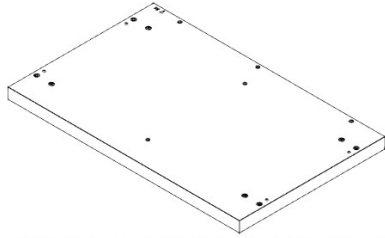
T7 LABEL ON BOTTOM
SIDE INDICATES BACK

T7 (x1)
FRIDGE CABINET TABLETOP

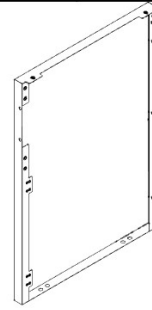


STEP 5 - SINK CABINET ASSEMBLY

Qty	PartNo	Description
2	H101202	TORX PAN HEAD 1/4-20x3/4 ASSY

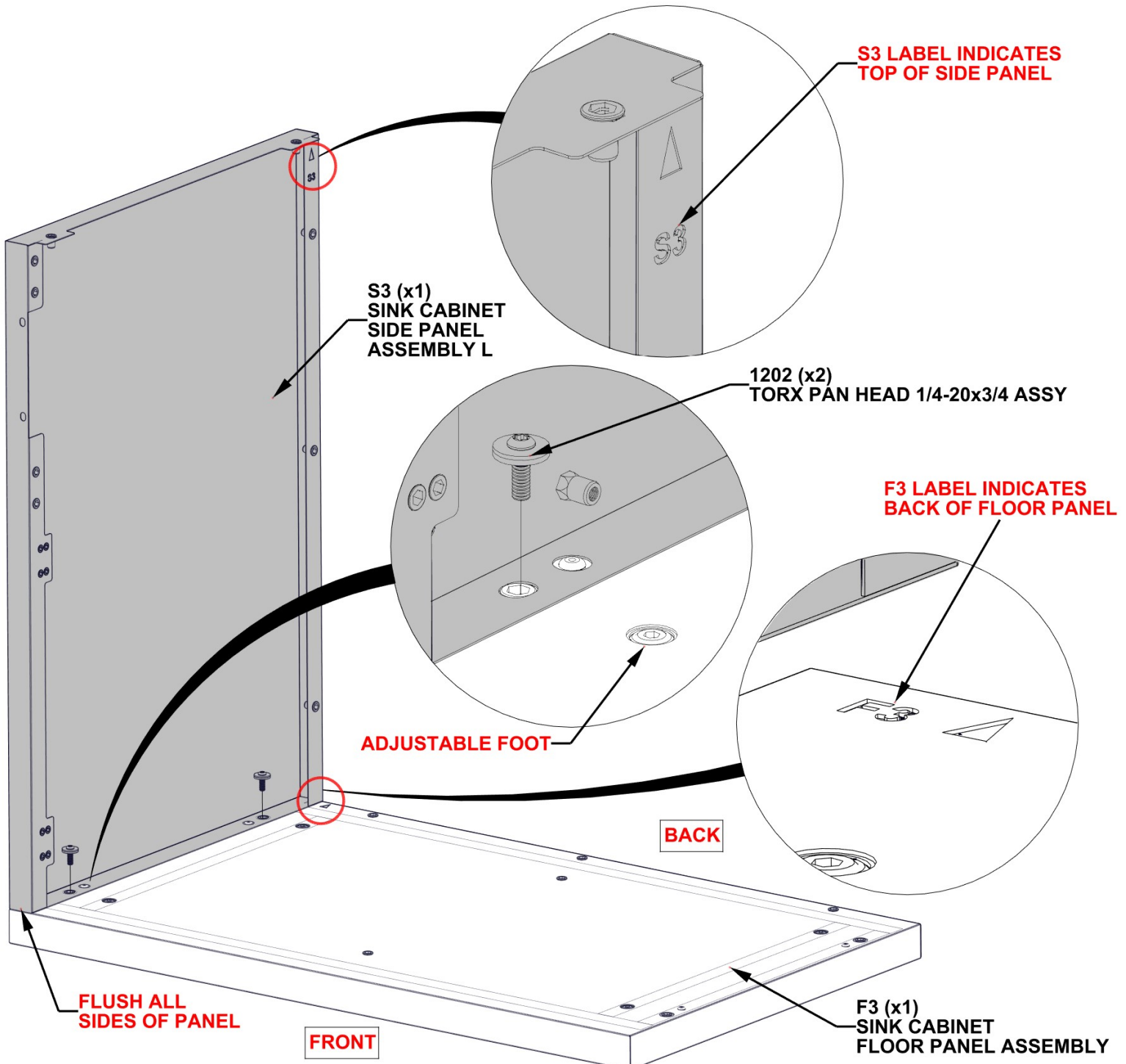


F3 SINK CABINET FLOOR PANEL ASSEMBLY - A4M03560
 (x1) 37 3/16"x23 3/8"x2 5/8" (66x594x944)



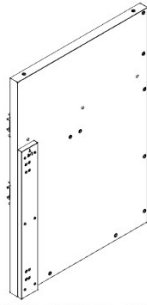
S3 SINK CABINET SIDE PANEL ASSEMBLY L - A4M04538
 (x1) 33 3/8"x23 3/8"x2" (50x594x848.2)

- POSITION FLOOR PANEL IN THE PROXIMITY OF WHERE YOUR KITCHEN WILL BE.
- EACH FLOOR PANEL HAS FACTORY INSTALLED ADJUSTABLE FEET. USE PROVIDED HEX DRIVER TO ADJUST EACH FOOT UNTIL PANEL IS LEVEL.

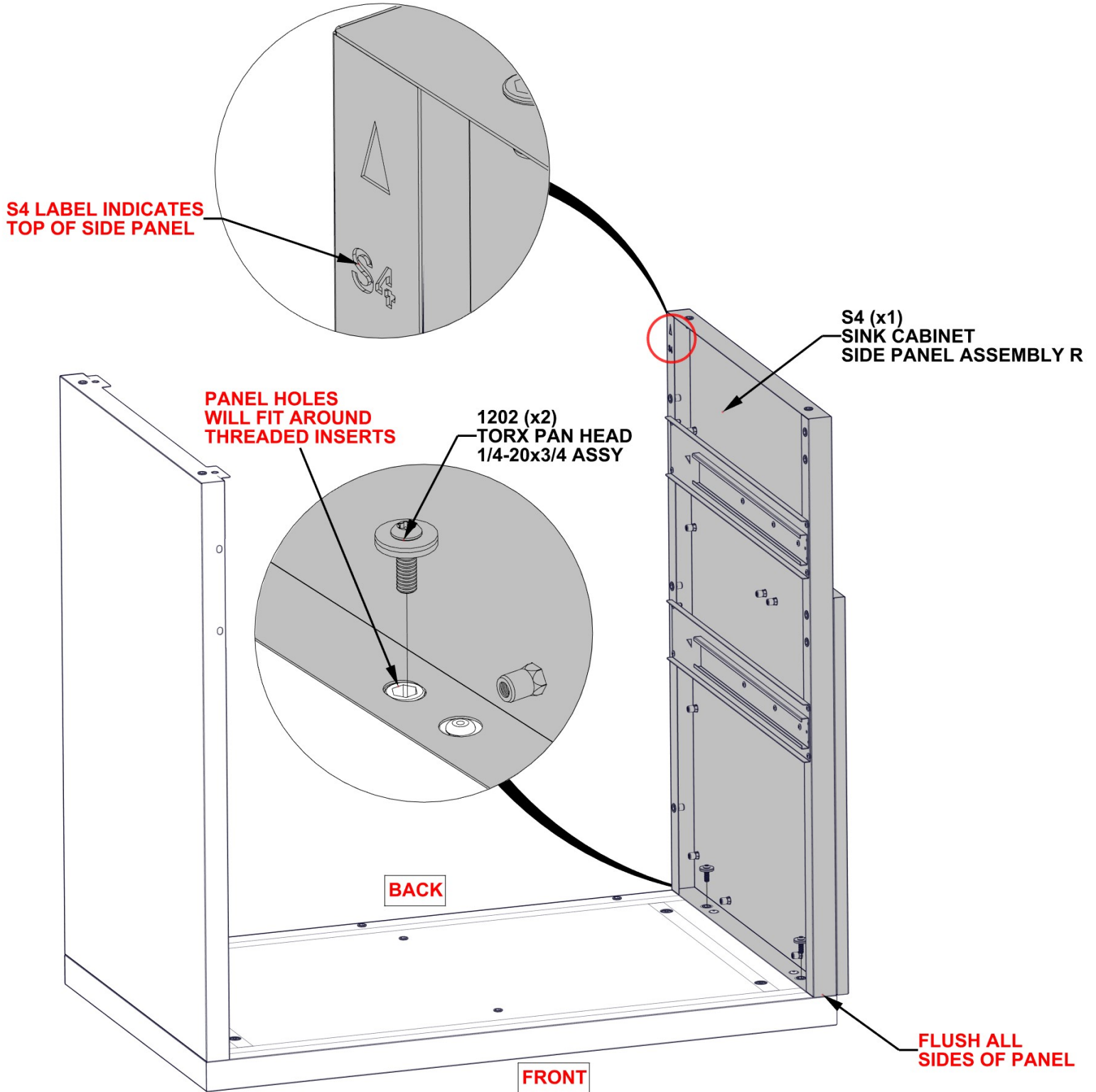


STEP 6 - SINK CABINET ASSEMBLY

Qty	PartNo	Description
2	H101202	TORX PAN HEAD 1/4-20x3/4 ASSY

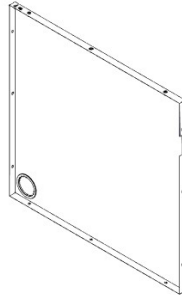


S4 SINK CABINET SIDE PANEL ASSEMBLY R - A4M03563
 (x1) 33 3/8"x23 3/8"x2 5/8" (67x594x848.20)



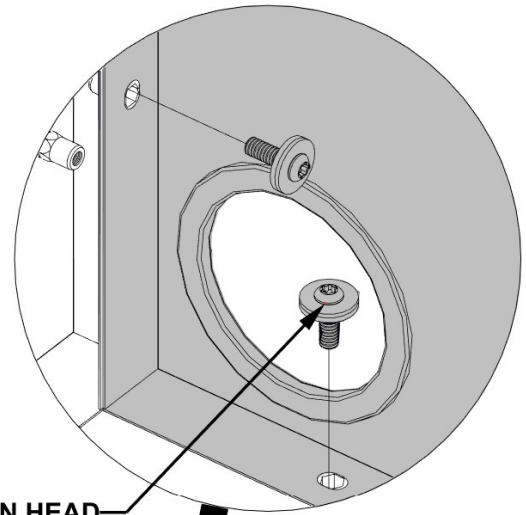
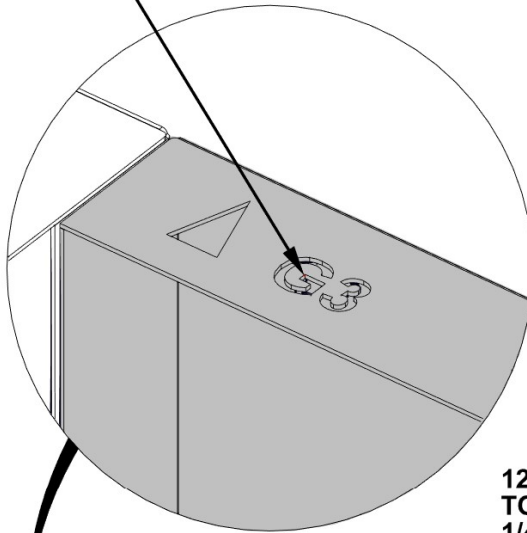
STEP 7 - SINK CABINET ASSEMBLY

Qty	PartNo	Description
9	H101202	TORX PAN HEAD 1/4-20x3/4 ASSY

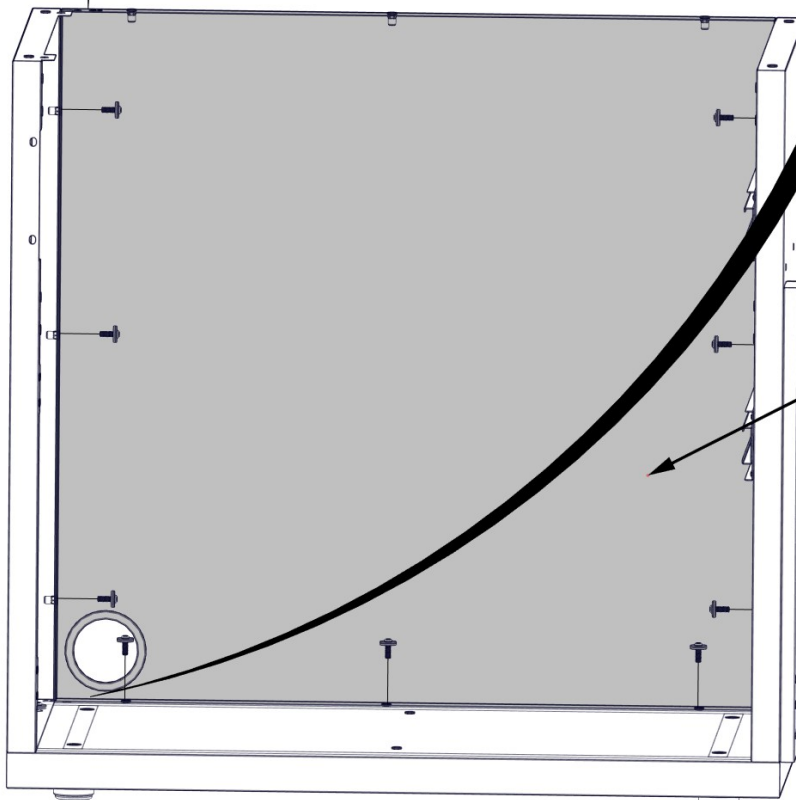


G3 SINK CABINET BACK PANEL ASSEMBLY - A4M03564
(x1) 34 5/16"x33 3/8"x1 3/16" (30x847.2x872)

**G3 LABEL INDICATES
TOP OF BACK PANEL**



**1202 (x9)
TORX PAN HEAD
1/4-20x3/4 ASSY**

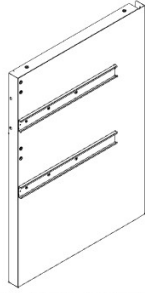


**G3 (x1)
SINK CABINET BACK
PANEL ASSEMBLY**

FRONT

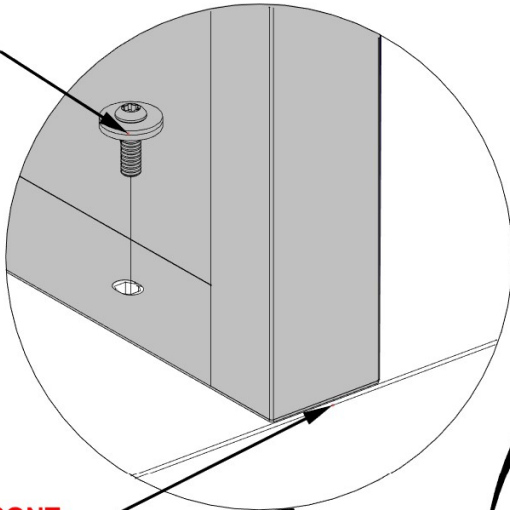
STEP 8 - SINK CABINET ASSEMBLY

Qty	PartNo	Description
2	H101202	TORX PAN HEAD 1/4-20x3/4 ASSY

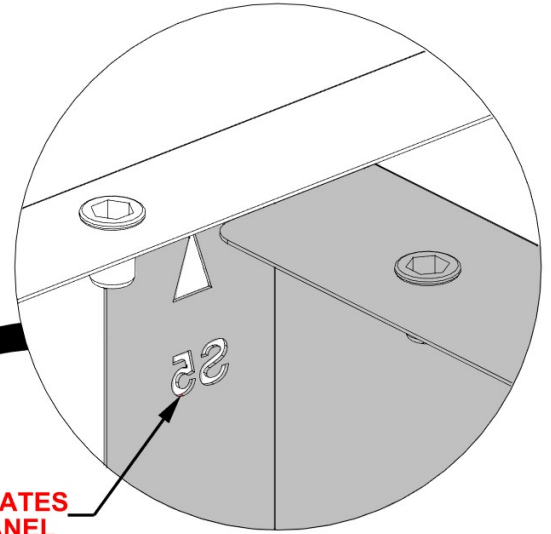


S5 SINK CABINET SIDE PANEL ASSEMBLY M - A4M03567
 (x1) 33 3/8"x23 3/8"x2 3/16" (56.2x593x847)

1202 (x2)
 TORX PAN HEAD
 1/4-20x3/4 ASSY

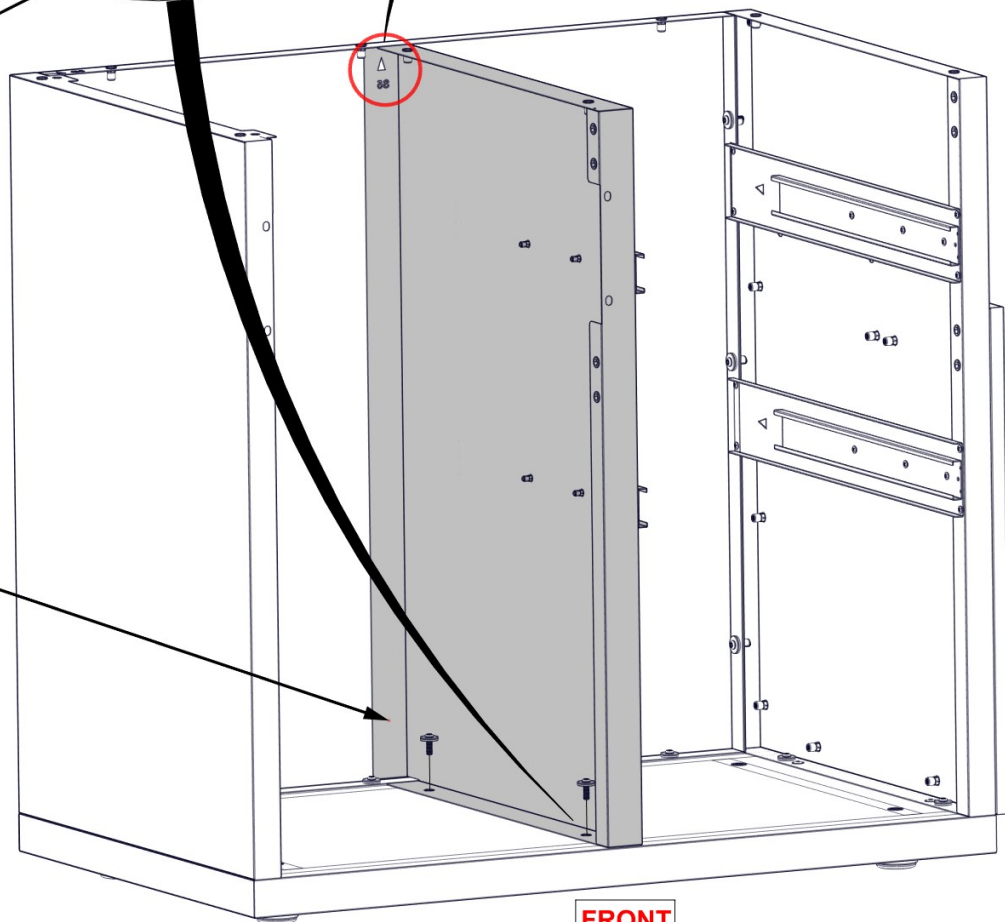


FLUSH FRONT
 SURFACE



S5 LABEL INDICATES
 TOP OF SIDE PANEL

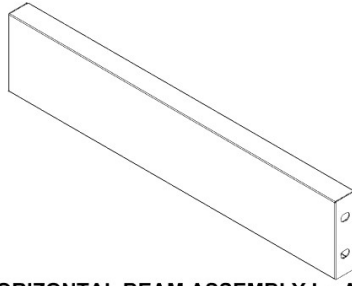
S5 (x1)
 SINK CABINET SIDE
 PANEL ASSEMBLY M



FRONT

STEP 9 - SINK CABINET ASSEMBLY

Qty	PartNo	Description
16	H101202	TORX PAN HEAD 1/4-20x3/4 ASSY



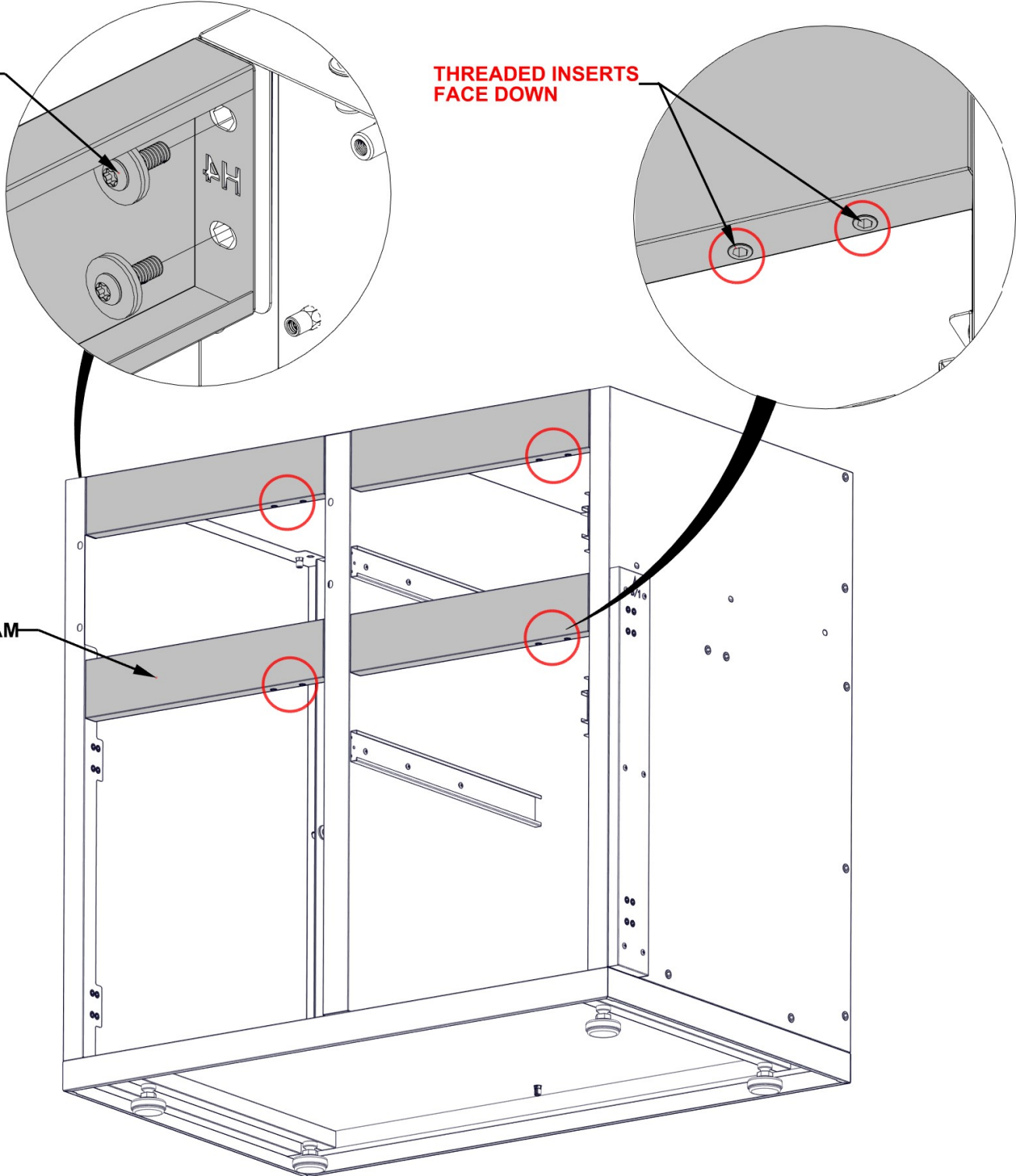
H4 HORIZONTAL BEAM ASSEMBLY L - A4M03575
(x4) 16 1/4"x3 3/8"x1" (25x85x413)

- HARDWARE ATTACHES ON INSIDE OF CABINET

1202 (x16)
TORX PAN HEAD
1/4-20x3/4 ASSY

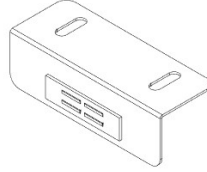
THREADED INSERTS
FACE DOWN

H4 (x4)
HORIZONTAL BEAM
ASSEMBLY L

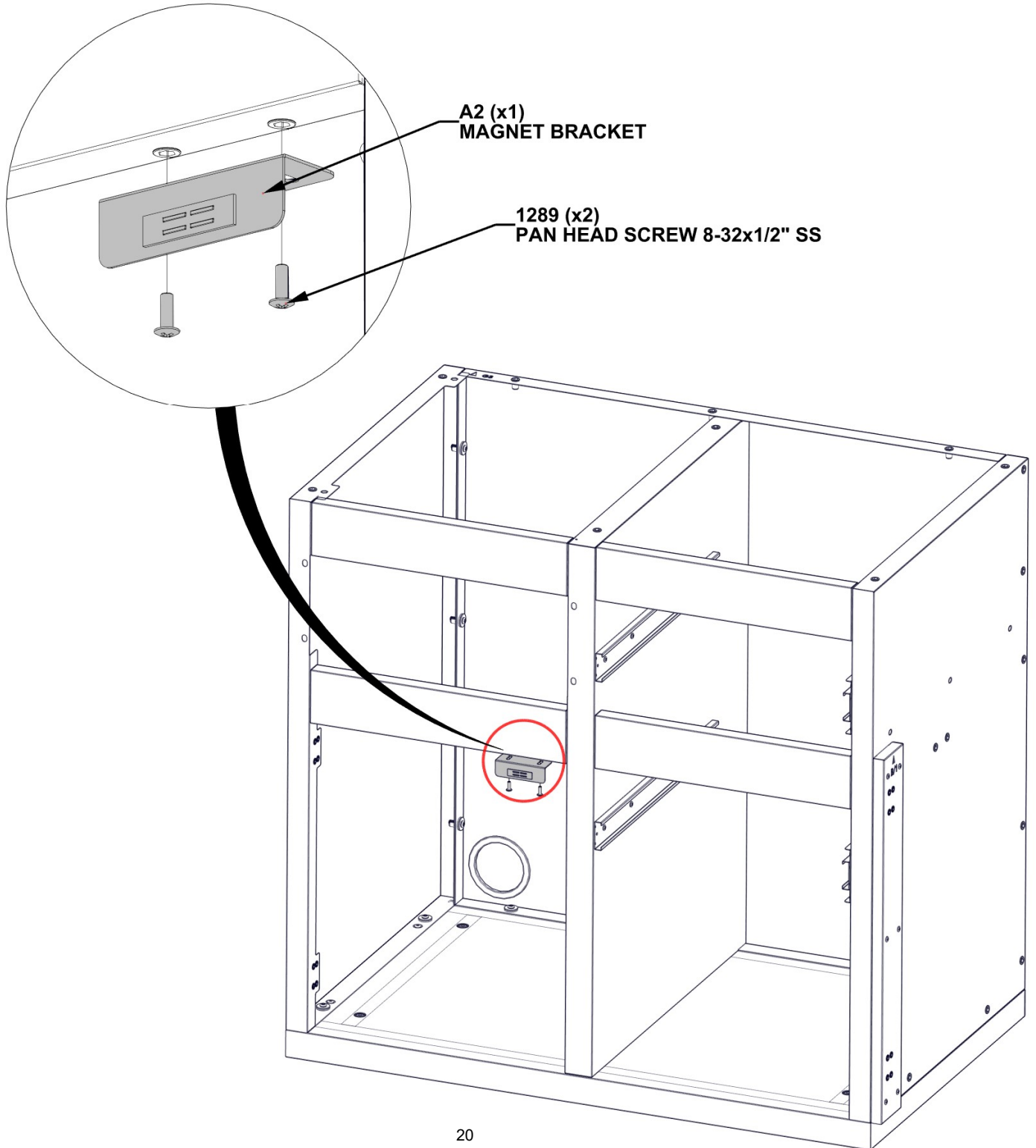


STEP 10 - SINK CABINET ASSEMBLY

Qty	PartNo	Description
2	H101289	PAN HEAD SCREW 8-32x1/2" SS



A2 MAGNET BRACKET - A4M03026
(x1) 1"x1 1/4"x3 1/8" (25x31x80)

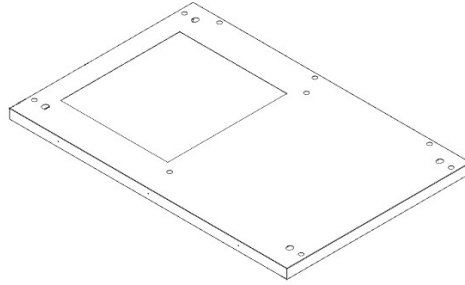


A2 (x1)
MAGNET BRACKET

1289 (x2)
PAN HEAD SCREW 8-32x1/2" SS

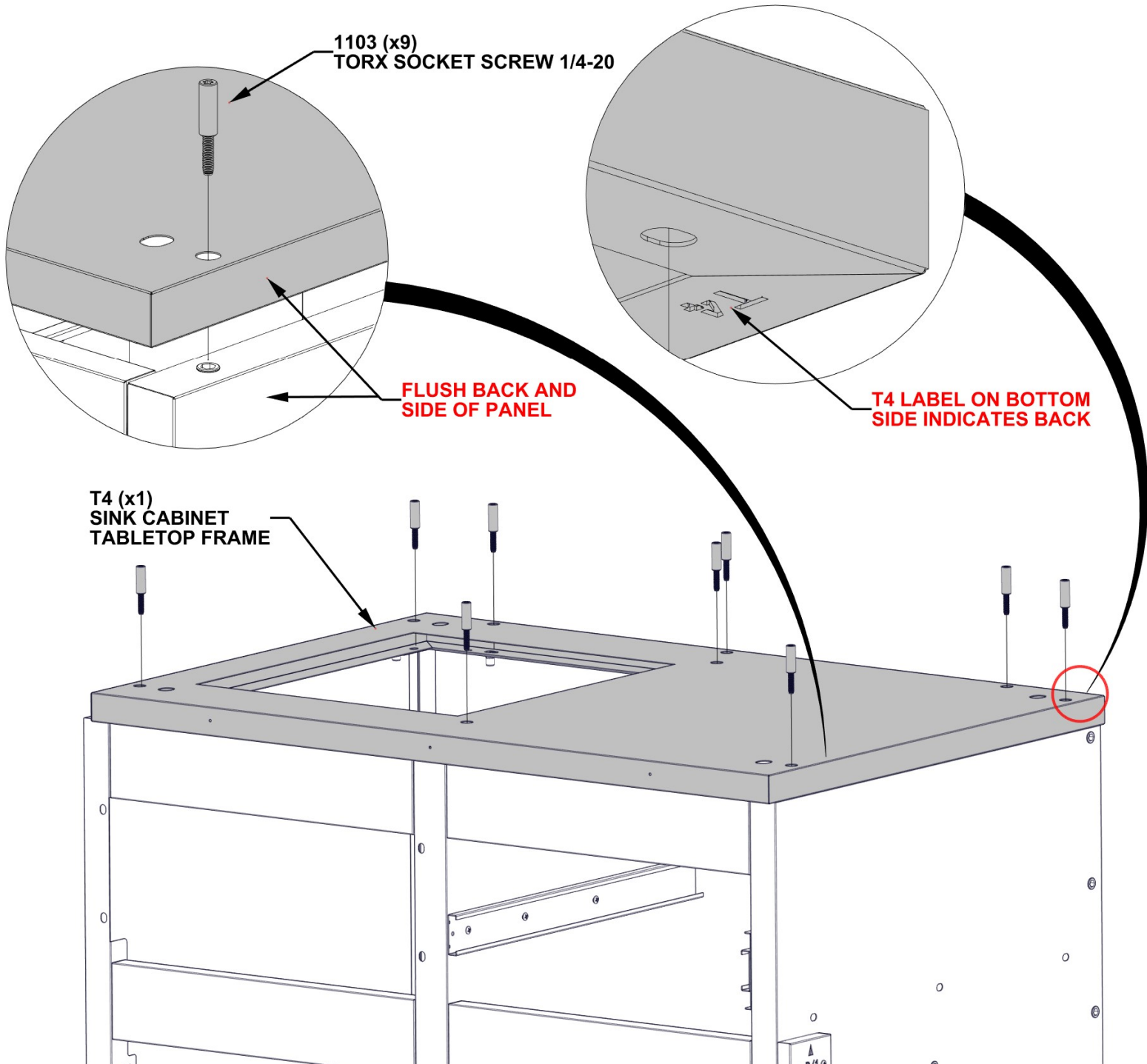
STEP 11 - SINK CABINET ASSEMBLY

Qty	PartNo	Description
9	H101103	TORX SOCKET SCREW 1/4-20

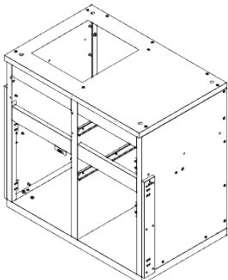


T4 SINK CABINET TABLETOP FRAME - A4M04540
(x1) 36 3/8"x24 1/8"x1 1/4" (32x612x925)

- FLUSH BACK AND SIDE OF PANEL ASSEMBLY.
- **SQUARE ALL SIDES OF CABINET BEFORE TIGHTENING HARDWARE.**

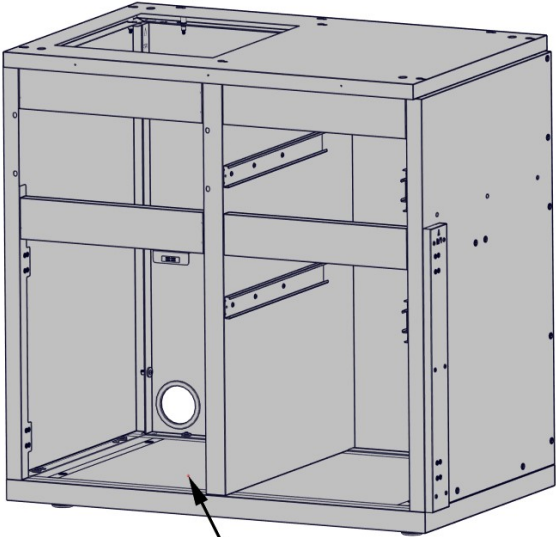


STEP 12 - SINK CABINET INSTALLATION

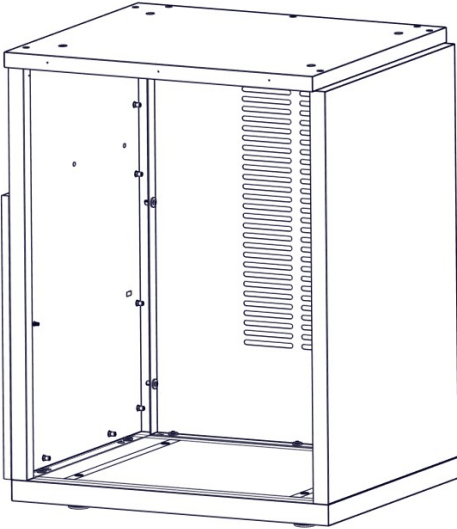


SINK CABINET FROM STEPS 5 - 11

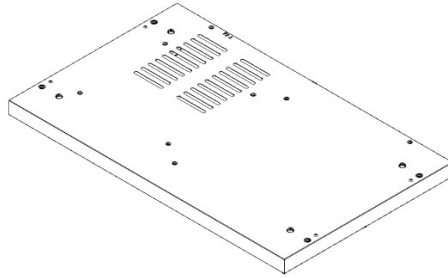
- POSITION SINK CABINET ASSEMBLY ON THE LEFT SIDE OF FRIDGE CABINET.
- DISTANCE BETWEEN FRIDGE CABINET WILL BE DETERMINED IN NEXT STEP.



SINK CABINET FROM STEPS 5 - 11

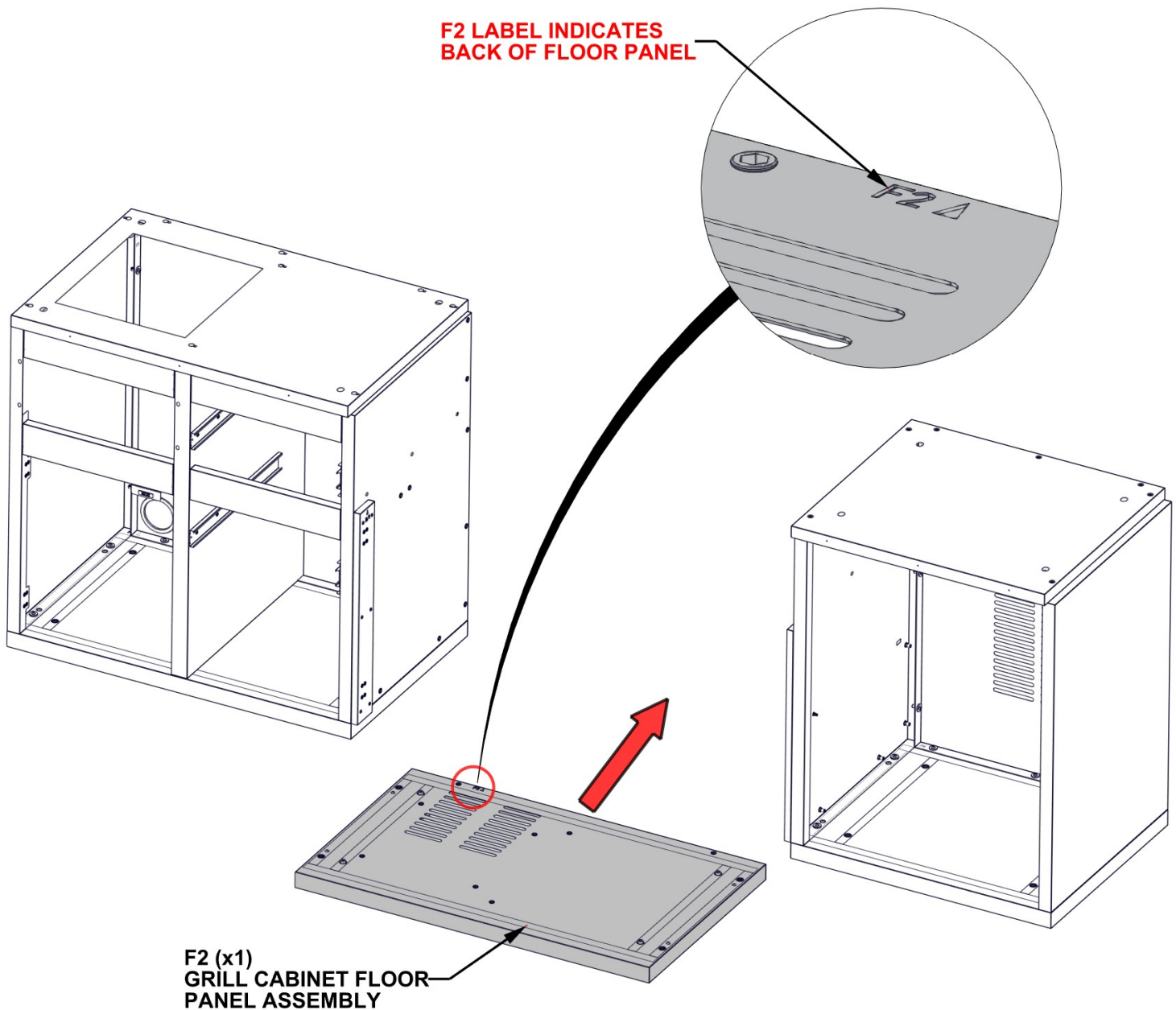


STEP 13 - GRILL CABINET ASSEMBLY



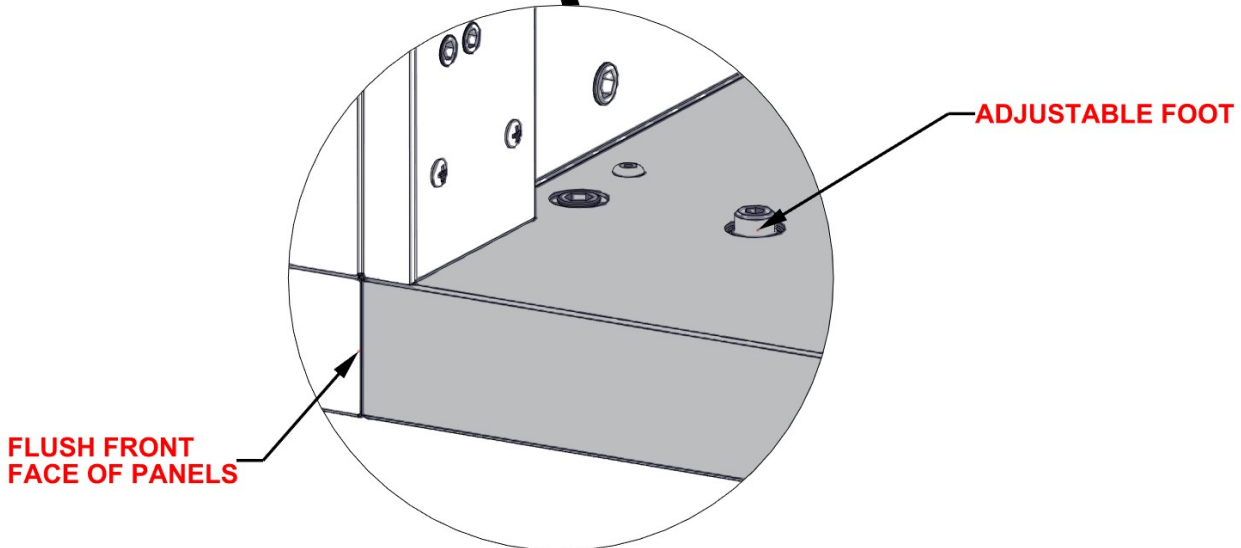
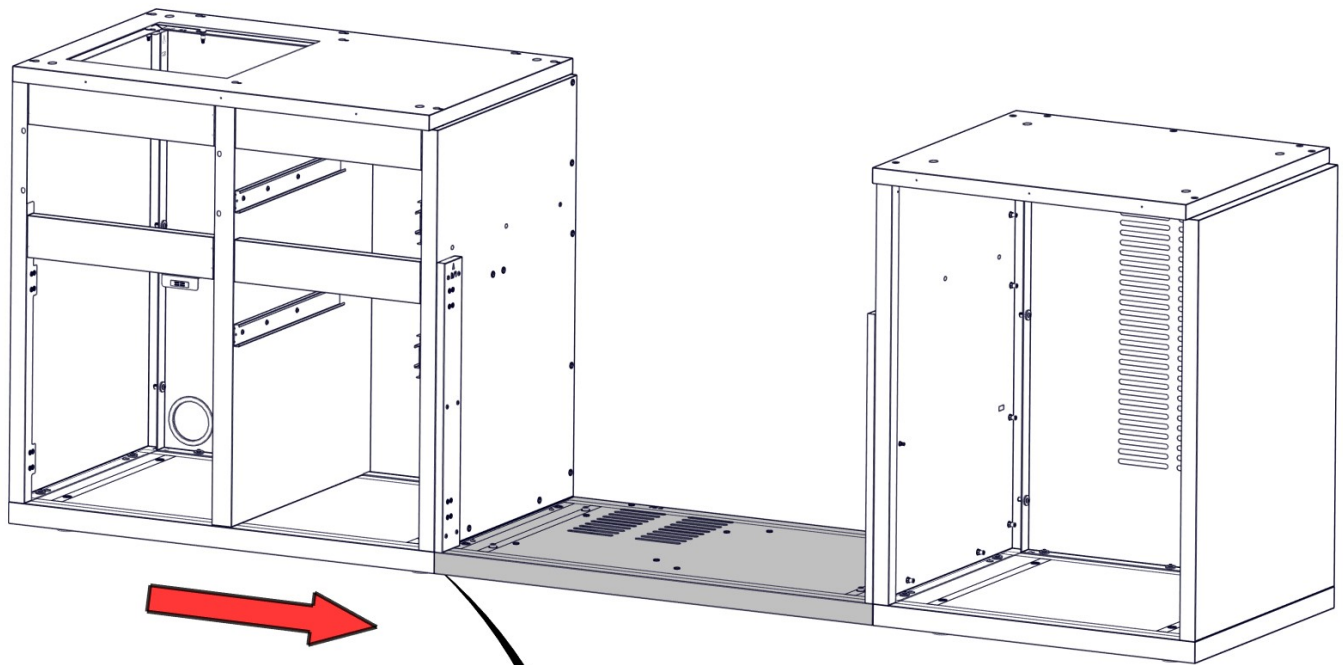
F2 GRILL CABINET FLOOR PANEL ASSEMBLY - A4M03048
(x1) 2 5/8"x23 3/8"x38 1/4" (66x594x972)

**- LOOKING AT THE FRONT SIDE OF THE CABINETS,
SLIDE FLOOR PANEL IN BETWEEN SINK AND FRIDGE CABINETS.**



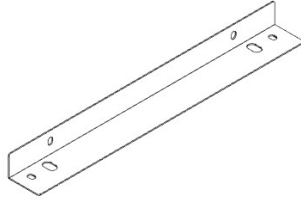
STEP 14 - GRILL CABINET ASSEMBLY

- POSITION FLOOR PANEL AS SHOWN BELOW.
- EACH FLOOR PANEL HAS FACTORY INSTALLED ADJUSTABLE FEET. USE PROVIDED HEX DRIVER TO ADJUST EACH FOOT UNTIL PANEL IS LEVEL.

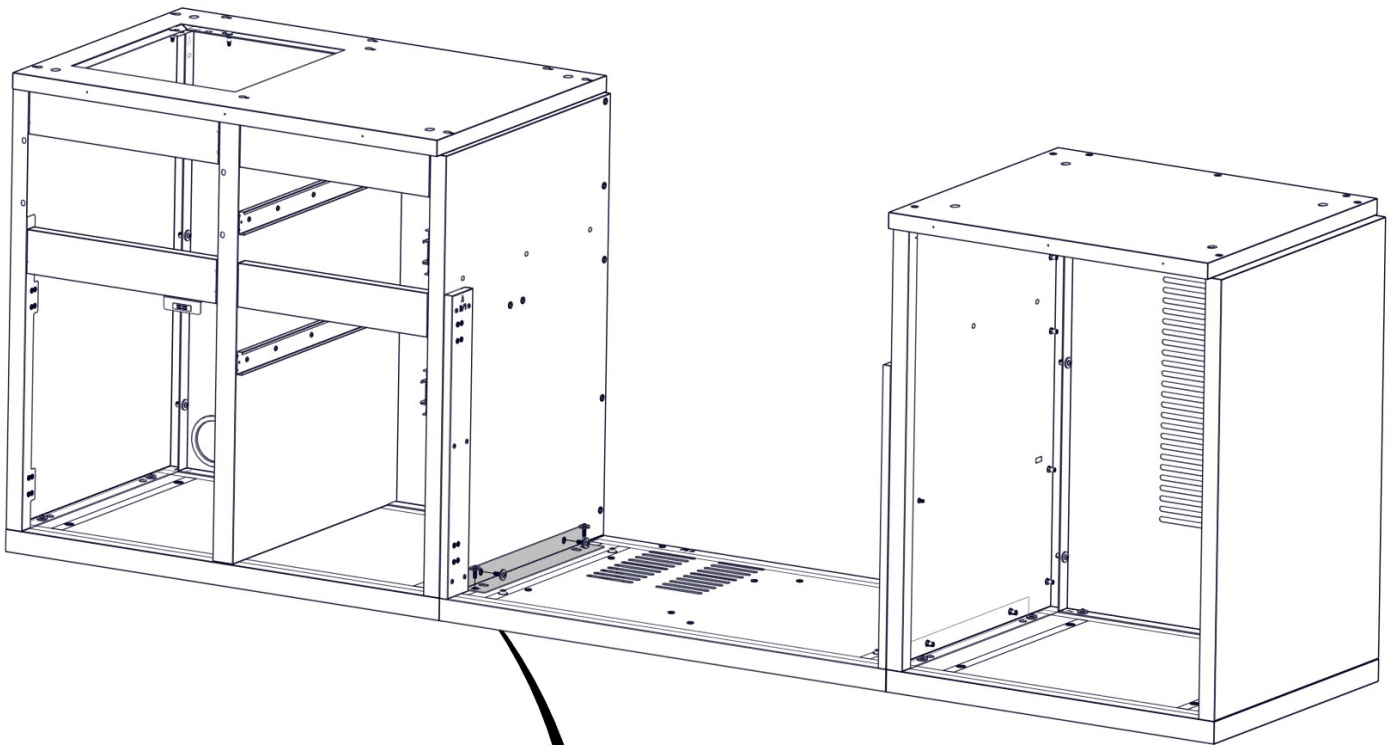


STEP 15 - GRILL CABINET ASSEMBLY

Qty	PartNo	Description
4	H101202	TORX PAN HEAD 1/4-20x3/4 ASSY



A6 ANGLED BRACKET - A4M03053
(x1) 1 3/8" x 1 15/16" x 17 1/8" (35x50x435)



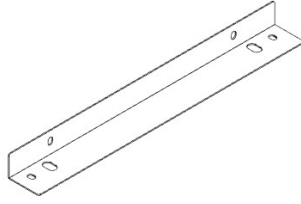
A6 (x1)
ANGLED BRACKET

1202 (x4)
TORX PAN HEAD 1/4-20x3/4 ASSY

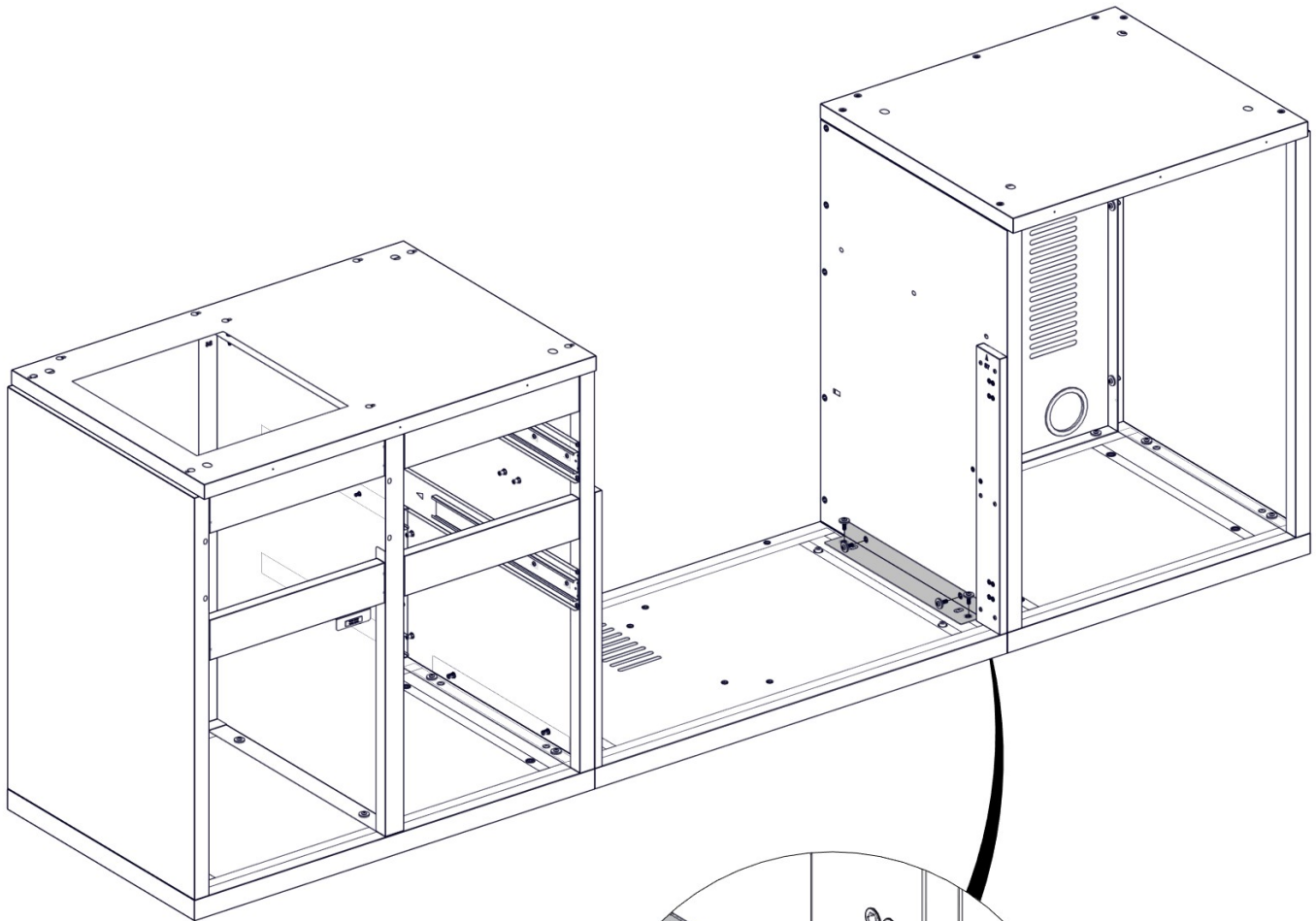
**MAKE SURE FRONT
FACE OF FLOOR
PANELS ARE FLUSH**

STEP 16 - GRILL CABINET ASSEMBLY

Qty	PartNo	Description
4	H101202	TORX PAN HEAD 1/4-20x3/4 ASSY



A6 ANGLED BRACKET - A4M03053
(x1) 1 3/8"x1 15/16"x17 1/8" (35x50x435)



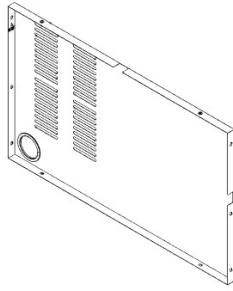
1202 (x4)
TORX PAN HEAD 1/4-20x3/4 ASSY

A6 (x1)
ANGLED BRACKET

**MAKE SURE FRONT
FACE OF FLOOR
PANELS ARE FLUSH**

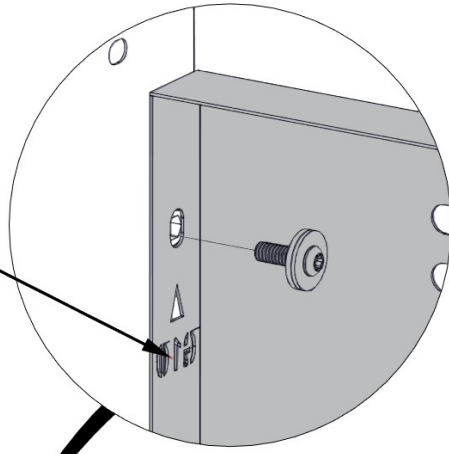
STEP 17 - GRILL CABINET ASSEMBLY

Qty	PartNo	Description
8	H101202	TORX PAN HEAD 1/4-20x3/4 ASSY

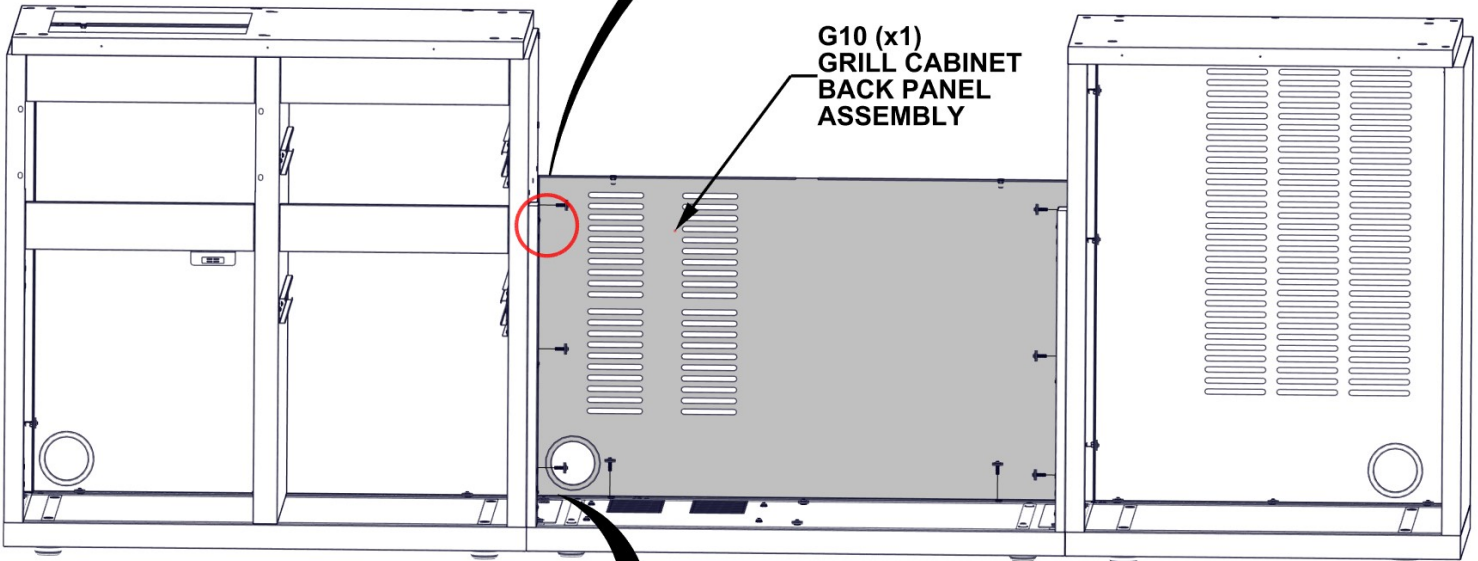


G10 GRILL CABINET BACK PANEL ASSEMBLY - A4M03055
(x1) 1 3/16"x22 7/8"x38 3/16" (30x581x970)

**G10 LABEL INDICATES
TOP OF BACK PANEL**

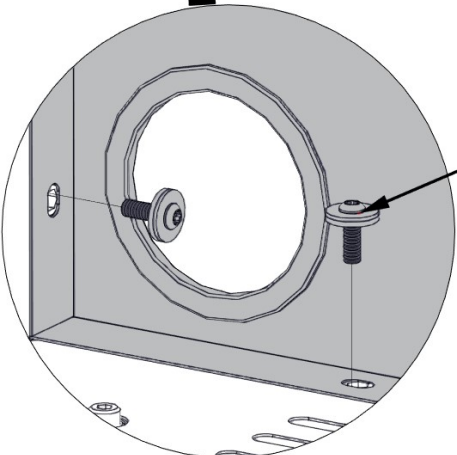


**G10 (x1)
GRILL CABINET
BACK PANEL
ASSEMBLY**



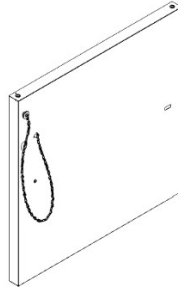
**1202 (x8)
TORX PAN HEAD 1/4-20x3/4 ASSY**

HAND TIGHTEN ONLY

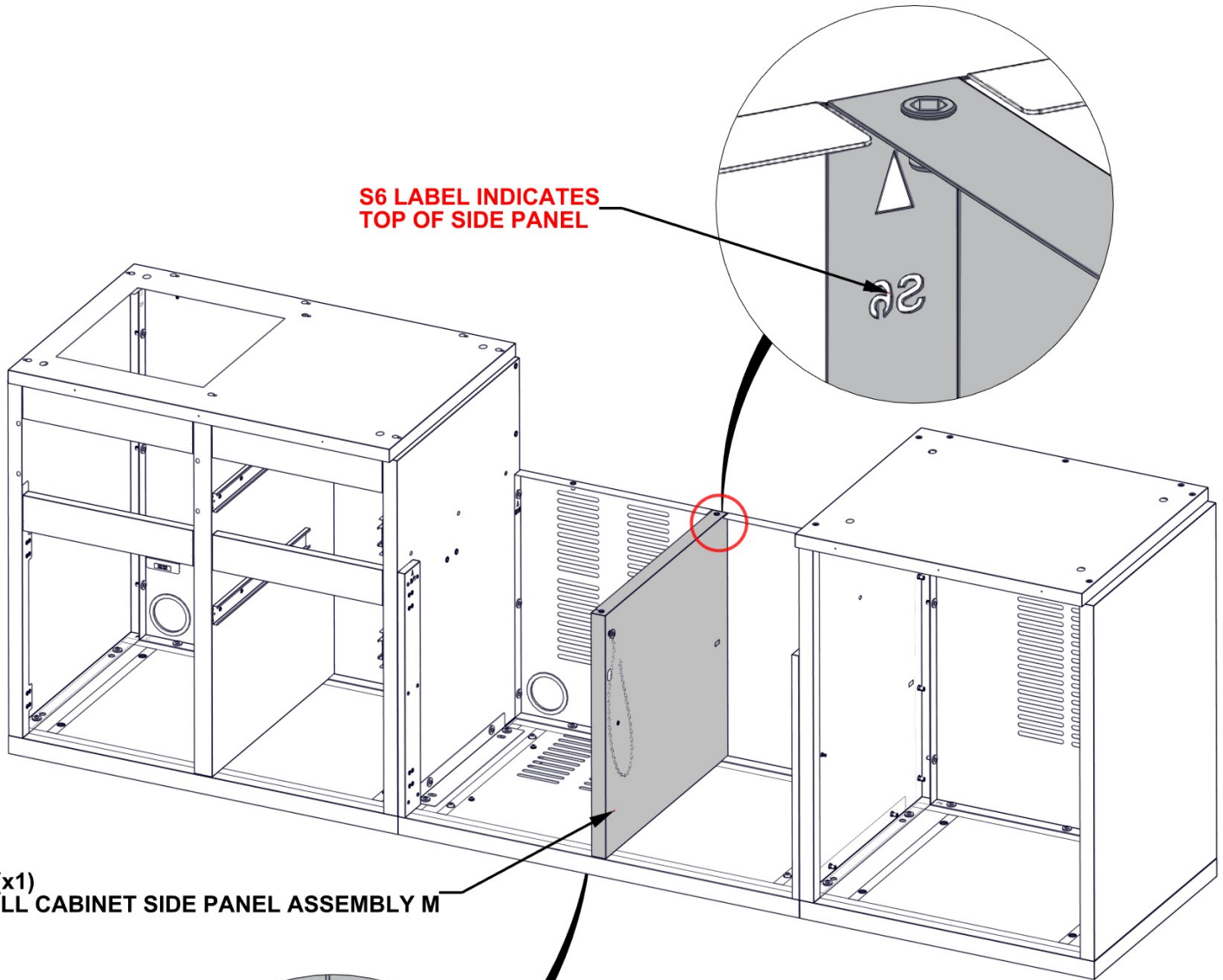


STEP 18 - GRILL CABINET ASSEMBLY

Qty	PartNo	Description
2	H101202	TORX PAN HEAD 1/4-20x3/4 ASSY



S6 GRILL CABINET SIDE PANEL ASSEMBLY M - A4M03586
 (x1) 23 3/8"x22 7/8"x1 3/8" (35x581x593)



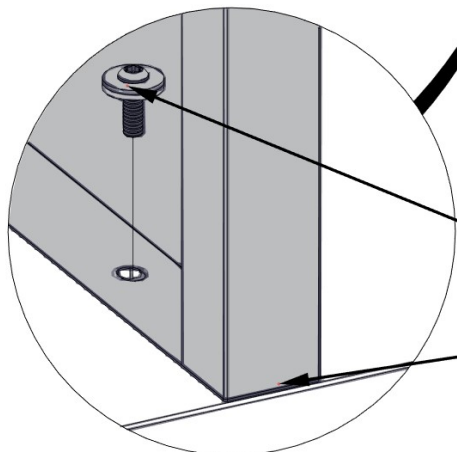
S6 LABEL INDICATES TOP OF SIDE PANEL

S6 (x1) GRILL CABINET SIDE PANEL ASSEMBLY M

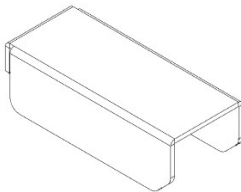
TIGHTEN ALL HARDWARE

1202 (x2) TORX PAN HEAD 1/4-20x3/4 ASSY

FLUSH FRONT FACE OF SIDE PANEL WITH FLOOR PANEL



STEP 19A - GRILL CABINET ASSEMBLY



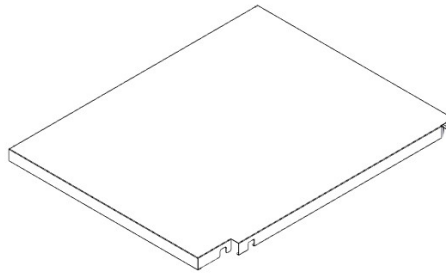
A5 SHELF BRACKET - A4M03141
(x2) 5/8"x7/8"x2 1/16" (16x22x53)

- BRACKETS WILL BE TOWARD THE BACK OF THE GRILL CABINET.
- ATTACH SHELF BRACKETS ON BOTH SIDES OF CENTER GRILL CABINET.



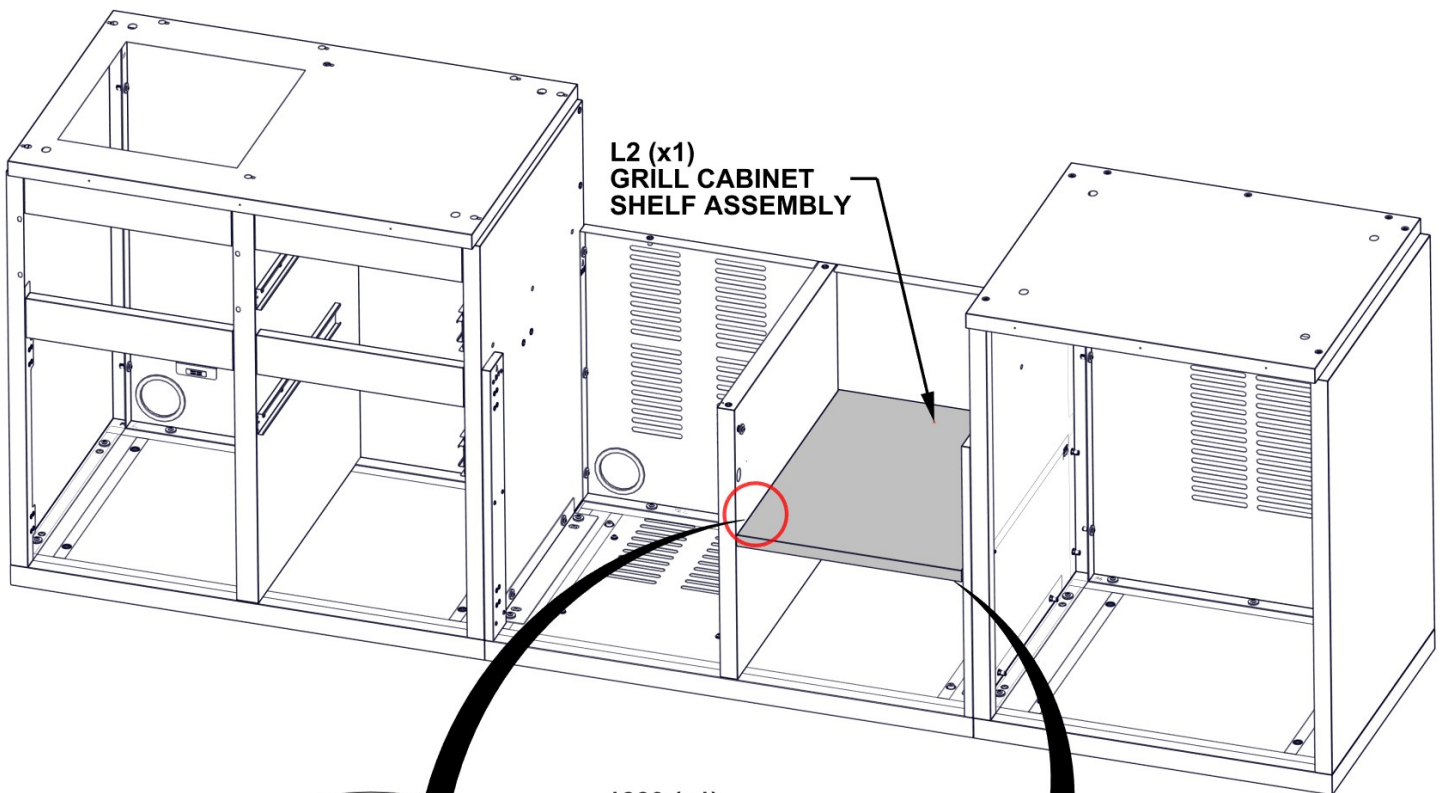
STEP 19B - GRILL CABINET ASSEMBLY

Qty	PartNo	Description
3	H101289	PAN HEAD SCREW 8-32x1/2" SS

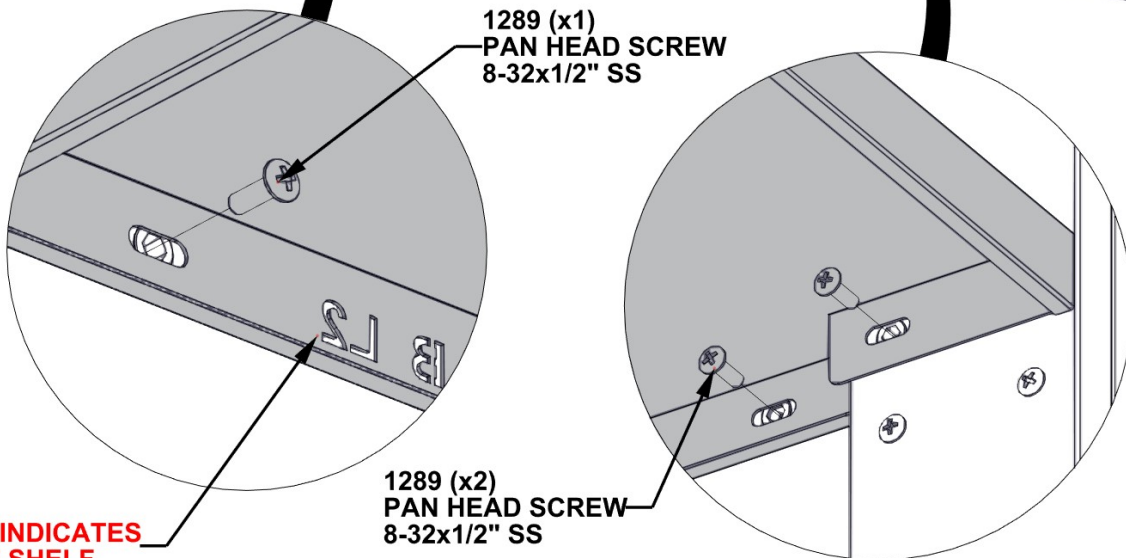


L2 GRILL CABINET SHELF ASSEMBLY - A4M03589
(x1) 23 1/4"x18 3/8"x1" (25.00x467.00x591.00)

- ALIGN SHELF WITH THREADED INSERTS AND ATTACH HARDWARE TO FASTEN IN PLACE.



L2 (x1)
GRILL CABINET
SHELF ASSEMBLY



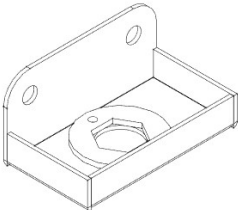
1289 (x1)
PAN HEAD SCREW
8-32x1/2" SS

1289 (x2)
PAN HEAD SCREW
8-32x1/2" SS

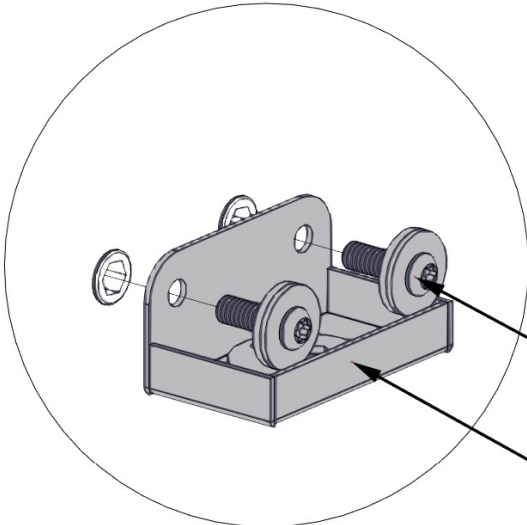
L2 LABEL INDICATES
FRONT OF SHELF

STEP 20 - GRILL CABINET ASSEMBLY

Qty	PartNo	Description
2	H101202	TORX PAN HEAD 1/4-20x3/4 ASSY

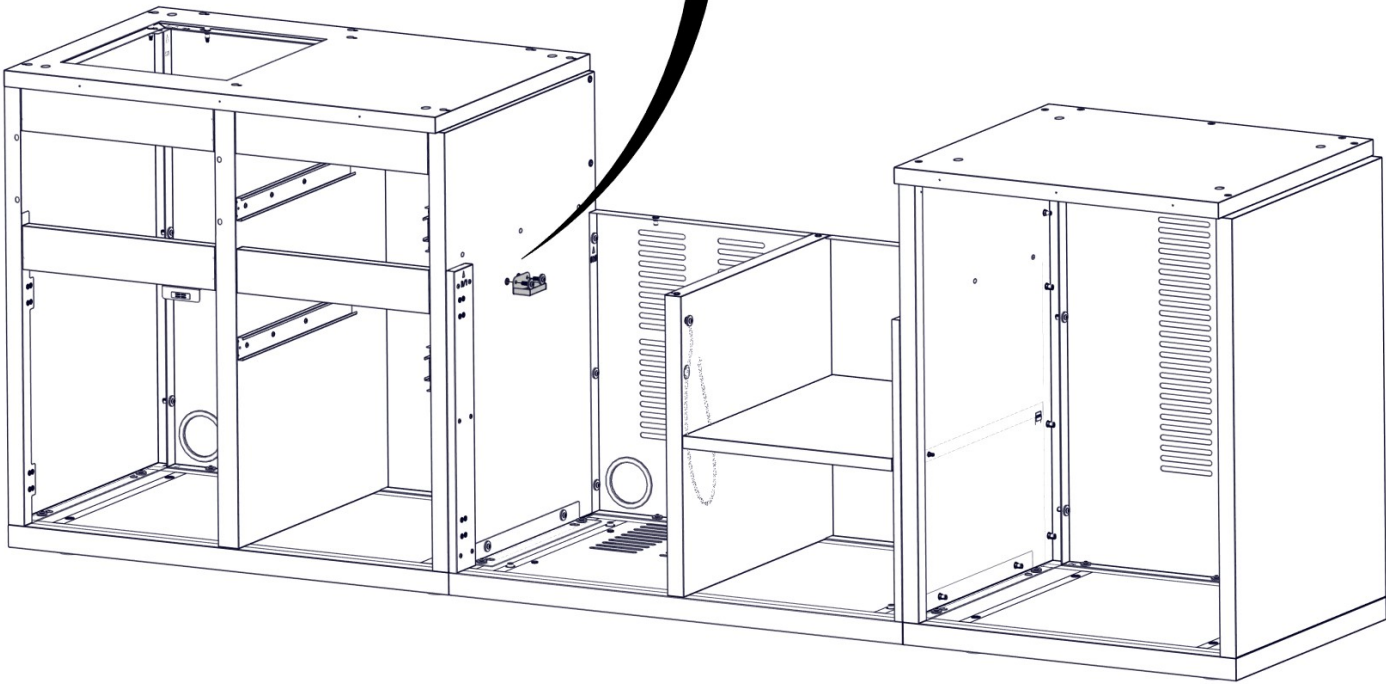


A9 HOSE BRACKET ASSEMBLY - A4M03060
(x1) 1 1/4"x1 7/16"x2 9/16" (31.5x36.5x65)



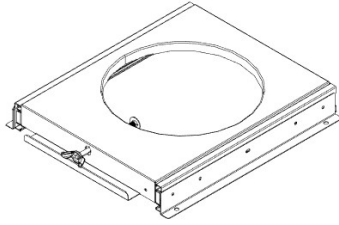
1202 (x2)
TORX PAN HEAD 1/4-20x3/4 ASSY

A9 (x1)
HOSE BRACKET ASSEMBLY

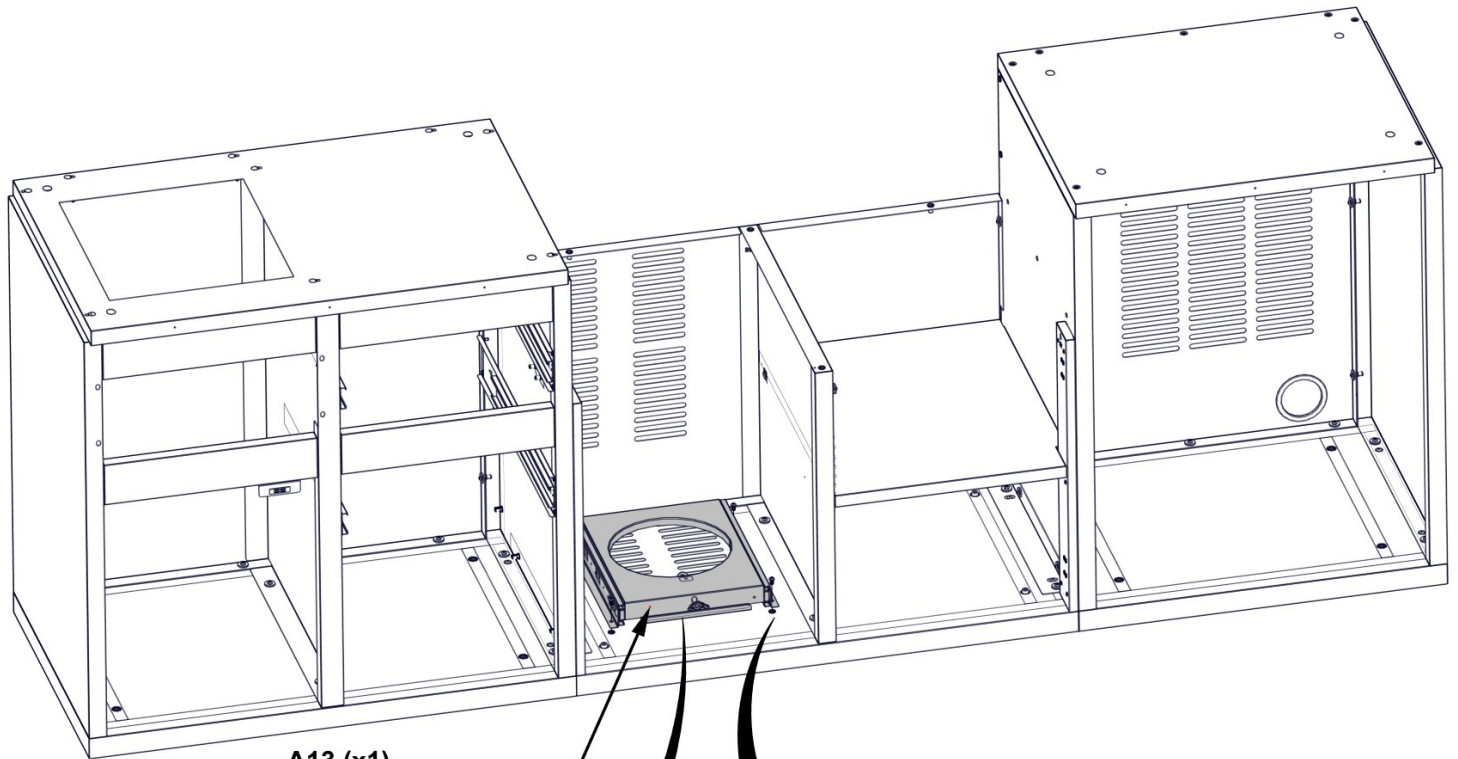


STEP 21 - GRILL CABINET ASSEMBLY

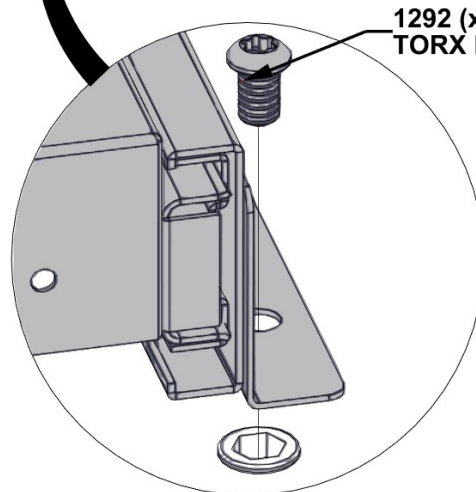
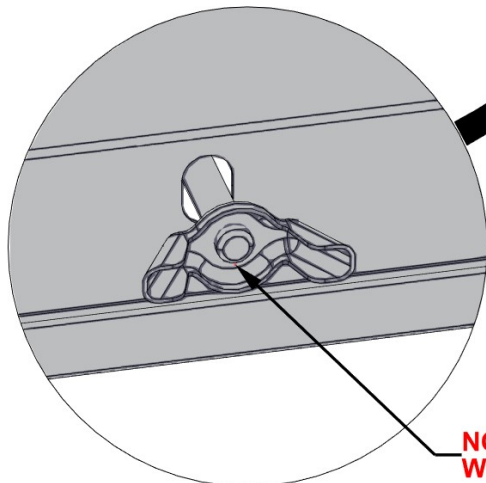
Qty	PartNo	Description
4	H101292	TORX PAN HEAD 1/4-20x13/32"



A13 GAS TANK HOLDER ASSEMBLY - A4M03047
(x1) 1 15/16"x12 7/8"x14 3/4" (49x327x374)



A13 (x1)
GAS TANK HOLDER
ASSEMBLY

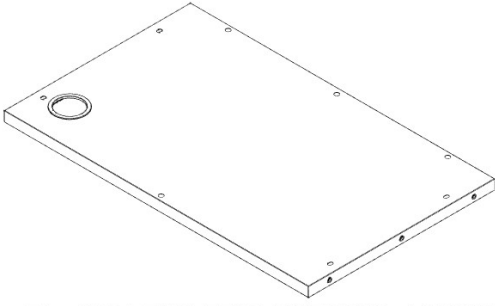


1292 (x4)
TORX PAN HEAD 1/4-20x13/32"

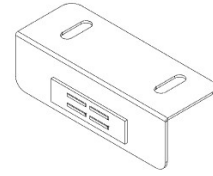
NOTE ORIENTATION OF
WING NUT TOWARDS FRONT

STEP 22 - GRILL CABINET ASSEMBLY

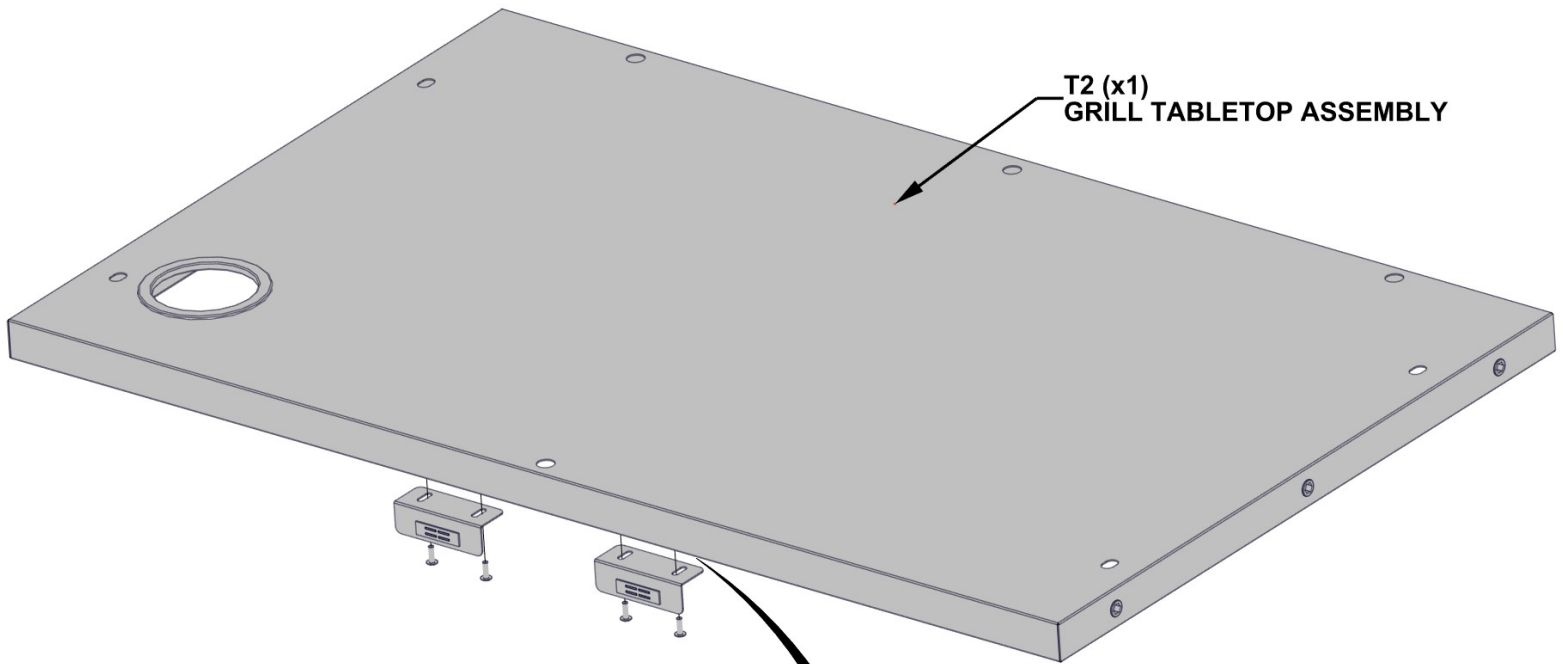
Qty	PartNo	Description
4	H101289	PAN HEAD SCREW 8-32x1/2" SS



T2 GRILL TABLETOP ASSEMBLY - A4M03057
 (x1) 1 1/4"x23 3/8"x38 3/16" (32x594x970)



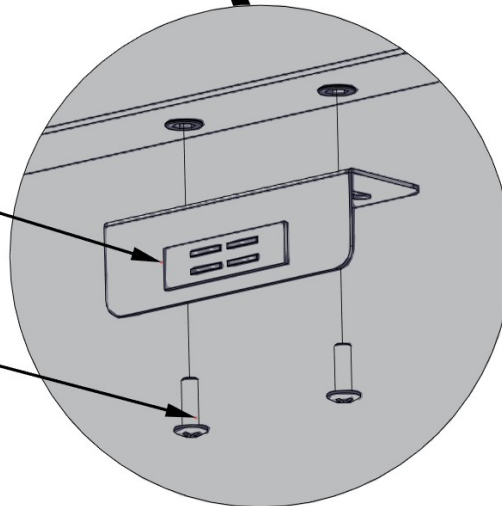
A2 MAGNET BRACKET - A4M03026
 (x2) 1"x1 1/4"x3 1/8" (25x31x80)



T2 (x1)
GRILL TABLETOP ASSEMBLY

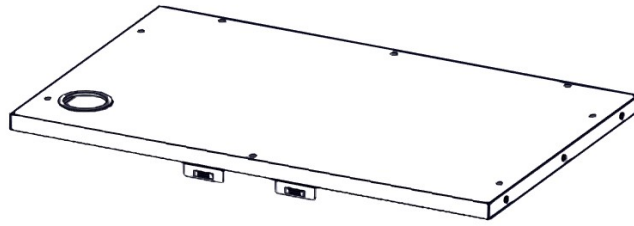
A2 (x2)
MAGNET BRACKET

1289 (x4)
PAN HEAD SCREW 8-32x1/2" SS



STEP 23A - GRILL CABINET ASSEMBLY

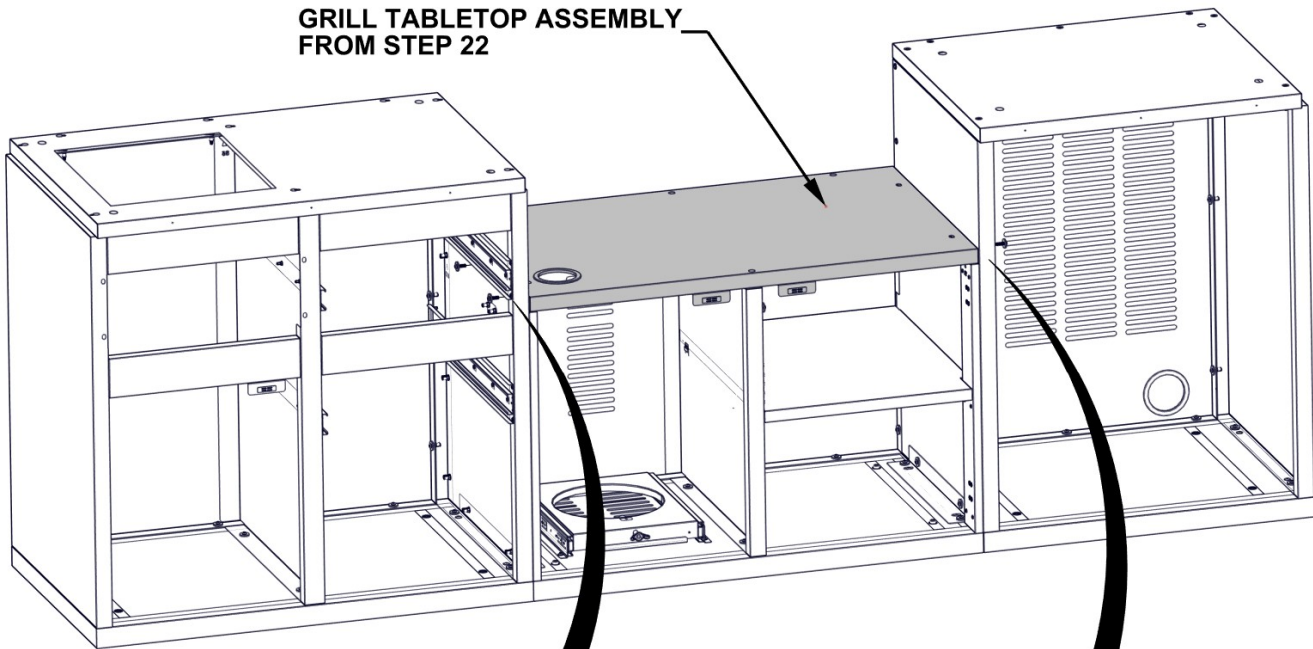
Qty	PartNo	Description
6	H101202	TORX PAN HEAD 1/4-20x3/4 ASSY



GRILL TABLETOP ASSEMBLY FROM STEP 22

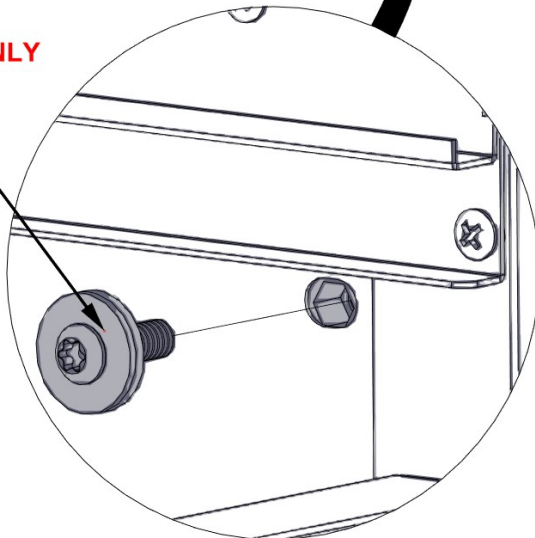
- HARDWARE ATTACHES ON INSIDE OF ADJACENT CABINET.

GRILL TABLETOP ASSEMBLY FROM STEP 22



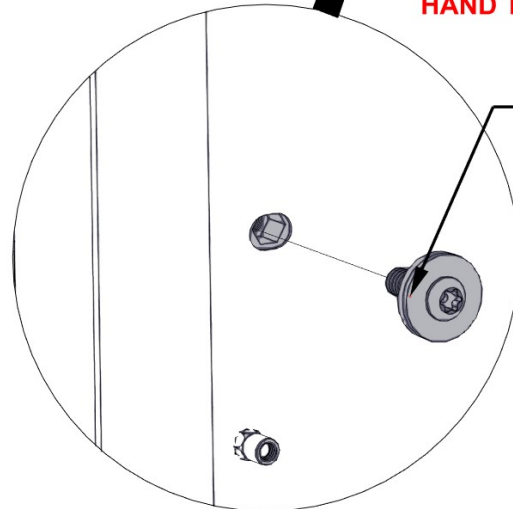
HAND TIGHTEN ONLY

1202 (x3)
TORX PAN HEAD
1/4-20x3/4 ASSY



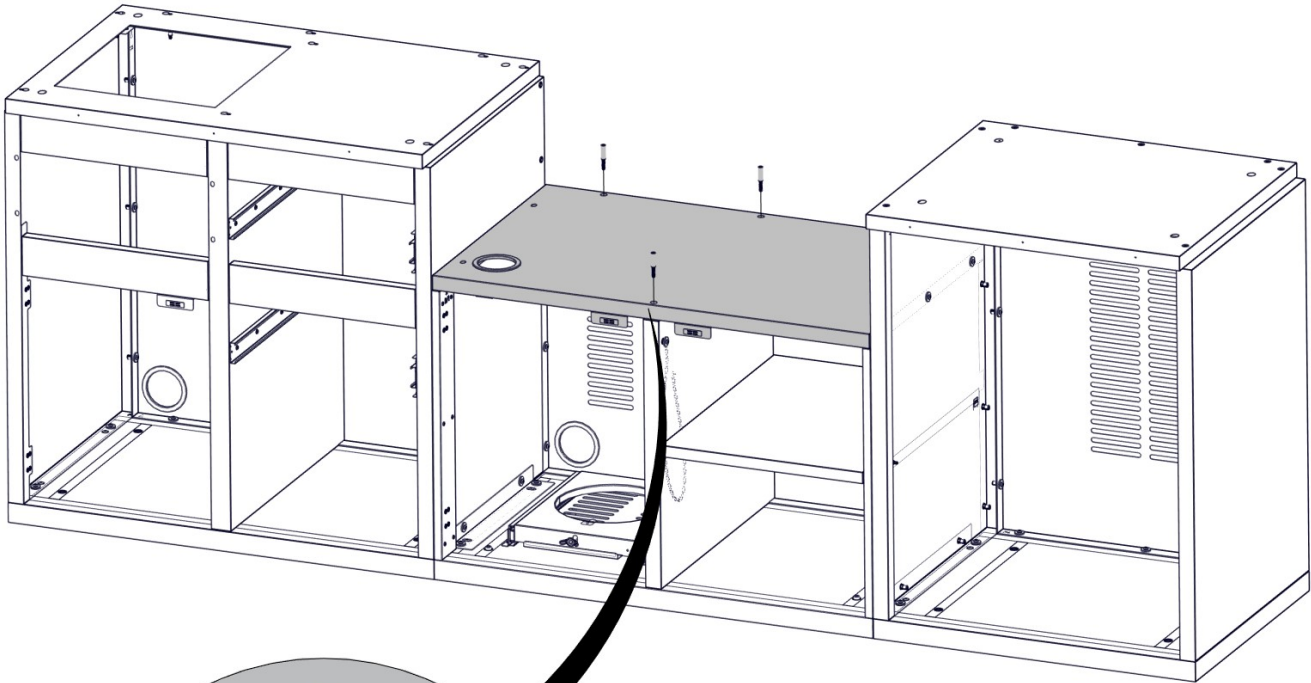
HAND TIGHTEN ONLY

1202 (x3)
TORX PAN HEAD
1/4-20x3/4 ASSY



STEP 23B - GRILL CABINET ASSEMBLY

Qty	PartNo	Description
4	H101103	TORX SOCKET SCREW 1/4-20



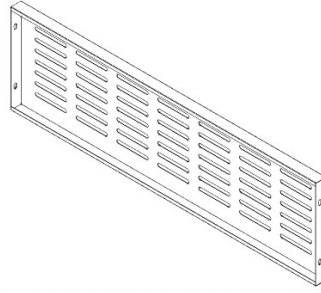
1103 (x4)
TORX SOCKET SCREW 1/4-20

TIGHTEN ALL HARDWARE

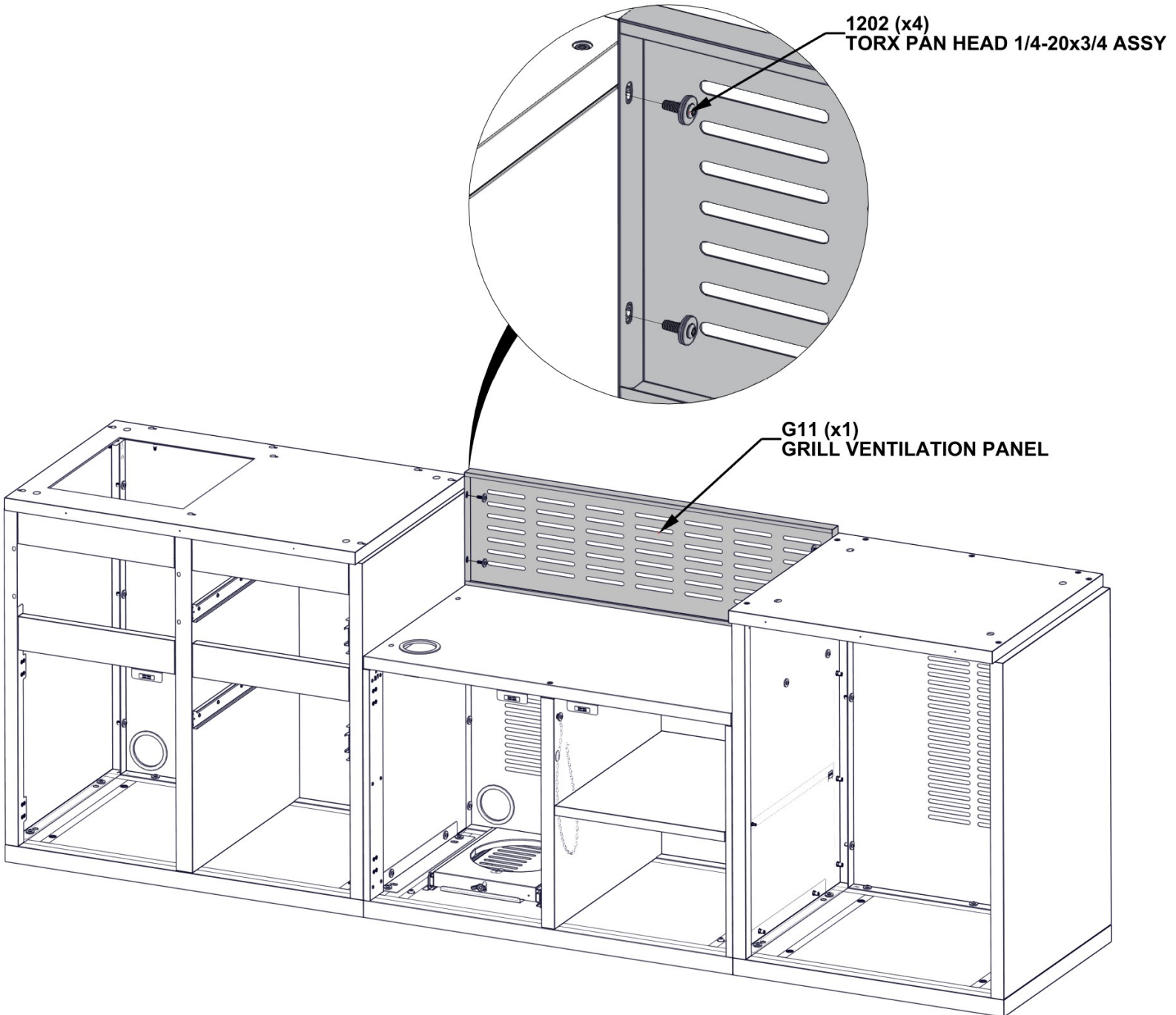
**MAKE SURE FRONT
FACE OF TABLETOP
IS FLUSH WITH
UPRIGHT PANEL**

STEP 24 - GRILL CABINET ASSEMBLY

Qty	PartNo	Description
4	H101202	TORX PAN HEAD 1/4-20x3/4 ASSY

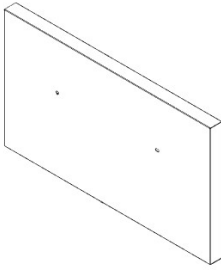


G11 GRILL VENTILATION PANEL - A4M03056
(x1) 1 5/16"x11 3/16"x38 3/16" (33x284x970)

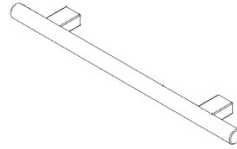


STEP 25 - SINK CABINET FALSE PANEL ASSEMBLY

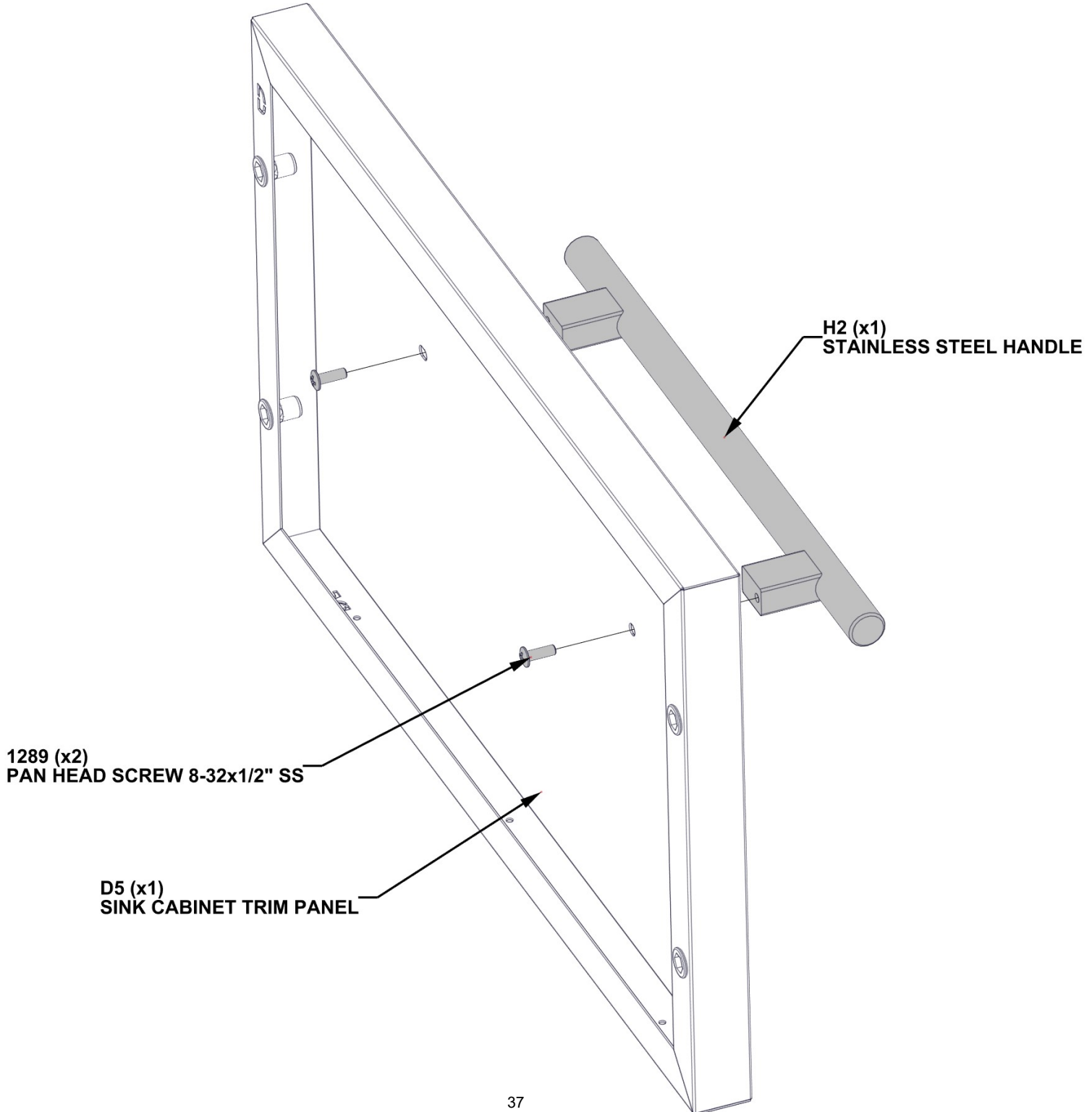
Qty	PartNo	Description
2	H101289	PAN HEAD SCREW 8-32x1/2" SS



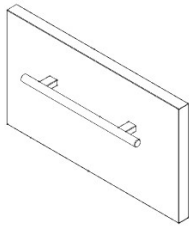
D5 SINK CABINET TRIM PANEL - A4M03576
 (x1) 17 13/16"x10 1/4"x1" (26x260x452)



H2 STAINLESS STEEL HANDLE - A4M03024
 (x1) 5/8"x1 9/16"x11 13/16" (16x40x300)



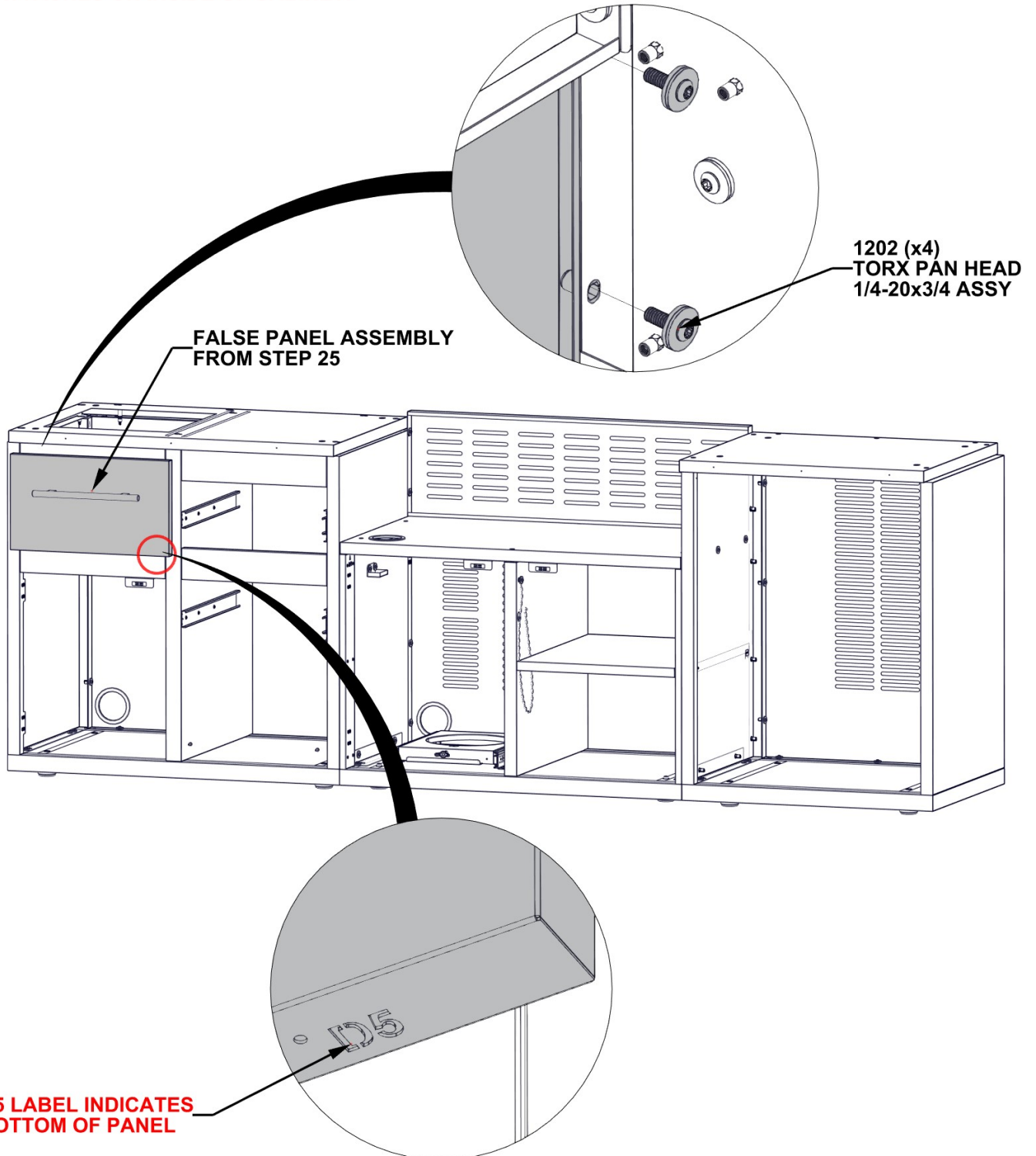
STEP 26 - SINK CABINET FALSE PANEL ATTACHMENT



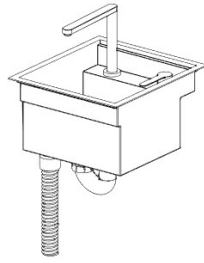
FALSE PANEL ASSEMBLY
FROM STEP 25

Qty	PartNo	Description
4	H101202	TORX PAN HEAD 1/4-20x3/4 ASSY

- HARDWARE ATTACHES ON INSIDE OF CABINET.



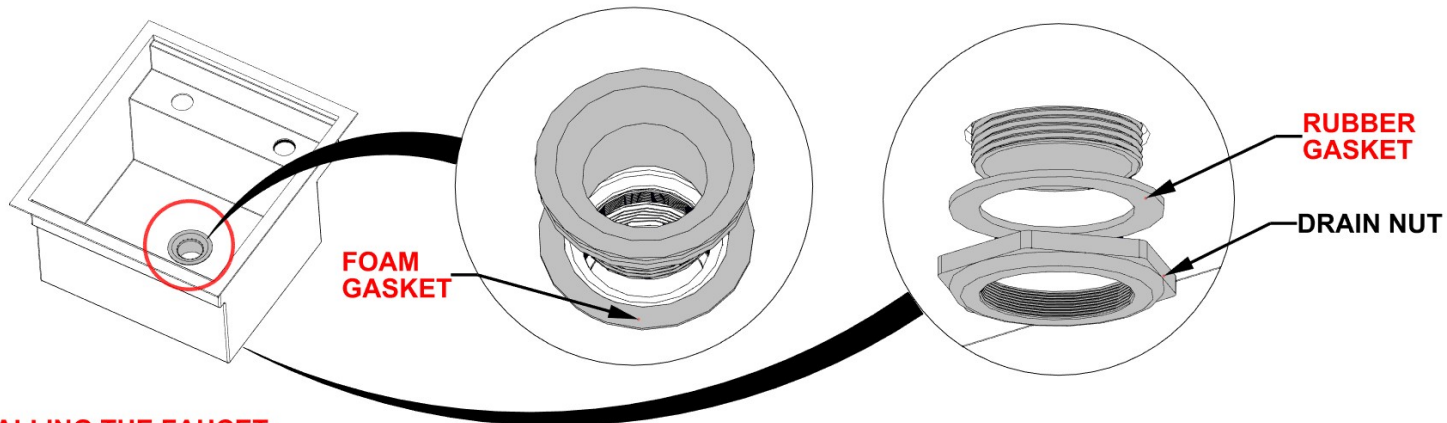
STEP 27A - SINK PRE-ASSEMBLY



A16 SINK ASSEMBLY - A4M03143
(x1) 15 1/8"x15 5/16"x16 7/8" (384x389x429)

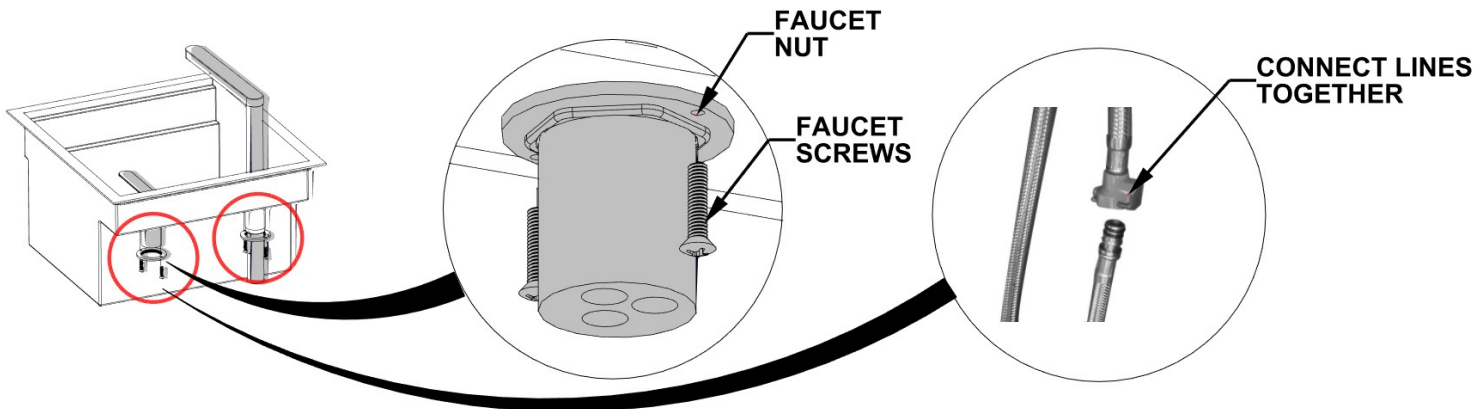
1. INSTALLING THE SINK DRAIN

- SET DRAIN INSIDE OF SINK BODY, PLACING FOAM GASKET BETWEEN SURFACES.
- FASTEN IN PLACE USING RUBBER GASKET AND DRAIN NUT FROM BOTTOM SIDE.



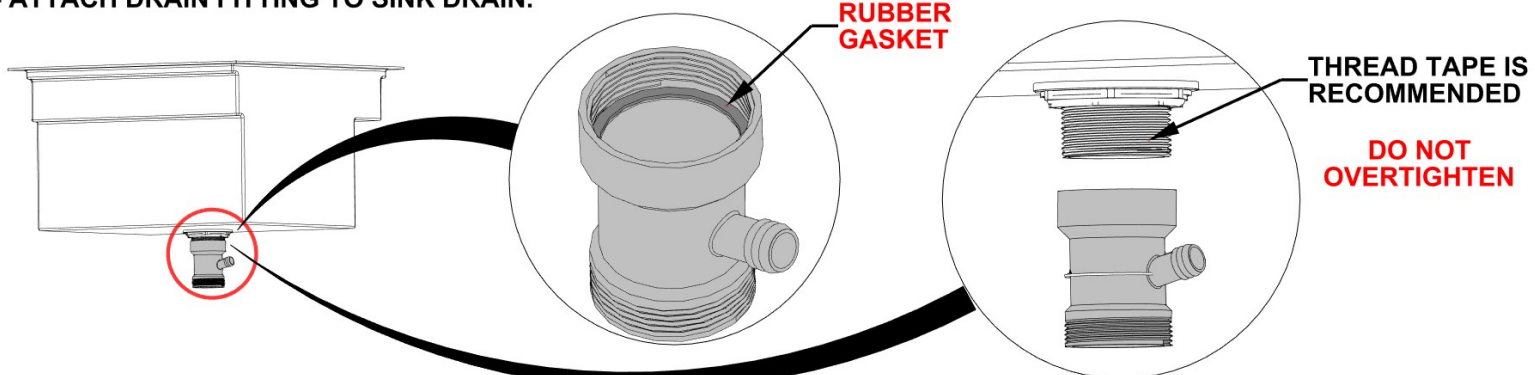
2. INSTALLING THE FAUCET

- INSTALL FAUCET BY PLACING HANDLE AND SPOUT INTO SINK OPENINGS AND SECURING IN PLACE VIA NUT.
- INSERT SCREWS TO LOCK.
- CONNECT WATER FAUCET LINES TOGETHER.

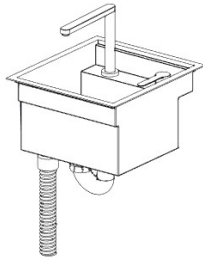


3. INSTALLING THE DRAIN FITTING

- ATTACH DRAIN FITTING TO SINK DRAIN.



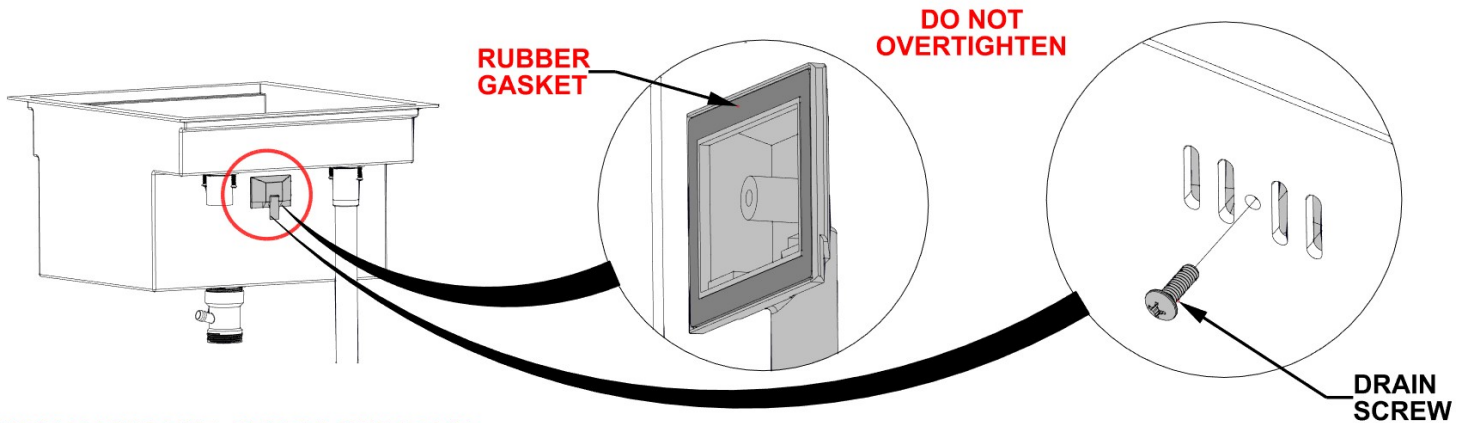
STEP 27B - SINK PRE-ASSEMBLY



A16 SINK ASSEMBLY - A4M03143
(x1) 15 1/8"x15 5/16"x16 7/8" (384x389x429)

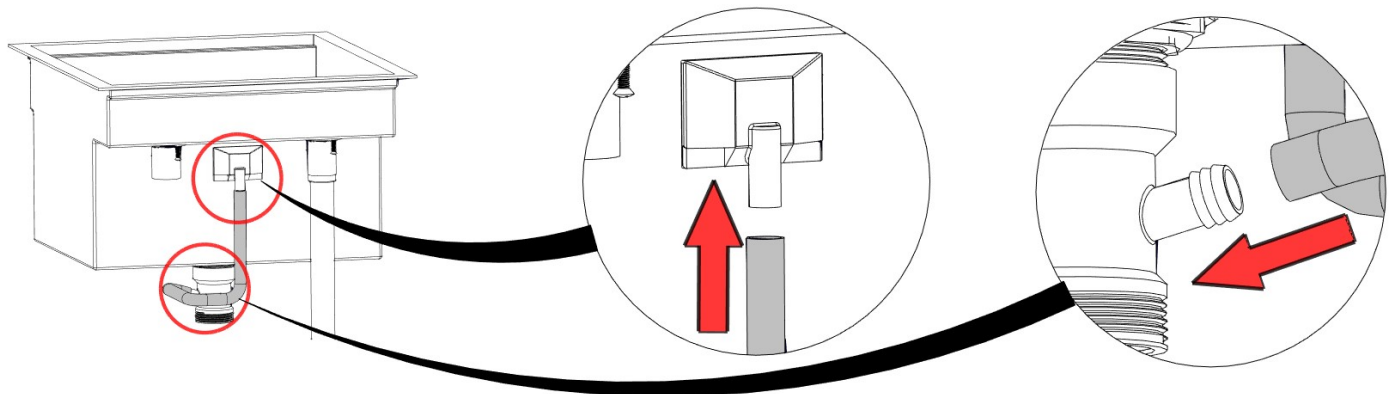
4. INSTALLING THE OVERFLOW DRAIN

- MAKE SURE RUBBER GASKET IS INSTALLED IN OVERFLOW DRAIN.
- INSERT DRAIN SCREW TO HOLD IN PLACE.



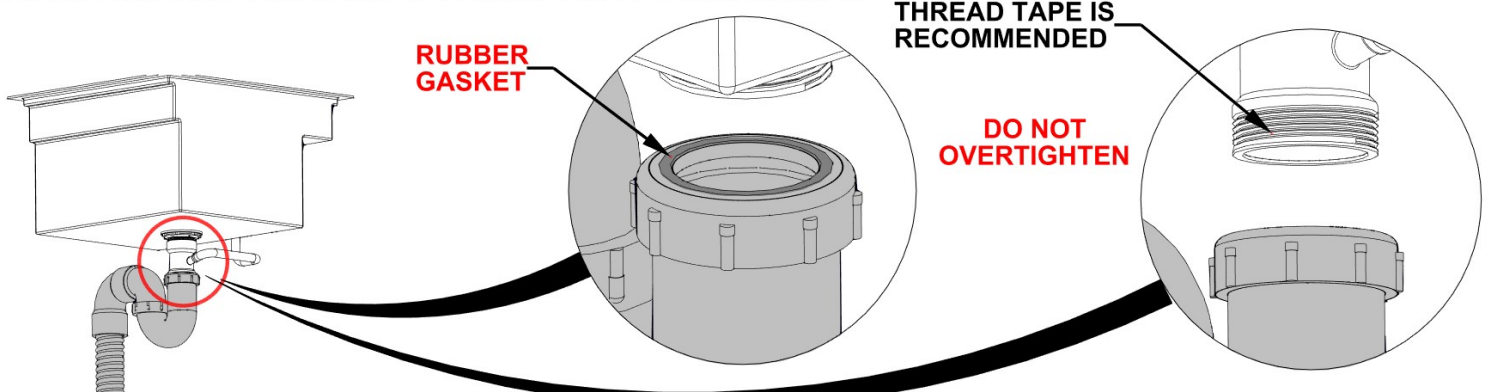
5. INSTALLING THE OVERFLOW DRAIN

- ATTACH OVERFLOW DRAIN BY CONNECTING EACH END AS SHOWN.

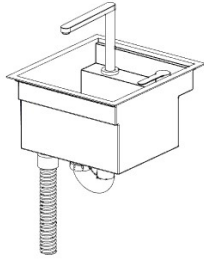


6. INSTALLING THE MAIN DRAIN AND TRAP

- ATTACH TRAP AND CORRUGATED DRAIN HOSE TO DRAIN FITTING.



STEP 27C - SINK INSTALLATION



A16 SINK ASSEMBLY - A4M03143
(x1) 15 1/8"x15 5/16"x16 7/8" (384x389x429)



A4M03151 GARDEN HOSE ADAPTER
(x1)

- DRAIN STRAINER MUST BE USED WHEN DISCARDING FOOD INSIDE OF SINK.
- DO NOT LET SOLID MATERIAL ENTER SINK BASIN.

OPTIONS FOR WATER INLET SUPPLY HOOKUP:

- GARDEN HOSE ATTACHMENT USING PROVIDED ADAPTER
- WATER INLET SUPPLY LINE

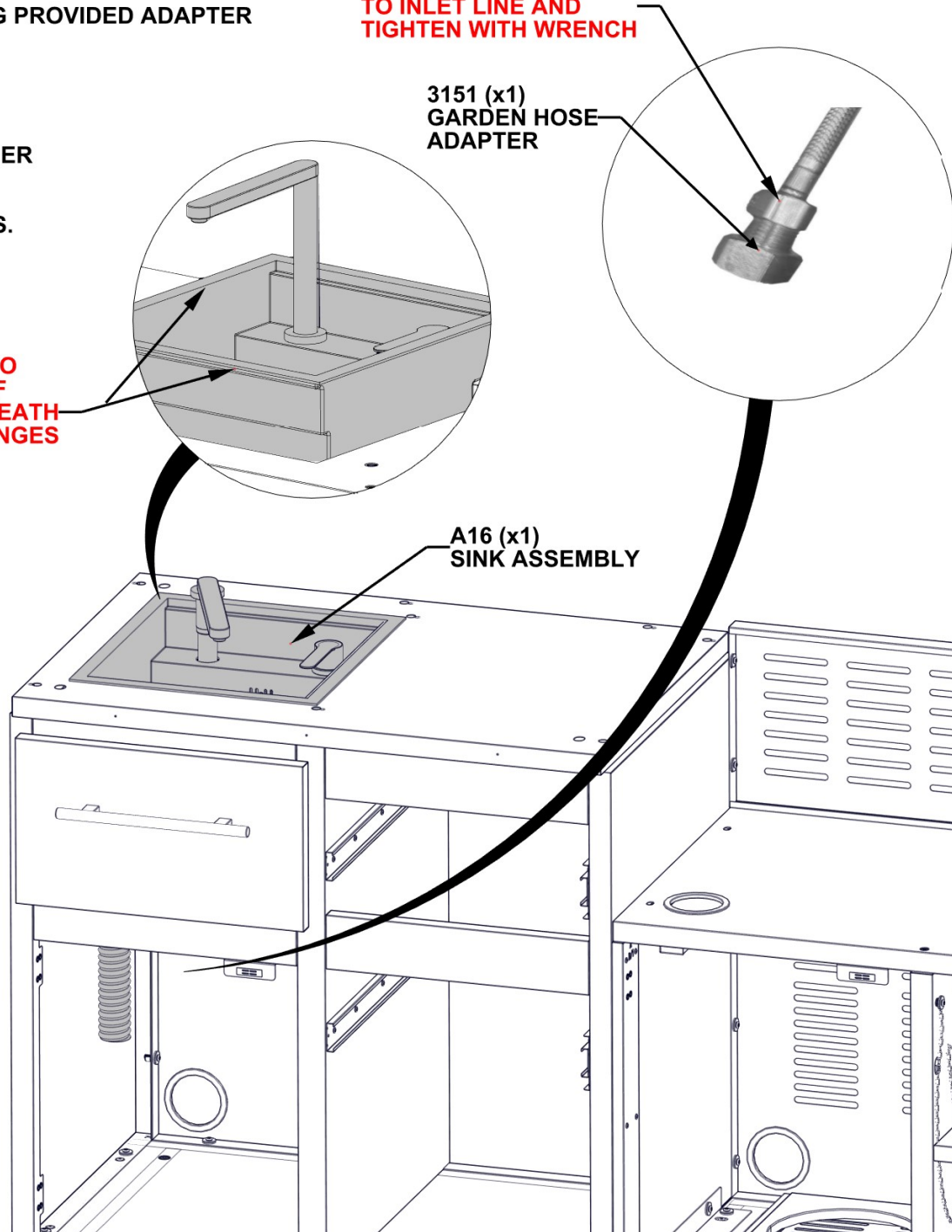
**ATTACH ADAPTER
TO INLET LINE AND
TIGHTEN WITH WRENCH**

OPTIONS FOR DRAIN DISCHARGE:

- BUCKET OR GREY WATER CONTAINER
- FRENCH DRAIN OR DRY BASIN
- INTEGRATED SEWER SYSTEM
- CHECK YOUR LOCAL REQUIREMENTS.

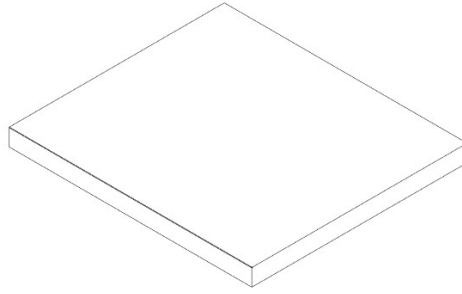
3151 (x1)
GARDEN HOSE
ADAPTER

**IT IS RECOMMENDED TO
APPLY A FINE BEAD OF
SILICONE, TO UNDERNEATH
SIDE OF ALL SINK FLANGES
BEFORE INSTALLING**



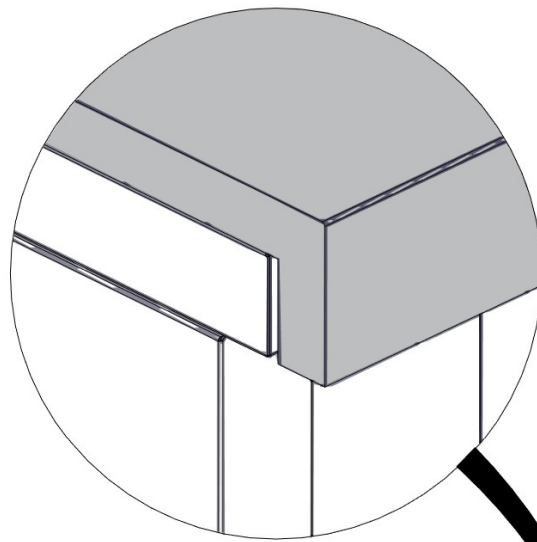
A16 (x1)
SINK ASSEMBLY

STEP 28A - FRIDGE CABINET MARBLE INSTALLATION

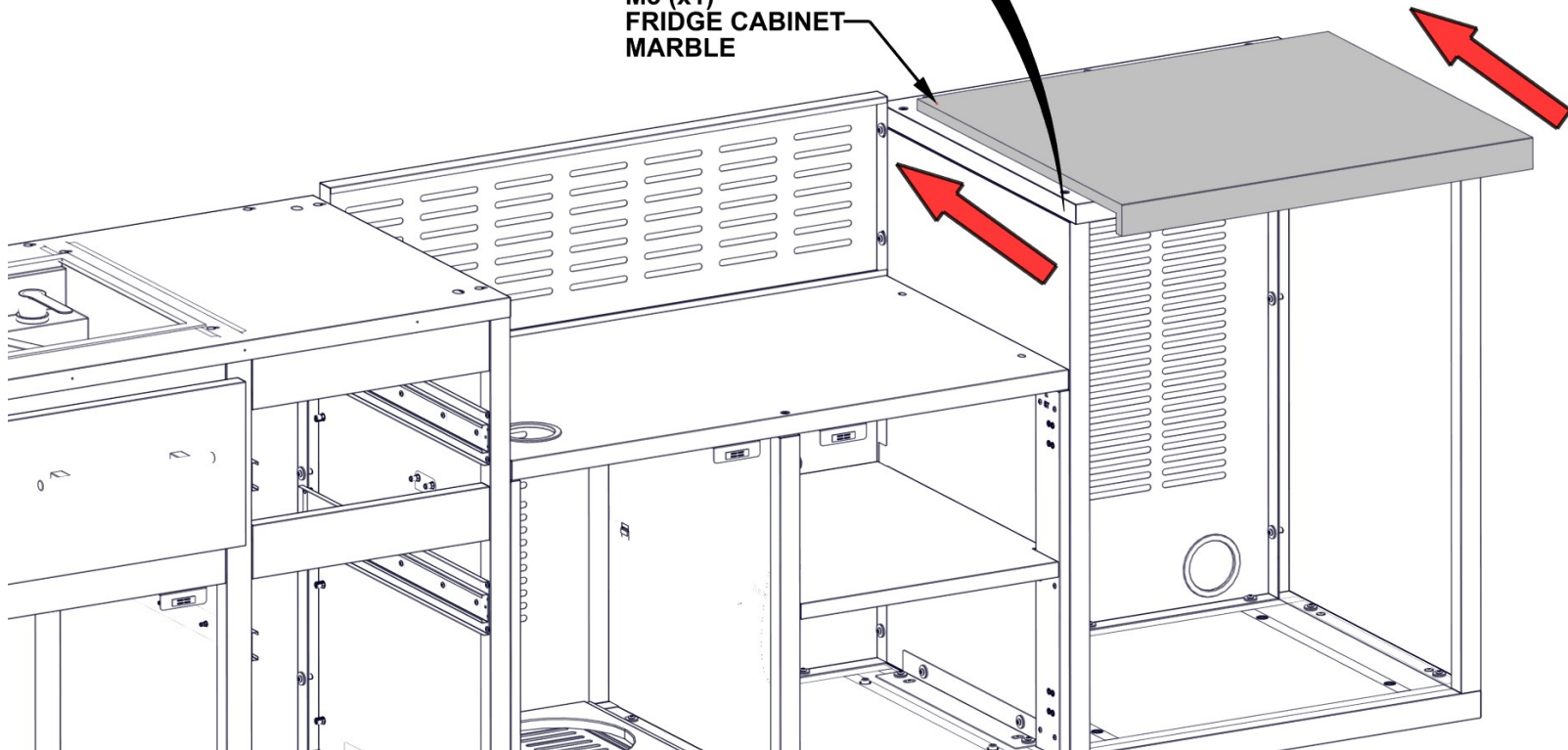


M3 FRIDGE CABINET MARBLE - A4M03602
(x1) 28 1/8"x24 15/16"x1 15/16" (50x634x715)

- IT IS RECOMMENDED TO HAVE AT LEAST TWO PEOPLE SET MARBLE COUNTERTOP IN PLACE.
- SLIDE IN PLACE UNTIL MARBLE IS TIGHT AGAINST CABINET AND SIDES ARE FLUSH WITH PANEL.
- **WHEN SETTING MARBLE IN PLACE, MAKE SURE YOUR FINGERS ARE CLEAR AND NOT UNDERNEATH MARBLE.**



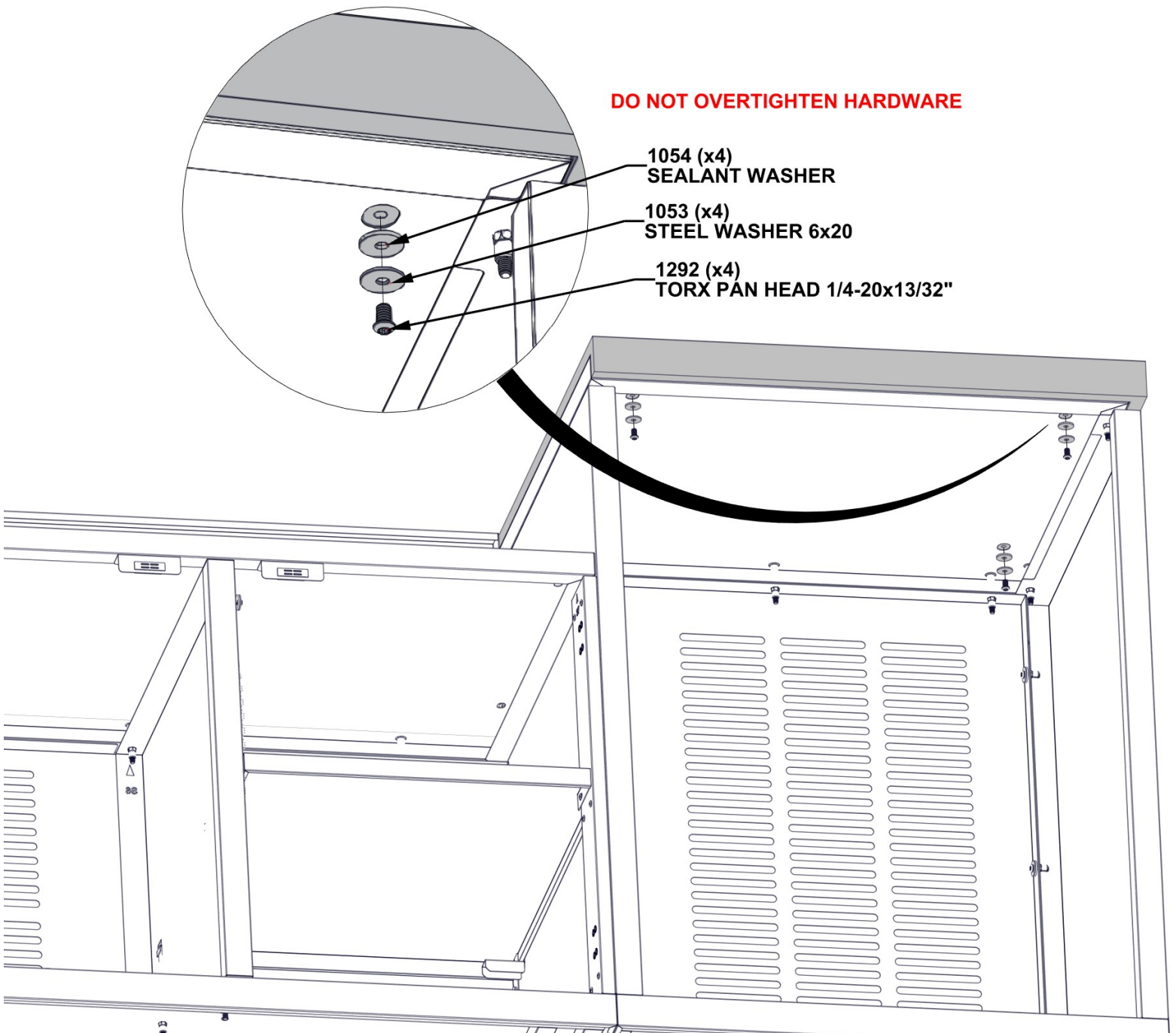
M3 (x1)
FRIDGE CABINET
MARBLE



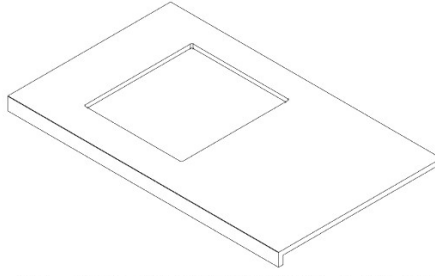
STEP 28B - FRIDGE CABINET MARBLE INSTALLATION

Qty	PartNo	Description
4	H101292	TORX PAN HEAD 1/4-20x13/32"
4	H101053	STEEL WASHER 6x20
4	H101054	SEALANT WASHER

- MAKE SURE YOU ARE USING THE CORRECT HARDWARE FOR THIS STEP.
- ONCE MARBLE IS IN PLACE, IT IS RECOMMENDED TO COVER WITH A PIECE OF CARDBOARD OR FOAM UNTIL ASSEMBLY IS FINISHED TO PREVENT DAMAGE.
- DO NOT USE MARBLE SURFACE AS A WORK BENCH.

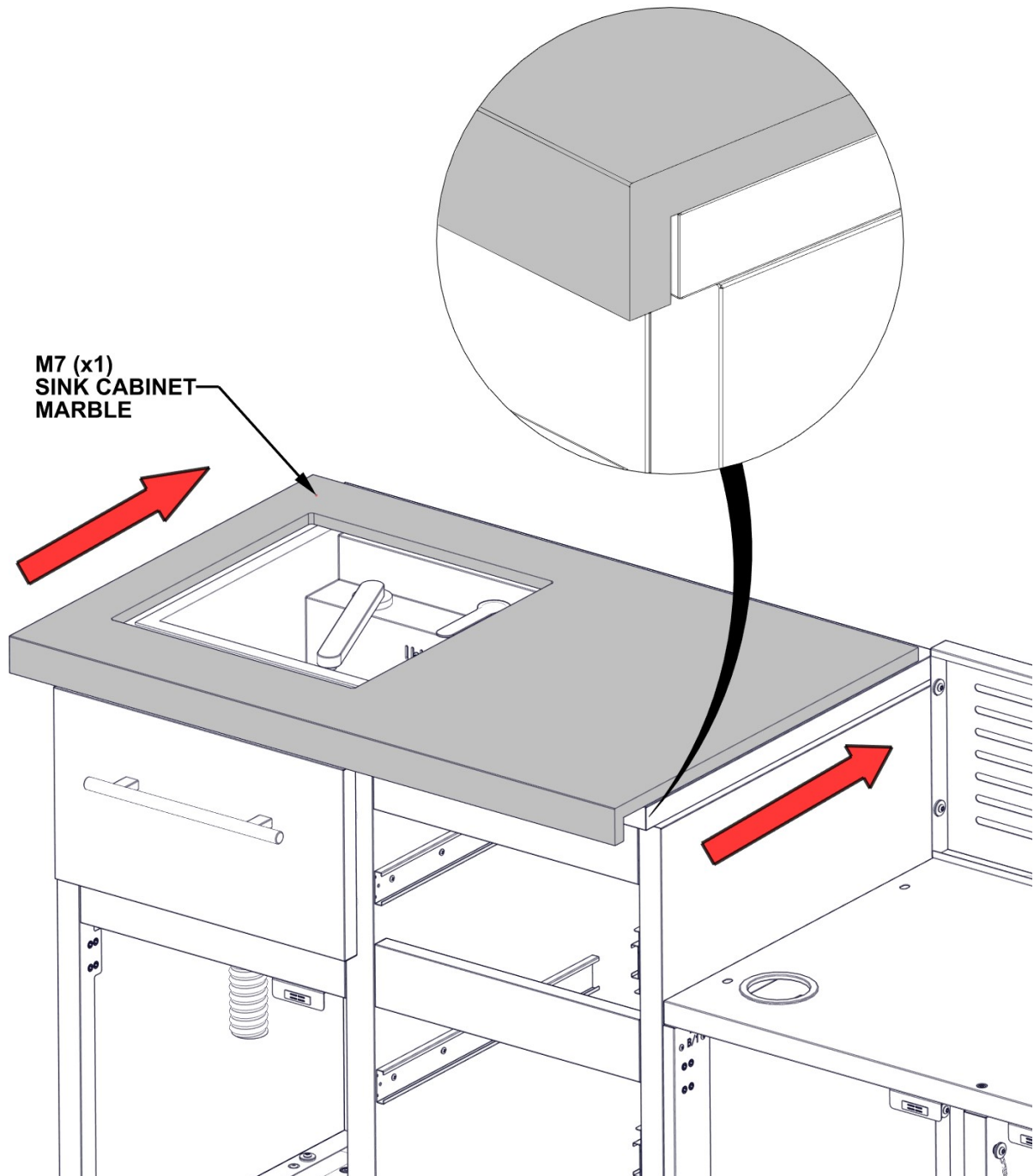


STEP 29A - SINK CABINET MARBLE INSTALLATION



M7 SINK CABINET MARBLE - A4M04539
(x1) 37 3/16" x 24 15/16" x 1 15/16" (50x634x944)

- IT IS RECOMMENDED TO HAVE AT LEAST TWO PEOPLE SET MARBLE COUNTERTOP IN PLACE.
- SLIDE IN PLACE UNTIL MARBLE IS TIGHT AGAINST CABINET AND SIDES ARE FLUSH WITH PANEL.
- **WHEN SETTING MARBLE IN PLACE, MAKE SURE YOUR FINGERS ARE CLEAR AND NOT UNDERNEATH MARBLE.**

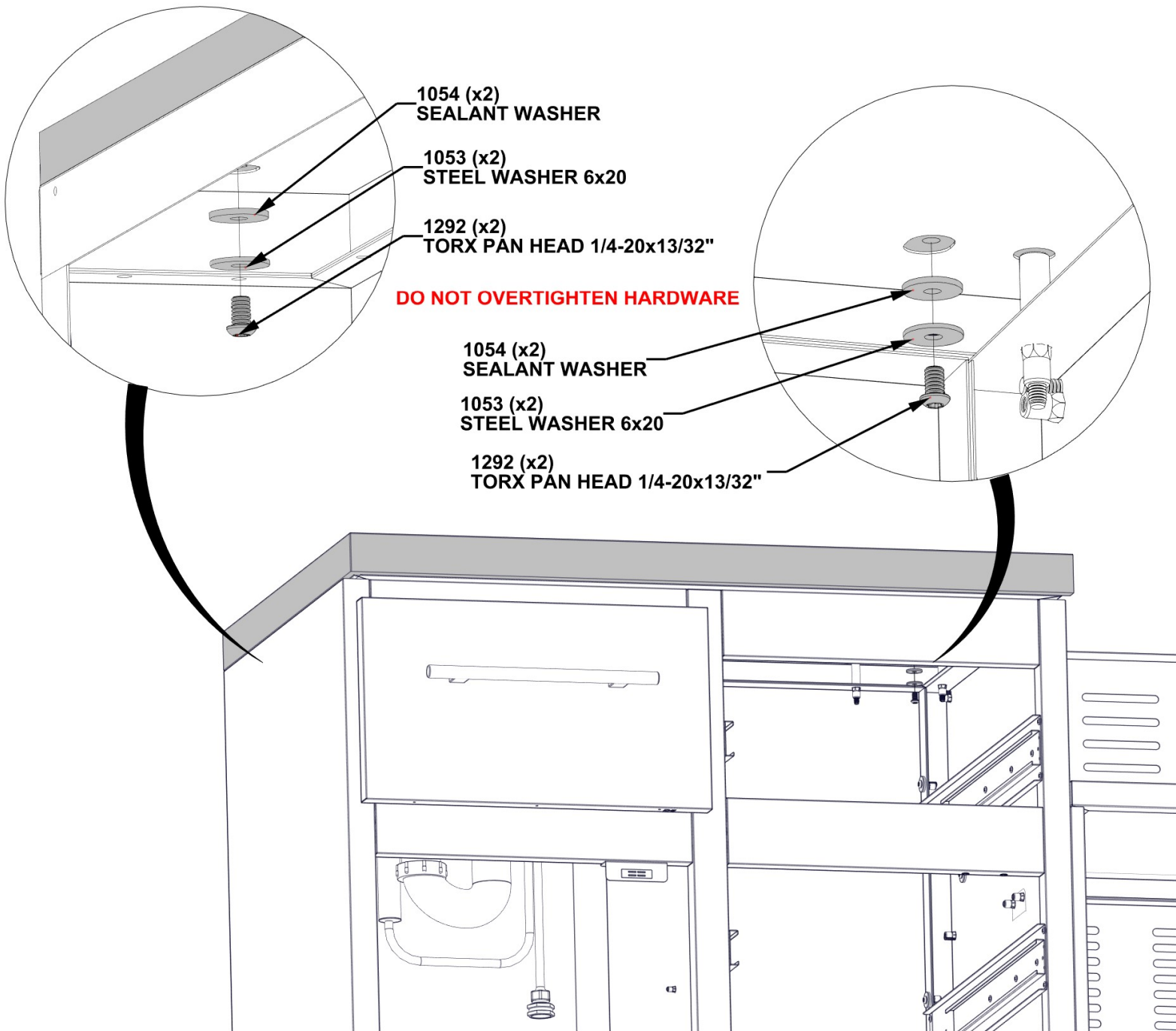


STEP 29B - SINK CABINET MARBLE INSTALLATION

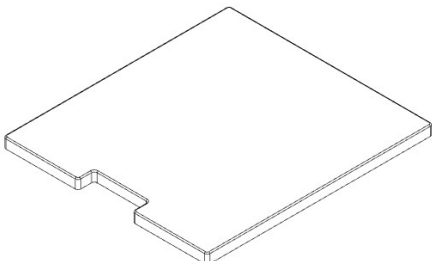
Qty	PartNo	Description
4	H101292	TORX PAN HEAD 1/4-20x13/32"
4	H101053	STEEL WASHER 6x20
4	H101054	SEALANT WASHER

- IT IS RECOMMENDED TO USE 6" BIT EXTENDER FOR THIS STEP.

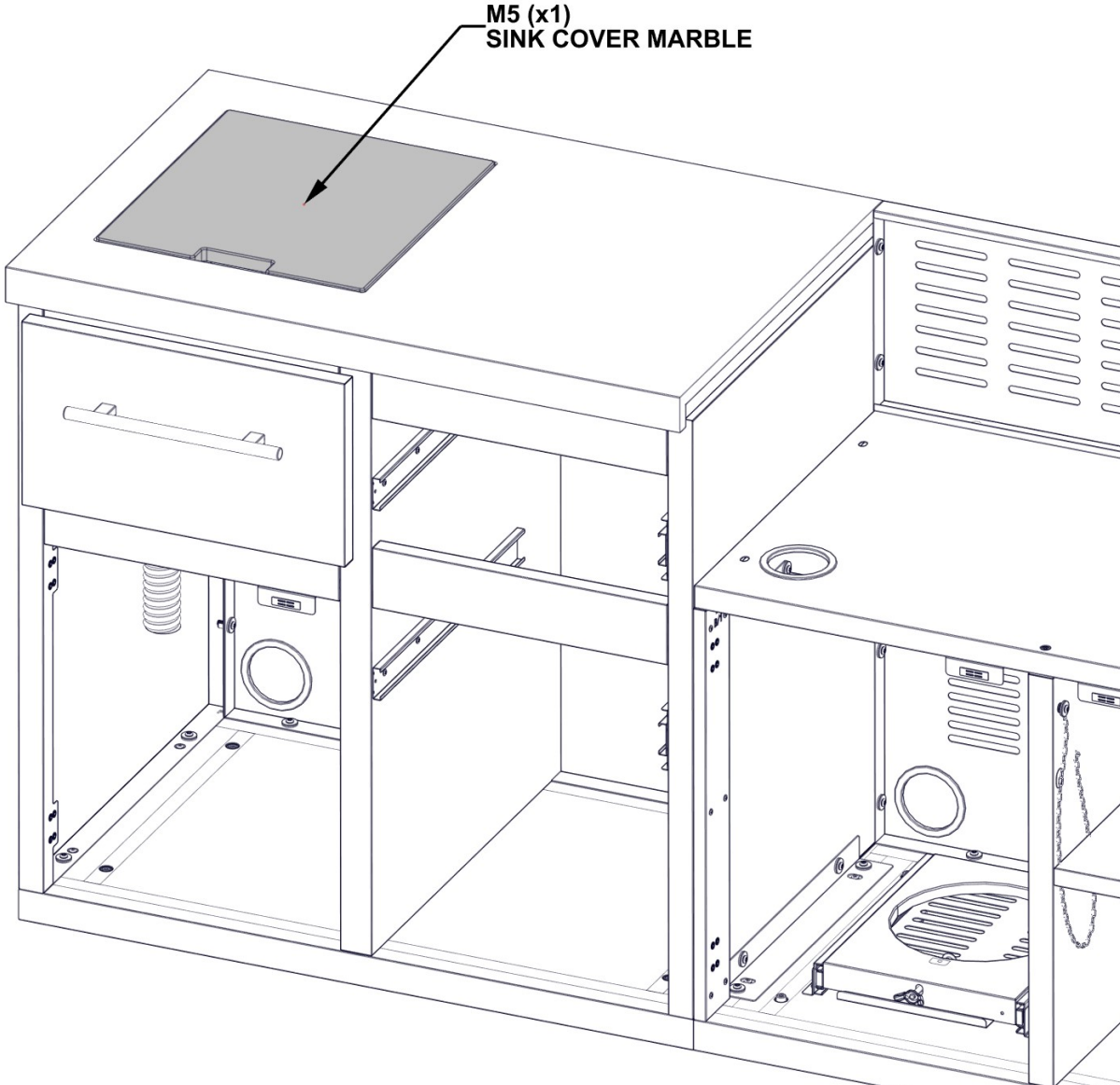
- MAKE SURE YOU ARE USING THE CORRECT HARDWARE FOR THIS STEP.
- ONCE MARBLE IS IN PLACE, IT IS RECOMMENDED TO COVER WITH A PIECE OF CARDBOARD OR FOAM UNTIL ASSEMBLY IS FINISHED TO PREVENT DAMAGE.
- DO NOT USE MARBLE SURFACE AS A WORK BENCH.



STEP 30 - SINK CABINET MARBLE INSTALLATION

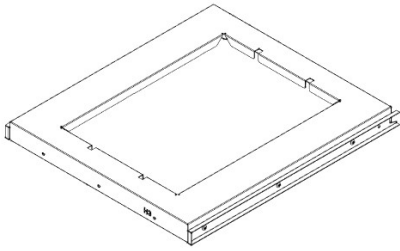


M5 SINK COVER MARBLE - A4M03147
(x1) 11/16"x14 3/4"x16 5/16" (18x375x415)



STEP 31A - KITCHEN TRASH CAN ASSEMBLY

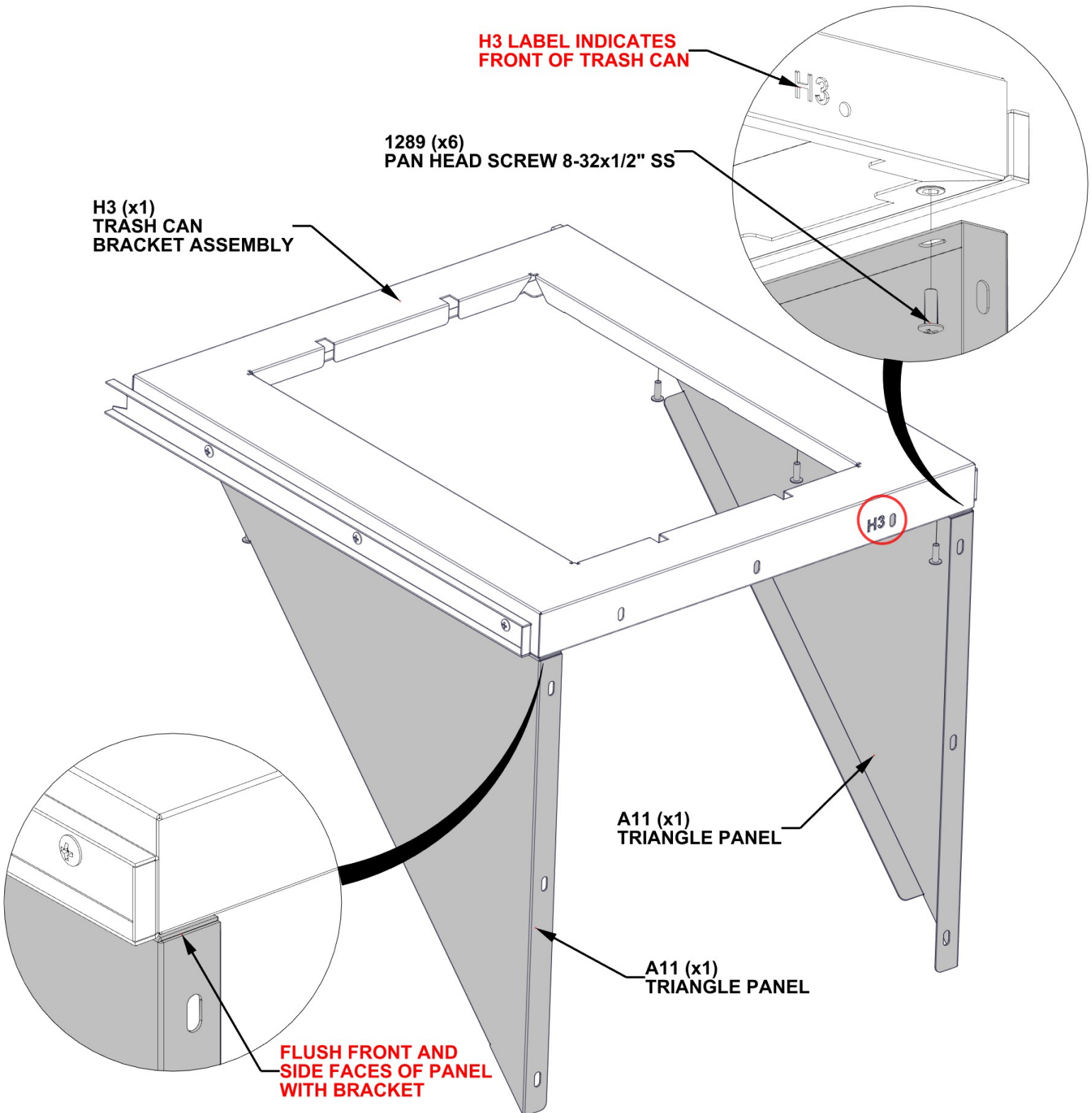
Qty	PartNo	Description
6	H101289	PAN HEAD SCREW 8-32x1/2" SS



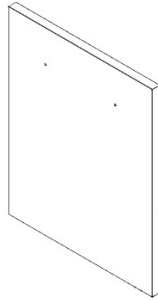
H3 TRASH CAN BRACKET ASSEMBLY - A4M03610
 (x1) 18 1/16"x15 13/16"x (35x401.60x458)



A11 TRIANGLE PANEL - A4M03086
 (x2) 13/16"x13 3/4"x13 3/4" (20x350x350)

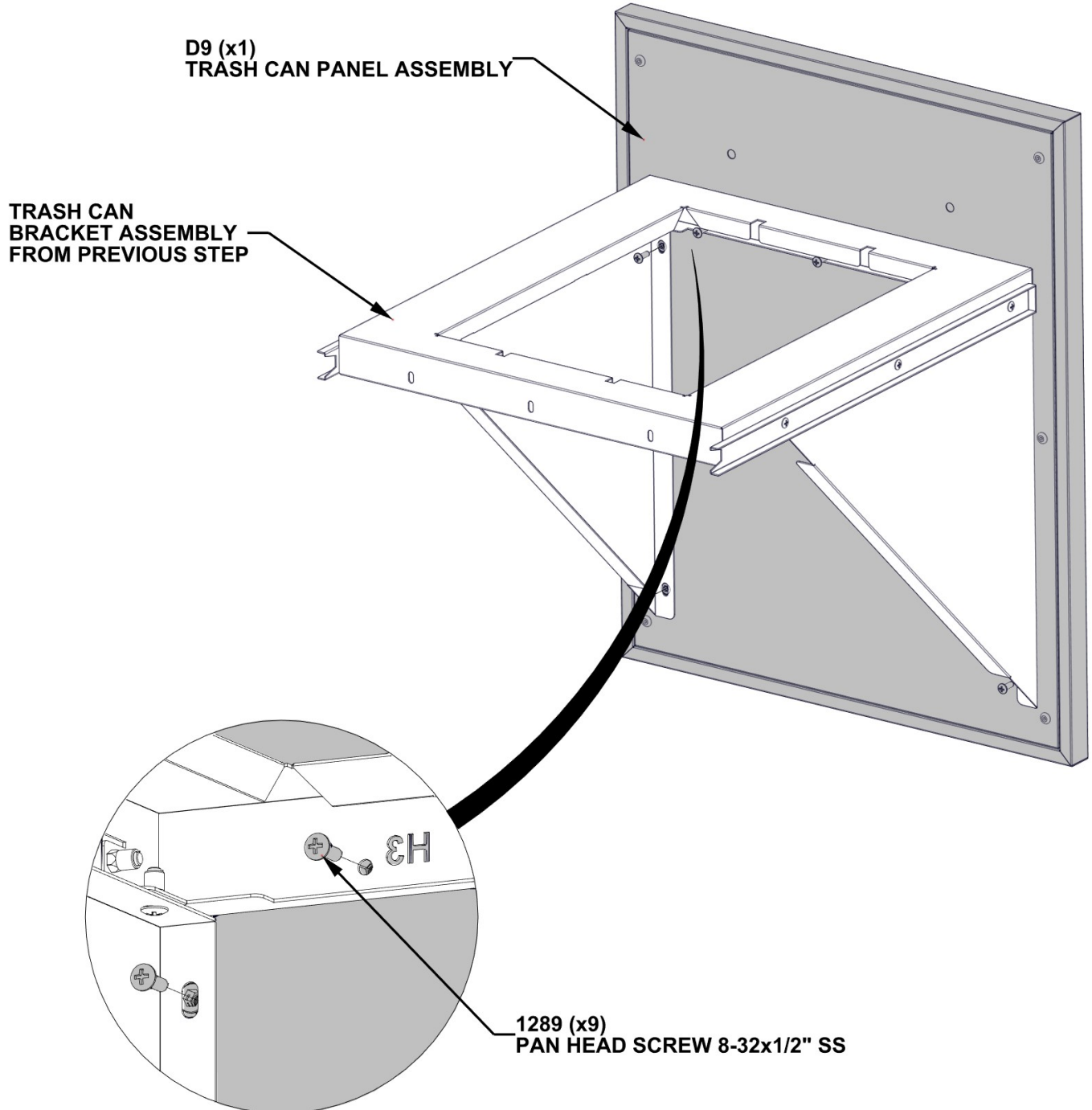


STEP 31B - KITCHEN TRASH CAN ASSEMBLY

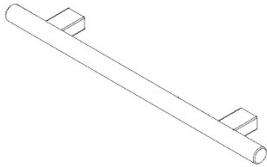


Qty	PartNo	Description
9	H101289	PAN HEAD SCREW 8-32x1/2" SS

D9 TRASH CAN PANEL ASSEMBLY - A4M03608
 (x1) 22 1/4"x17 3/4"x15/16" (24.00x451.00x565.00)

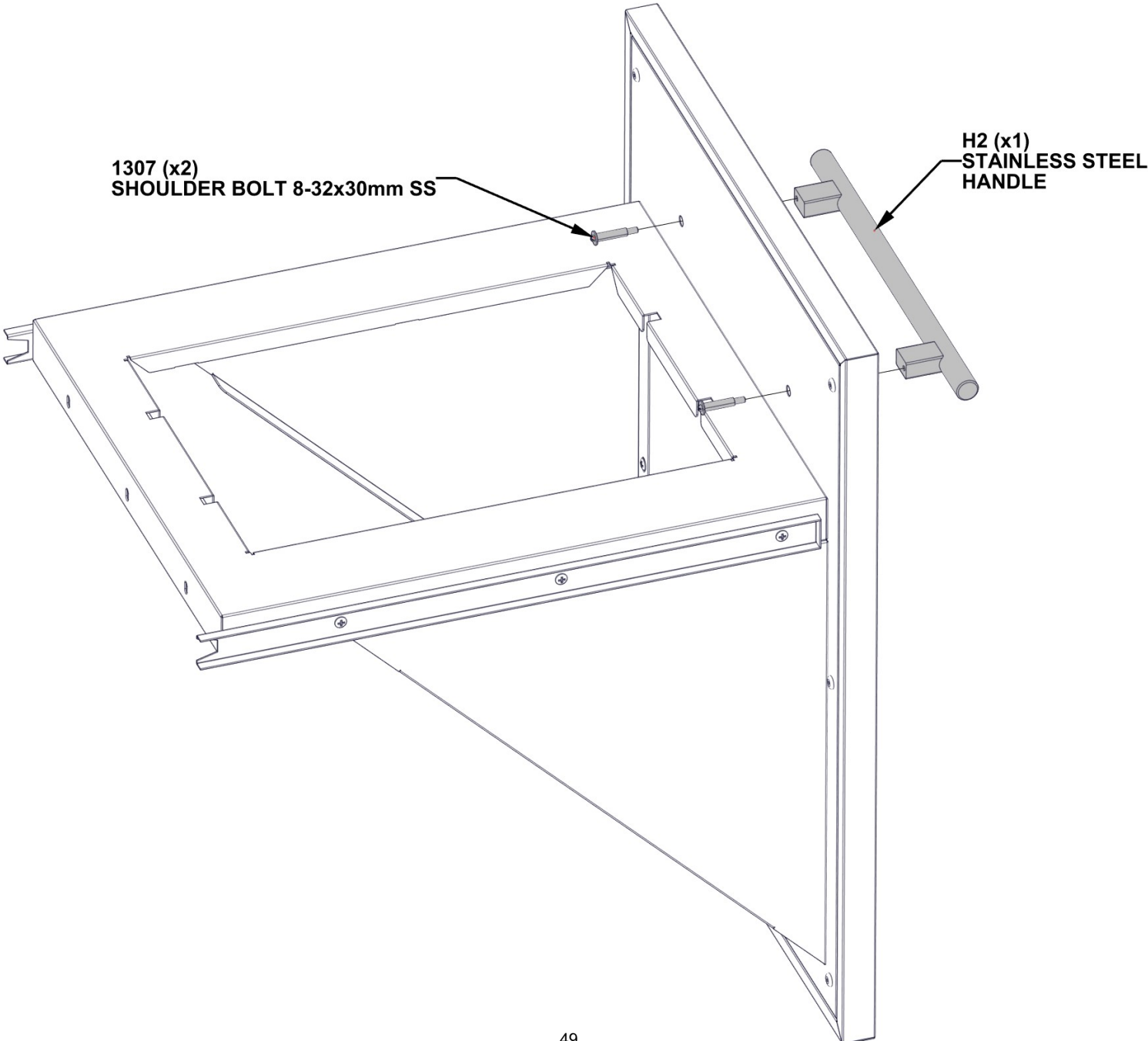


STEP 31C - KITCHEN TRASH CAN ASSEMBLY

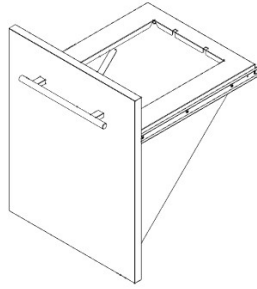


Qty	PartNo	Description
2	H101307	SHOULDER BOLT 8-32x30mm SS

H2 STAINLESS STEEL HANDLE - A4M03024
 (x1) 5/8"x1 9/16"x11 13/16" (16x40x300)

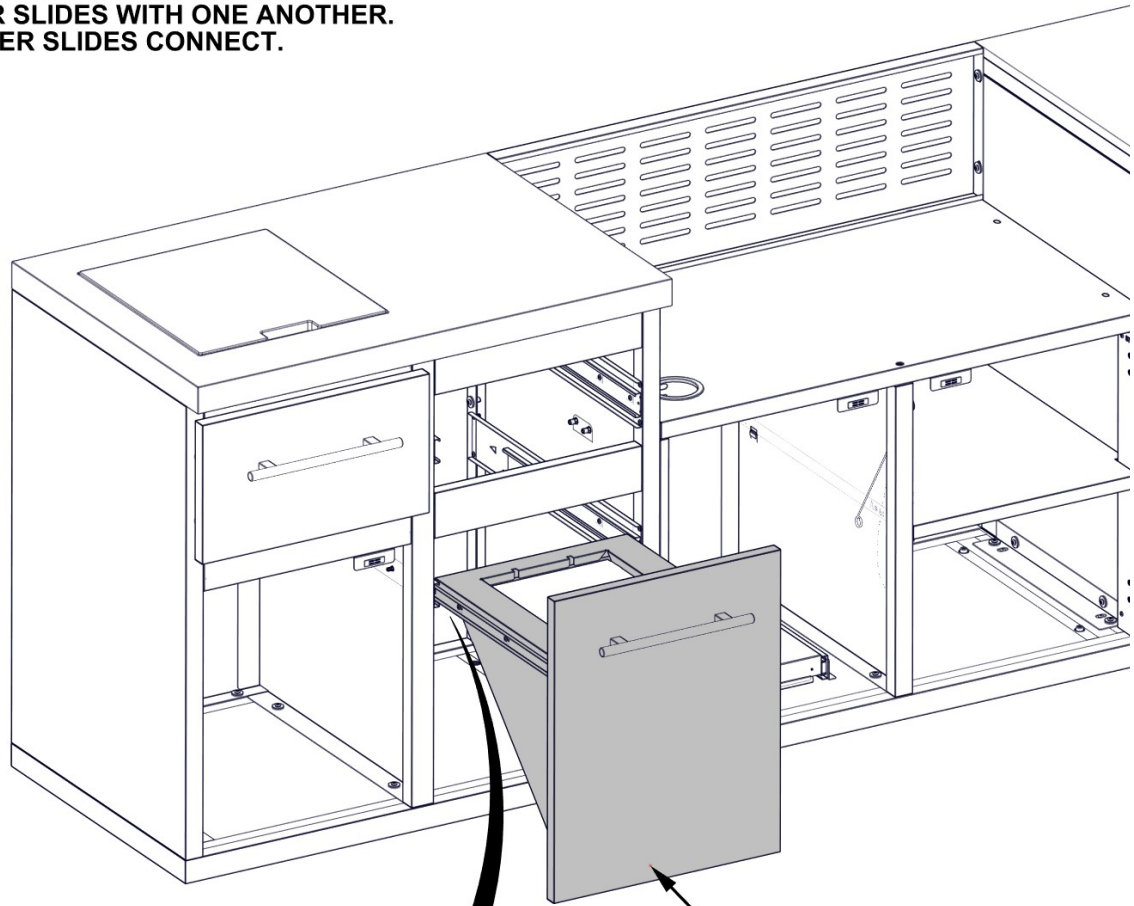


STEP 32 - KITCHEN TRASH CAN INSTALLATION

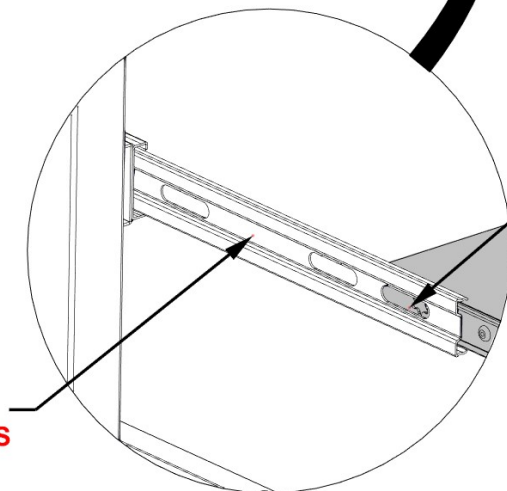


TRASH CAN ASSEMBLY
FROM STEP 31

- ATTACH TRASH CAN ASSEMBLY BY ALIGNING BOTH ENDS OF FACTORY ASSEMBLED DRAWER SLIDES WITH ONE ANOTHER.
- PRESS TOGETHER UNTIL DRAWER SLIDES CONNECT.



TRASH CAN
ASSEMBLY

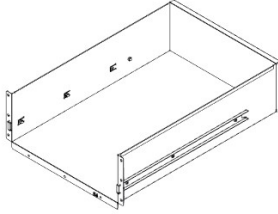


SLIDE INNER RACE
OF DRAWER SLIDE OUT
BEFORE ATTACHING SLIDES

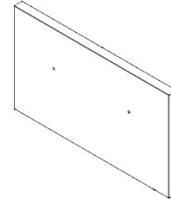
ALIGN DRAWER SLIDES
ON BOTH SIDES OF TRASH
CAN HOLDER

STEP 33A - KITCHEN DRAWER ASSEMBLY

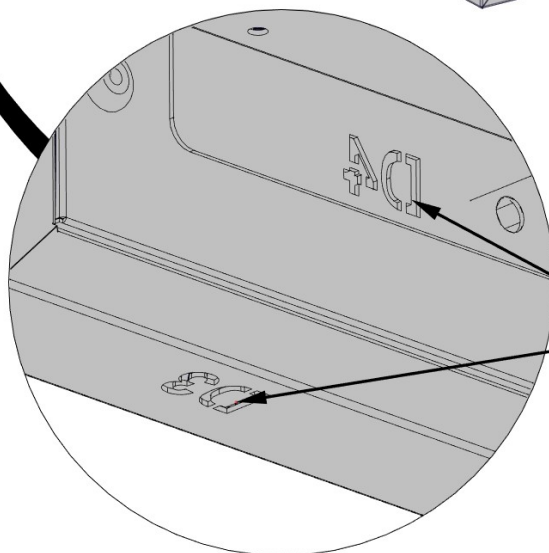
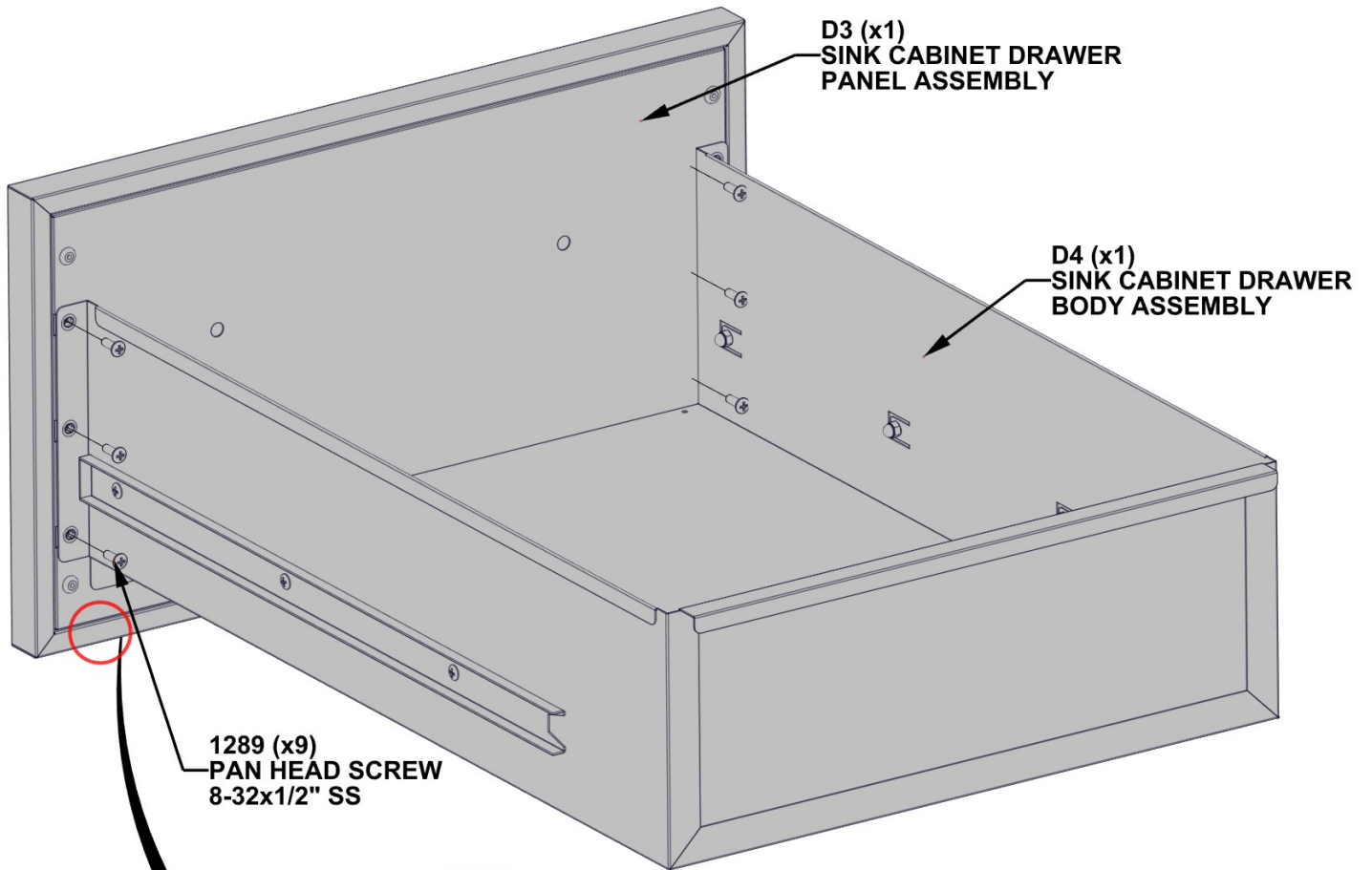
Qty	PartNo	Description
9	H101289	PAN HEAD SCREW 8-32x1/2" SS



D4 SINK CABINET DRAWER BODY ASSEMBLY - A4M03571
 (x1) 22 1/4"x16 1/16"x6 7/16" (164.2x408.4x565.4)

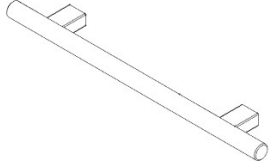


D3 SINK CABINET DRAWER PANEL ASSEMBLY - A4M03569
 (x1) 17 3/4"x10 1/4"x15/16" (24x260x451)



D3 AND D4 LABELS INDICATE
BOTTOM OF DRAWER

STEP 33B - KITCHEN DRAWER ASSEMBLY

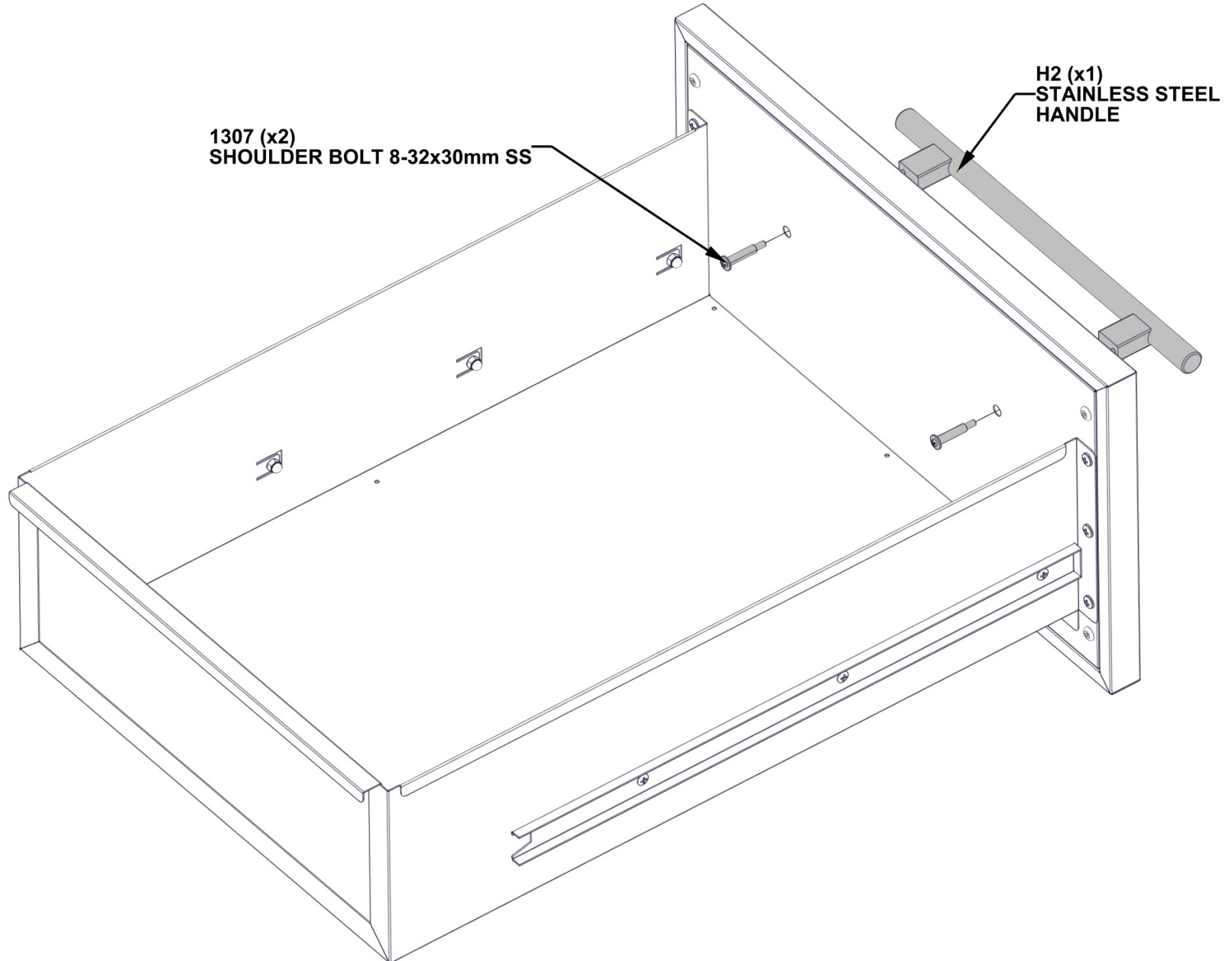


Qty	PartNo	Description
2	H101307	SHOULDER BOLT 8-32x30mm SS

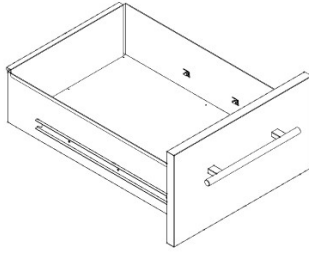
H2 STAINLESS STEEL HANDLE - A4M03024
(x1) 5/8"x1 9/16"x11 13/16" (16x40x300)

1307 (x2)
SHOULDER BOLT 8-32x30mm SS

H2 (x1)
STAINLESS STEEL
HANDLE

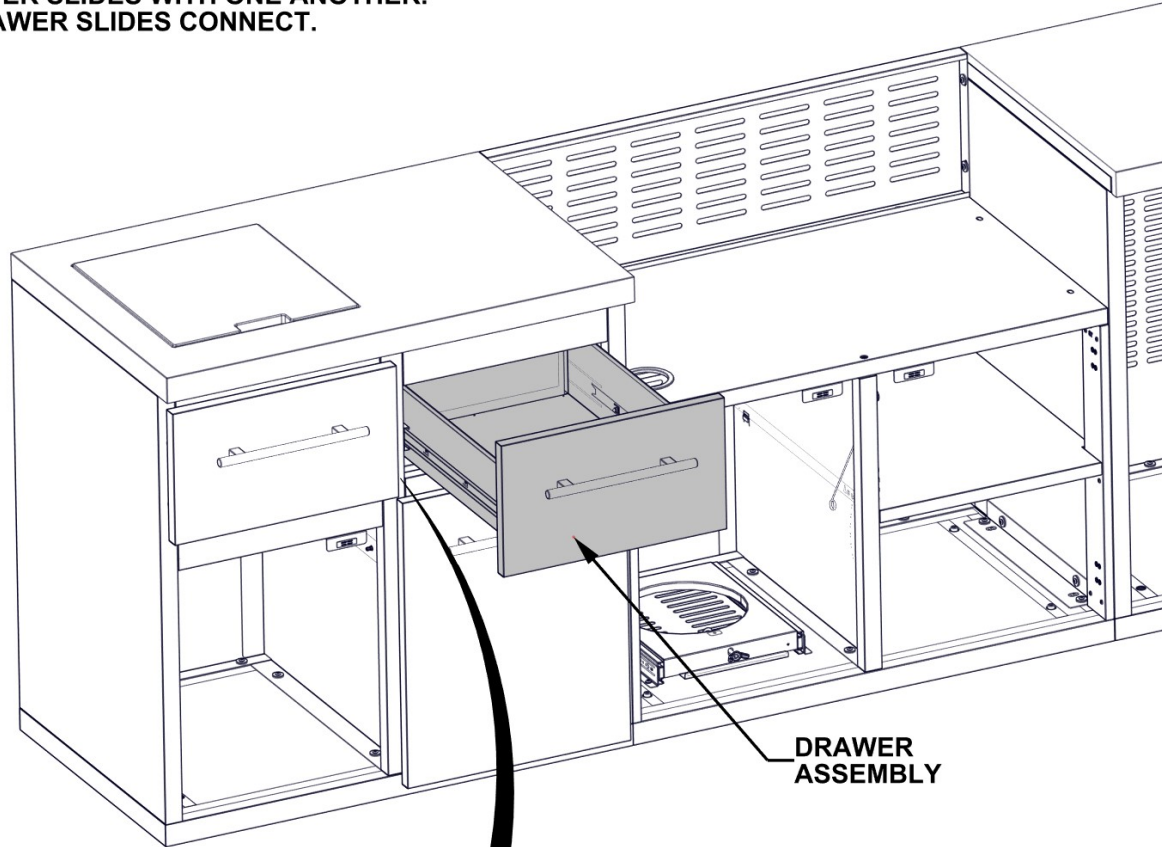


STEP 34 - KITCHEN DRAWER INSTALLATION

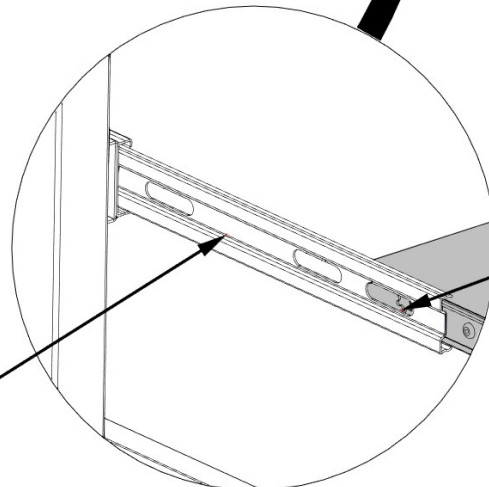


**DRAWER ASSEMBLY
FROM STEP 33**

- ATTACH DRAWER ASSEMBLY BY ALIGNING BOTH ENDS OF FACTORY ASSEMBLED DRAWER SLIDES WITH ONE ANOTHER.
- PRESS TOGETHER UNTIL DRAWER SLIDES CONNECT.



**DRAWER
ASSEMBLY**

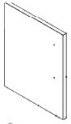


**SLIDE INNER RACE
OF DRAWER SLIDE OUT
BEFORE ATTACHING SLIDES**

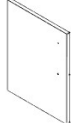
**ALIGN DRAWER SLIDES
ON BOTH SIDES OF TRASH
CAN HOLDER**

STEP 35A - DOOR ASSEMBLY

Qty	PartNo	Description
12	H101185	PHILLIPS FLAT HEAD 8-32x.5 SCREW



D6 SINK CABINET DOOR ASSEMBLY L - A4M03577
 (x1) 22 1/4"x17 13/16"x15/16" (24x452x565)



D7 GRILL CABINET DOOR ASSEMBLY L - A4M03587
 (x1) 24 13/16"x19 1/16"x15/16" (24x484.15x630)



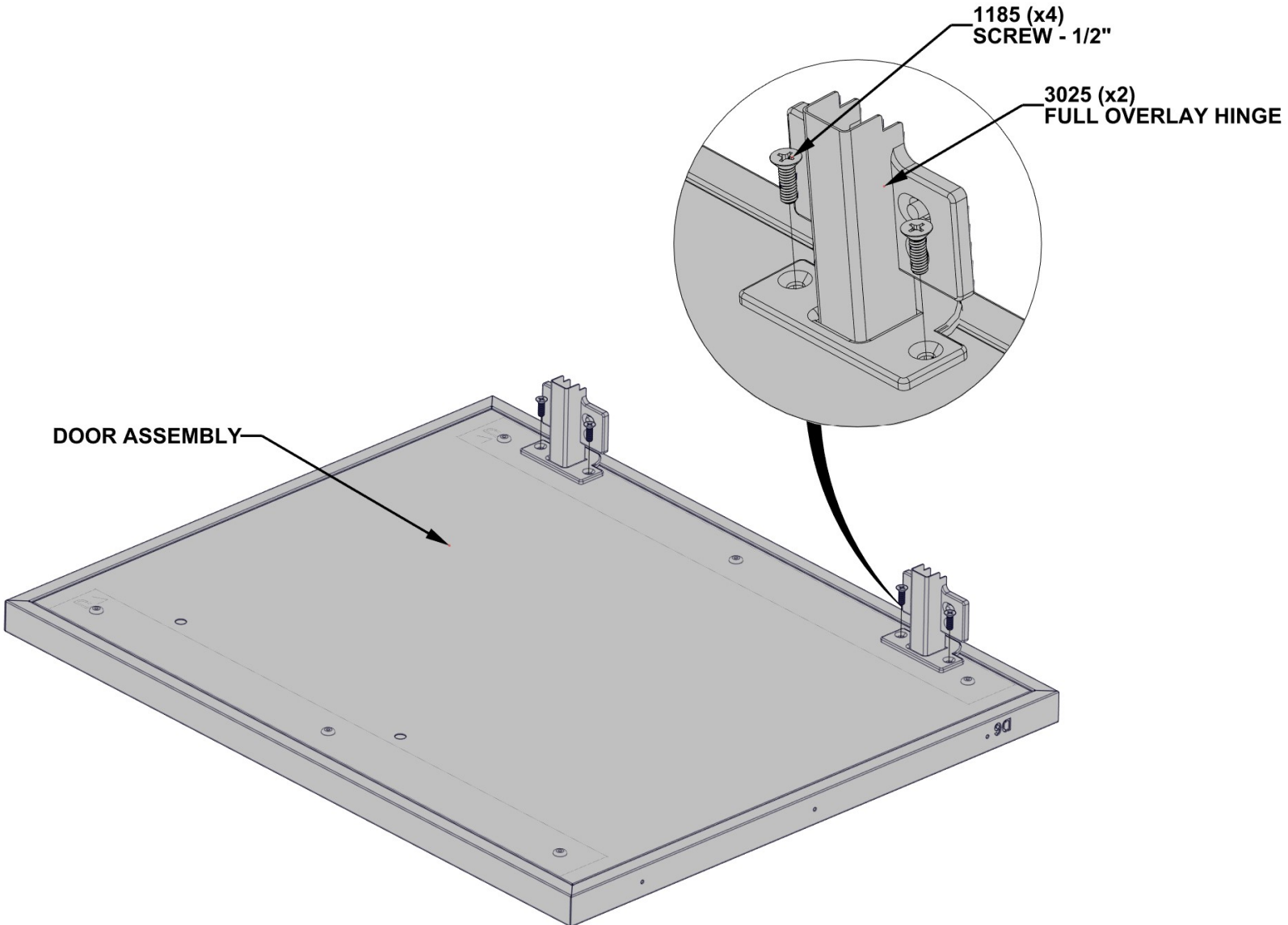
D8 GRILL CABINET DOOR ASSEMBLY R - A4M03590
 (x1) 24 13/16"x19 1/16"x15/16" (24x484.15x630)



A4M03025 FULL OVERLAY HINGE
 (x6)

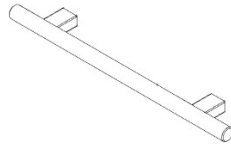
- INSTALL CABINET HINGES TO THE THREE DOORS.

DO NOT OVERTIGHTEN HARDWARE



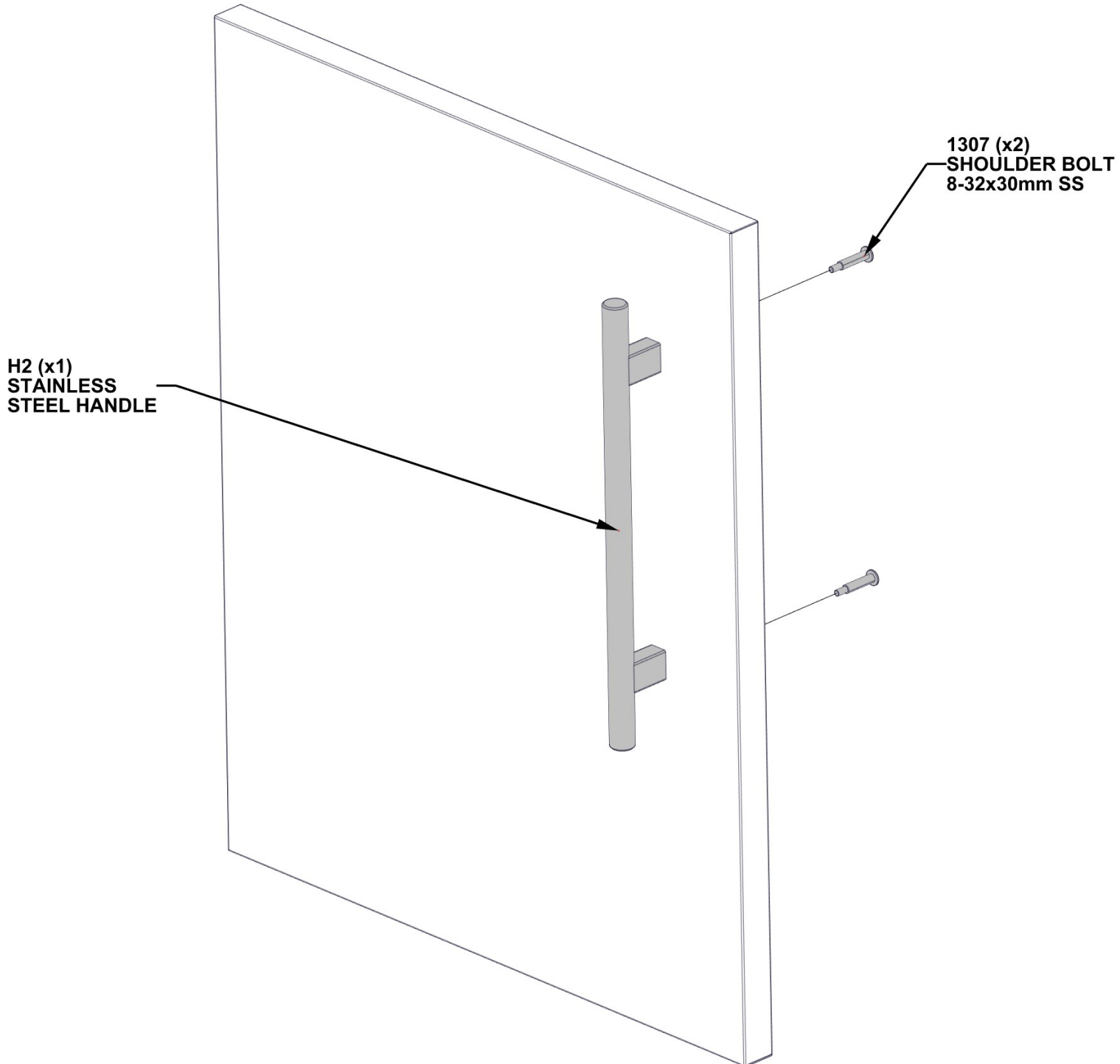
STEP 35B - DOOR ASSEMBLY

Qty	PartNo	Description
6	H101307	SHOULDER BOLT 8-32x30mm SS

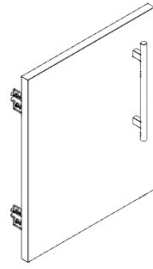


H2 STAINLESS STEEL HANDLE - A4M03024
(x3) 5/8"x1 9/16"x11 13/16" (16x40x300)

- INSTALL CABINET HANDLES ON THE THREE DOORS FROM PREVIOUS STEP.



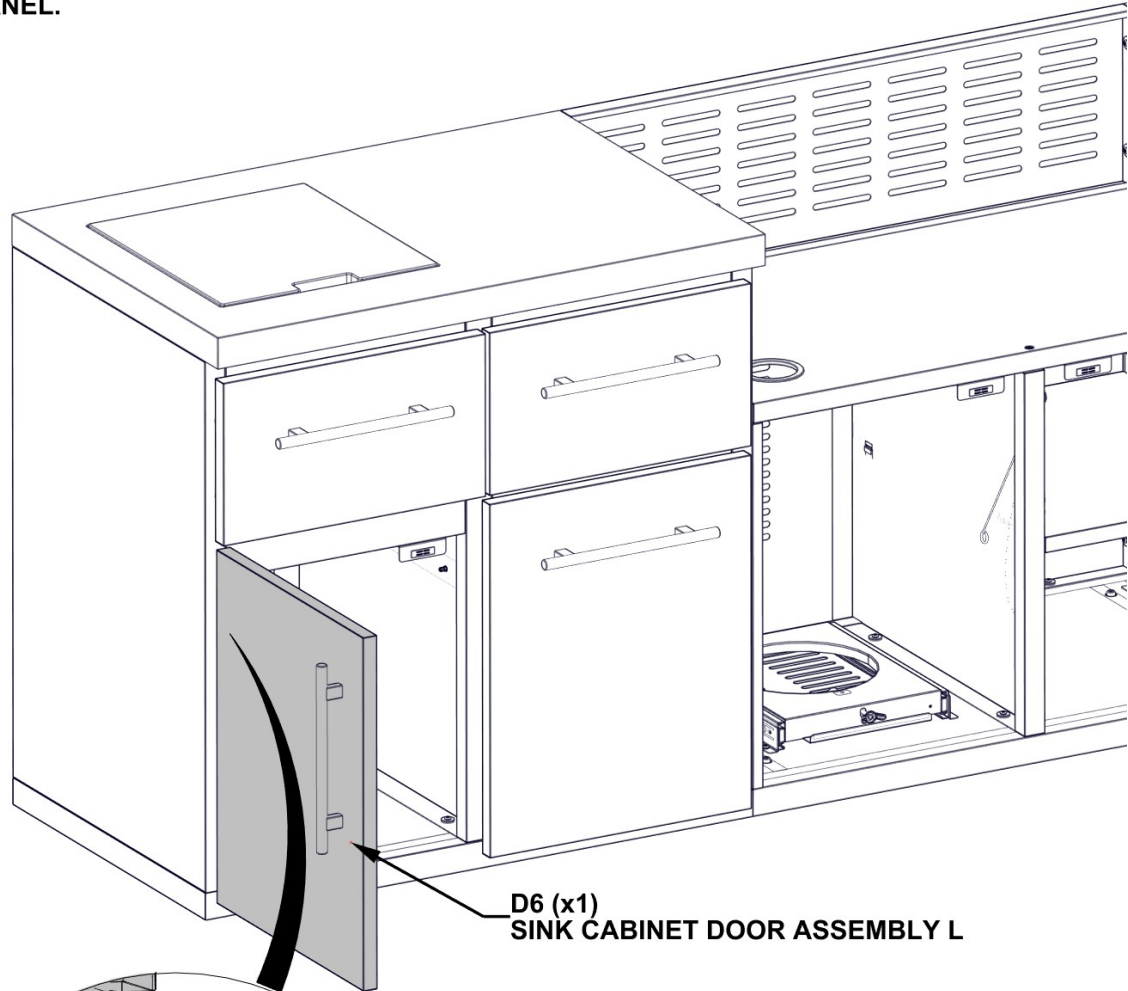
STEP 36 - CABINET DOOR ATTACHMENT



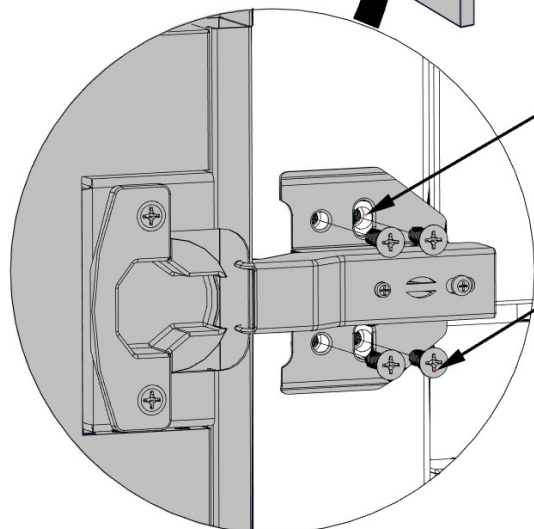
Qty	PartNo	Description
8	H101185	PHILLIPS FLAT HEAD 8-32x.5 SCREW

D6 SINK CABINET DOOR ASSEMBLY L - A4M03577
(x1) 22 1/4"x17 13/16"x15/16" (24x452x565)

- FOR THIS STEP IT IS HELPFUL TO HAVE AN ADDITIONAL PERSON HELP HOLD DOOR IN PLACE.
- WITH CABINET HINGES ATTACHED TO DOOR, ALIGN HOLES IN HINGE BRACKET WITH THREADED INSERTS IN SIDE OF CABINET PANEL.



D6 (x1)
SINK CABINET DOOR ASSEMBLY L

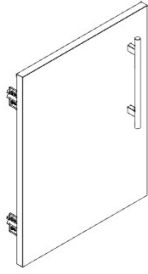


**ALIGN HINGE BRACKET WITH
THREADED INSERTS IN PANEL**

DO NOT OVERTIGHTEN HARDWARE

1185 (x8)
SCREW - 1/2"

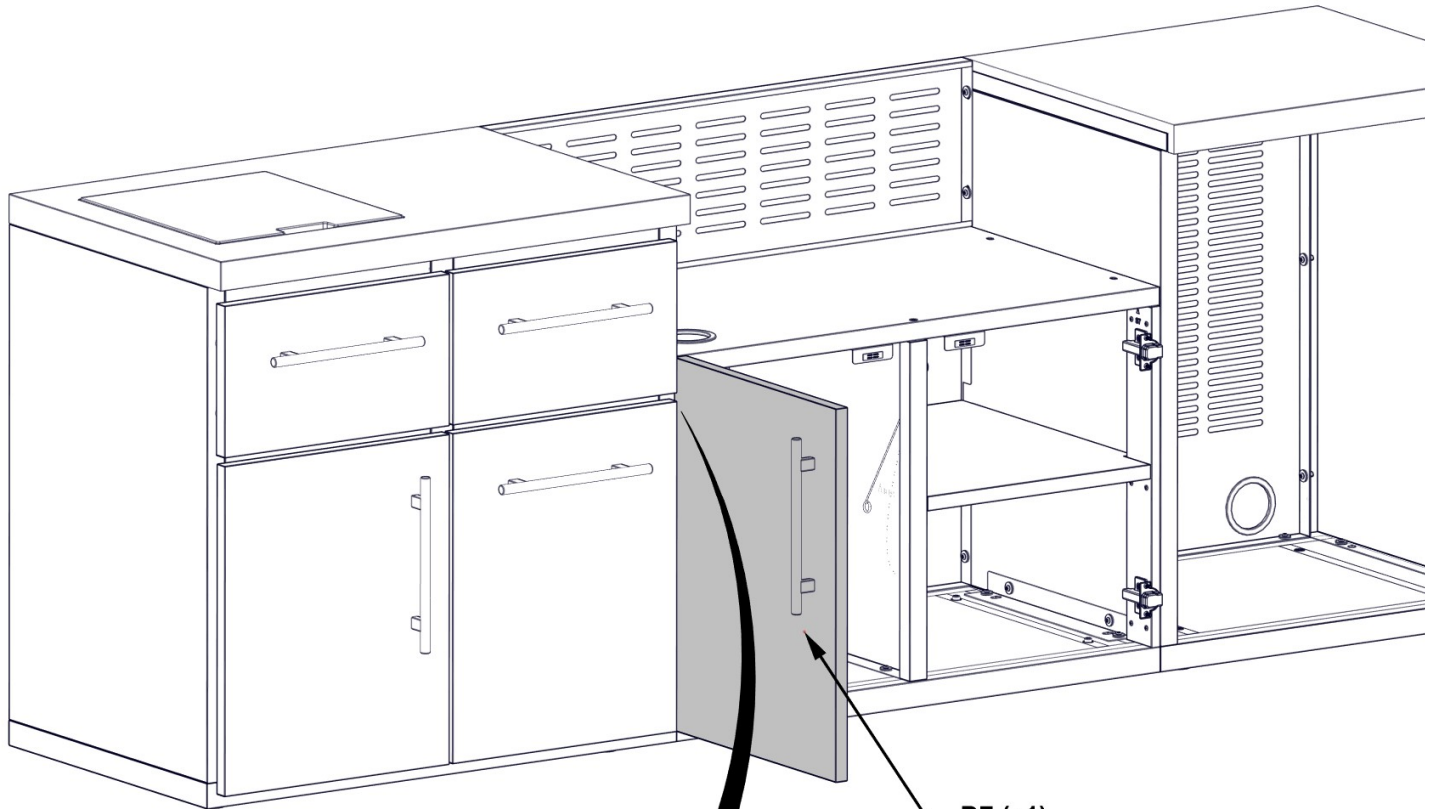
STEP 37 - CABINET DOOR ATTACHMENT



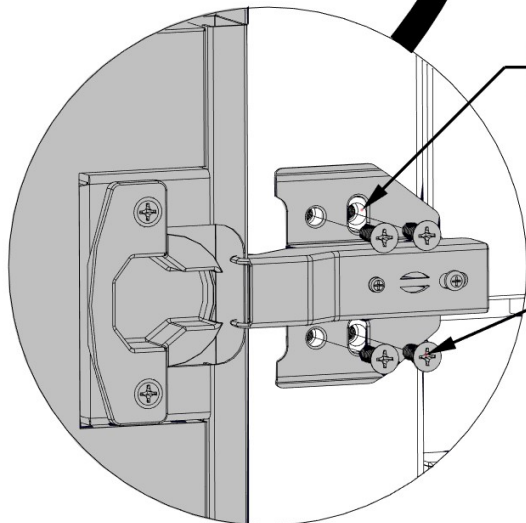
Qty	PartNo	Description
8	H101185	PHILLIPS FLAT HEAD 8-32x.5 SCREW

D7 GRILL CABINET DOOR ASSEMBLY L - A4M03587
 (x1) 24 13/16"x19 1/16"x15/16" (24x484.15x630)

- FOR THIS STEP IT IS HELPFUL TO HAVE AN ADDITIONAL PERSON HELP HOLD DOOR IN PLACE.
- WITH CABINET HINGES ATTACHED TO DOOR, ALIGN HOLES IN HINGE BRACKET WITH THREADED INSERTS IN SIDE OF CABINET PANEL.



D7 (x1)
 GRILL CABINET DOOR ASSEMBLY L

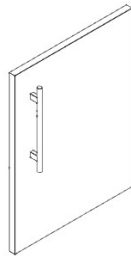


**ALIGN HINGE BRACKET WITH
 THREADED INSERTS IN PANEL**

DO NOT OVERTIGHTEN HARDWARE

1185 (x8)
 SCREW - 1/2"

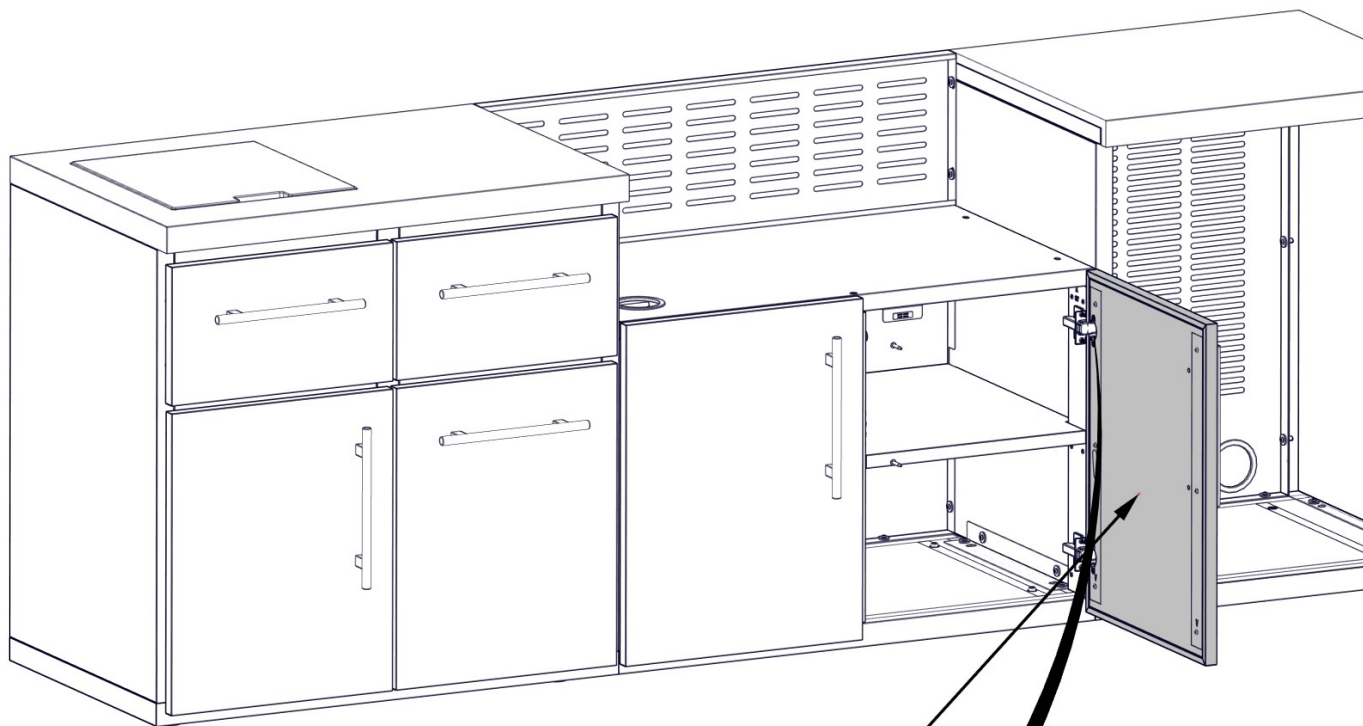
STEP 38 - CABINET DOOR ATTACHMENT



Qty	PartNo	Description
8	H101185	PHILLIPS FLAT HEAD 8-32x.5 SCREW

D8 GRILL CABINET DOOR ASSEMBLY R - A4M03590
(x1) 24 13/16"x19 1/16"x15/16" (24x484.15x630)

- FOR THIS STEP IT IS HELPFUL TO HAVE AN ADDITIONAL PERSON HELP HOLD DOOR IN PLACE.
- WITH CABINET HINGES ATTACHED TO DOOR, ALIGN HOLES IN HINGE BRACKET WITH THREADED INSERTS IN SIDE OF CABINET PANEL.

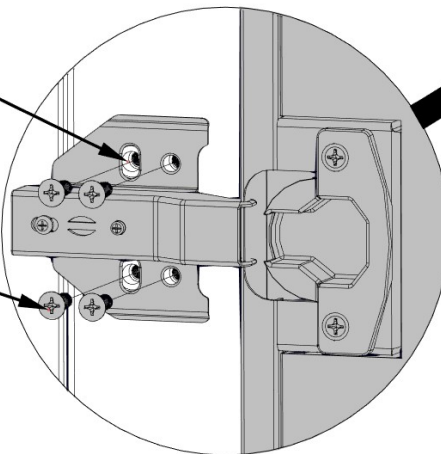


D8 (x1)
GRILL CABINET DOOR ASSEMBLY R

**ALIGN HINGE BRACKET WITH
THREADED INSERTS IN PANEL**

DO NOT OVERTIGHTEN HARDWARE

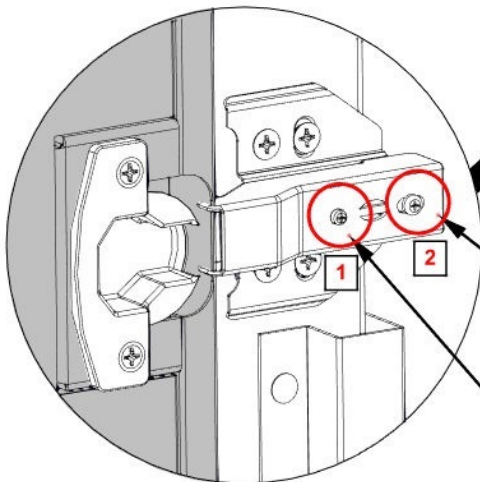
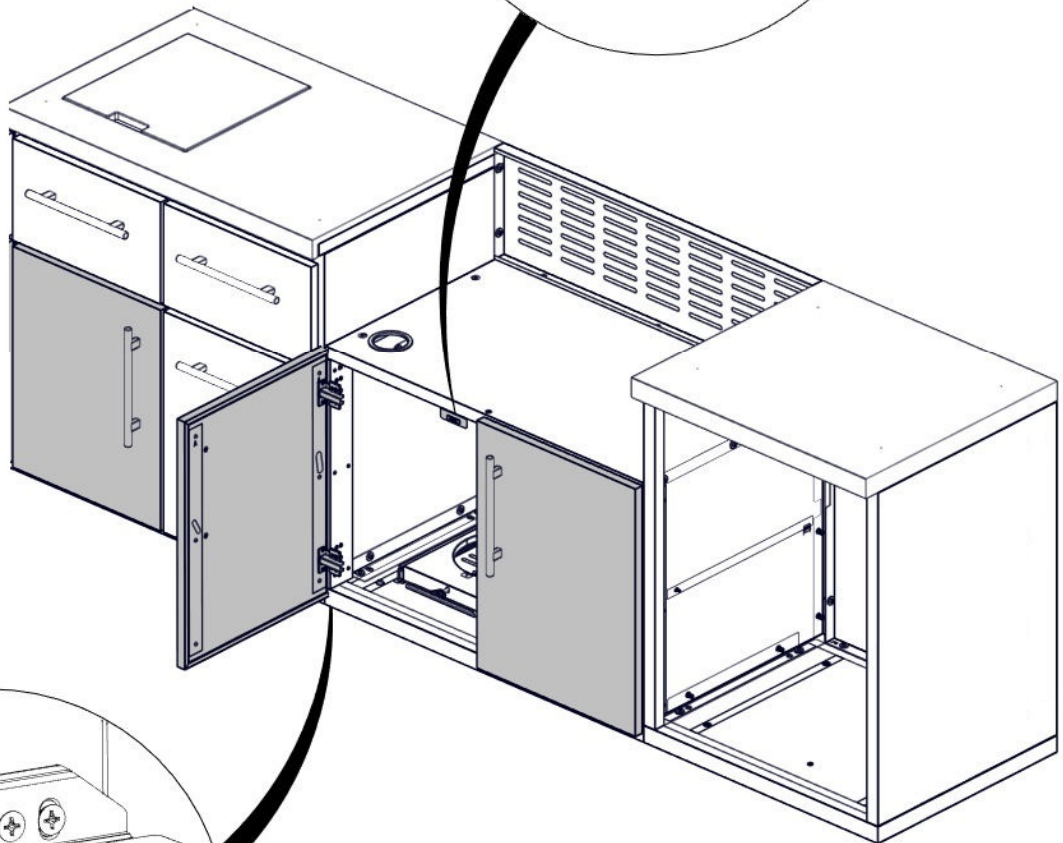
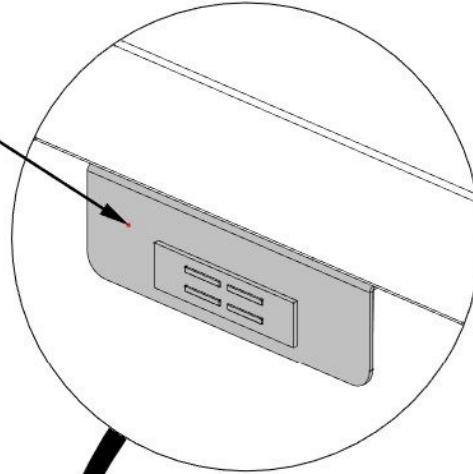
1185 (x8)
SCREW - 1/2"



STEP 39 - CABINET DOOR ADJUSTMENT (AS NEEDED)

- ADJUST HINGES (AS NEEDED) SO THAT THE GAP AROUND ALL DOORS IS THE SAME AND THERE IS NO INTERFERENCE BETWEEN DOORS AND CABINETS.
- ADJUST MAGNET CATCH BRACKETS AS NEEDED.

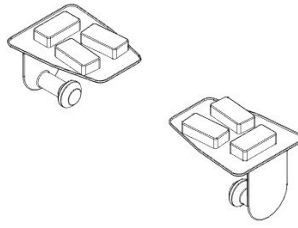
**LOOSEN SCREWS TO ADJUST
MAGNET BRACKET, UNTIL IT
COMES IN CONTACT WITH
DOOR IN THE SHUT POSITION**



**SCREW #2:
LOOSEN THESE SCREWS TO
SLIDE DOOR TOWARD CABINET
OR AWAY FROM CABINET**

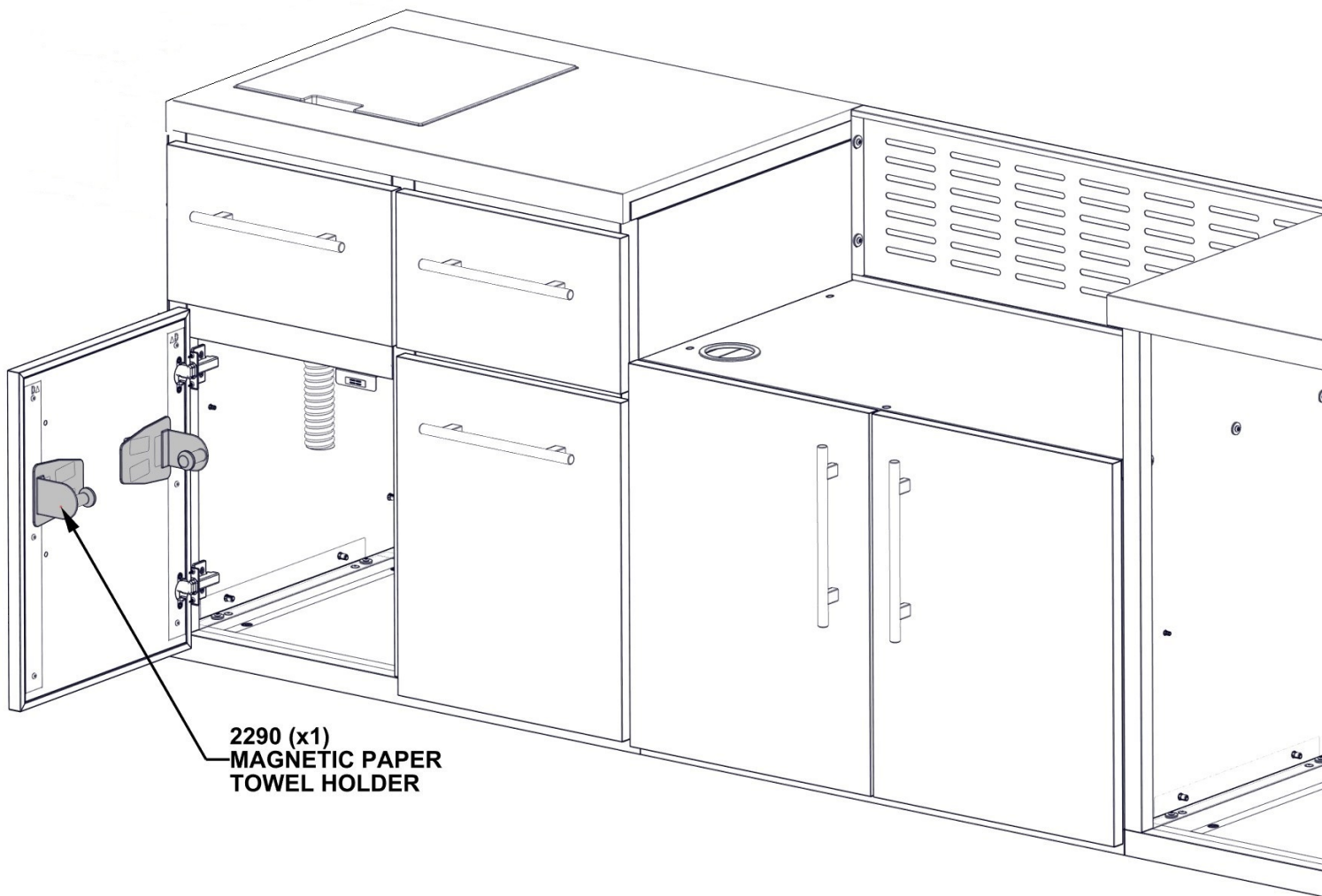
**SCREW #1:
SCREW CLOCKWISE TO BRING
EDGE OF DOOR AWAY FROM
CABINET. SCREW COUNTER
CLOCKWISE TO BRING EDGE OF
DOOR CLOSER TO CABINET**

STEP 40 - KITCHEN ACCESSORY

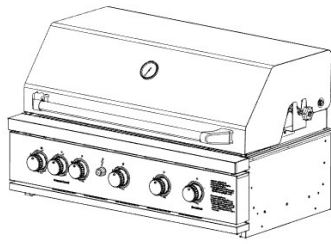


A4M02290 MAGNETIC PAPER TOWEL HOLDER
(x1)

- MAGNETIC PAPER TOWEL HOLDER CAN BE ATTACHED TO ANY METAL SURFACE ON KITCHEN.
- WE RECOMMEND ATTACHING TO THE INSIDE OF GRILL CABINET DOORS.
- **MAKE SURE TO KEEP PAPER TOWEL HOLDER AT A SAFE DISTANCE FROM GRILLING SURFACE.**

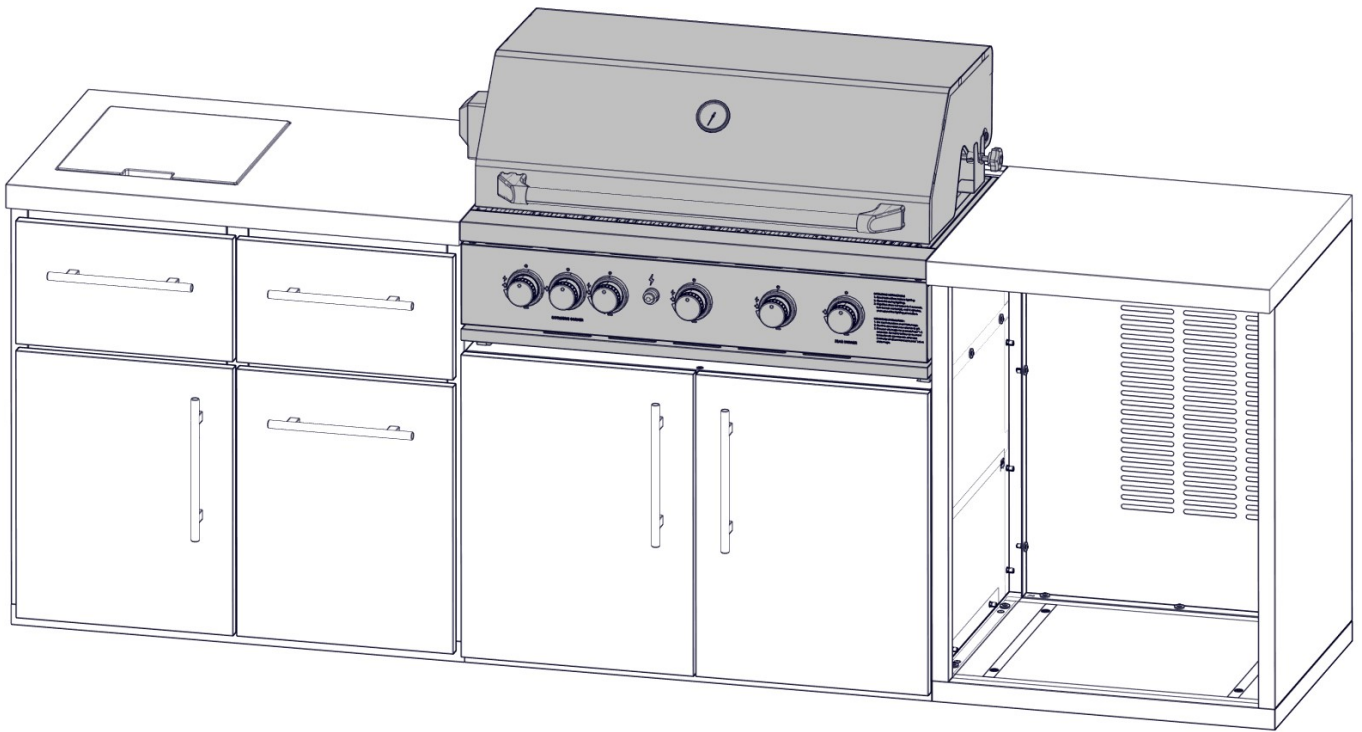


OUTDOOR KITCHEN GRILL KIT



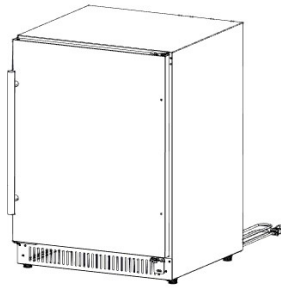
9240025 OUTDOOR KITCHEN GRILL KIT
(x1)

-
- FOR INSTALLATION AND DETAILED INFORMATION OF OUTDOOR KITCHEN GRILL KIT, REFER TO ASSEMBLY INSTRUCTIONS THAT COME PACKAGED WITH THE OUTDOOR KITCHEN GRILL KIT.
 - FOLLOW DIRECTIONS FOR PROPER CARE AND USE.



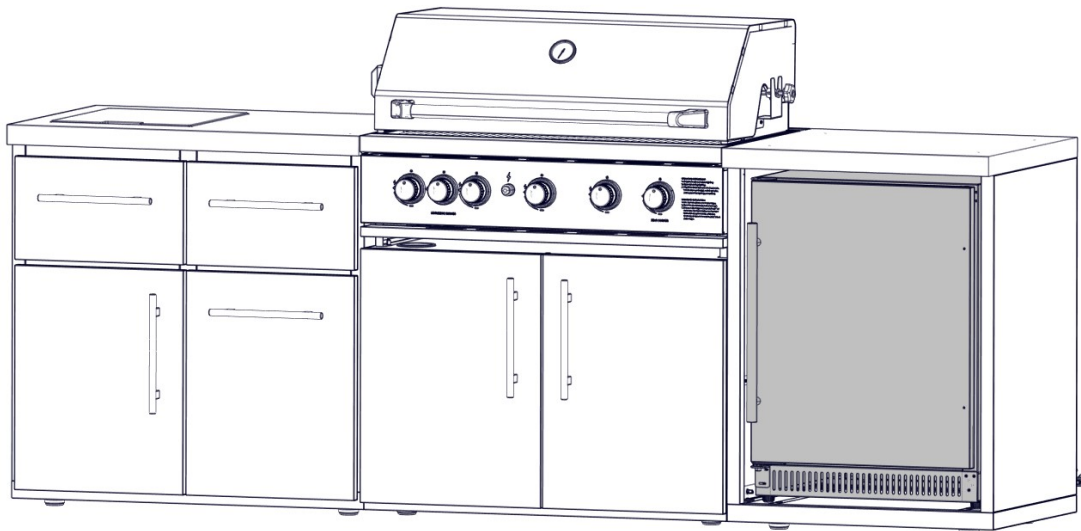
**NATURAL GAS CONVERSION KIT AVAILABLE BY CONTACTING BACKYARD DISCOVERY AT
www.backyarddiscovery.com 1-800-856-4445**

OUTDOOR KITCHEN FRIDGE



9240162 OUTDOOR KITCHEN FRIDGE - RIGHT OPEN
(x1)

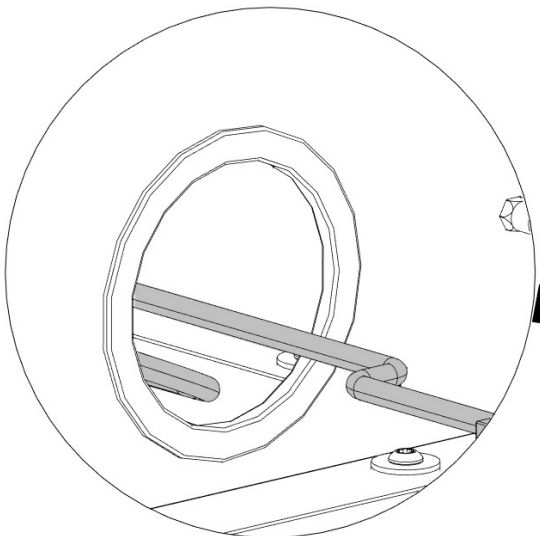
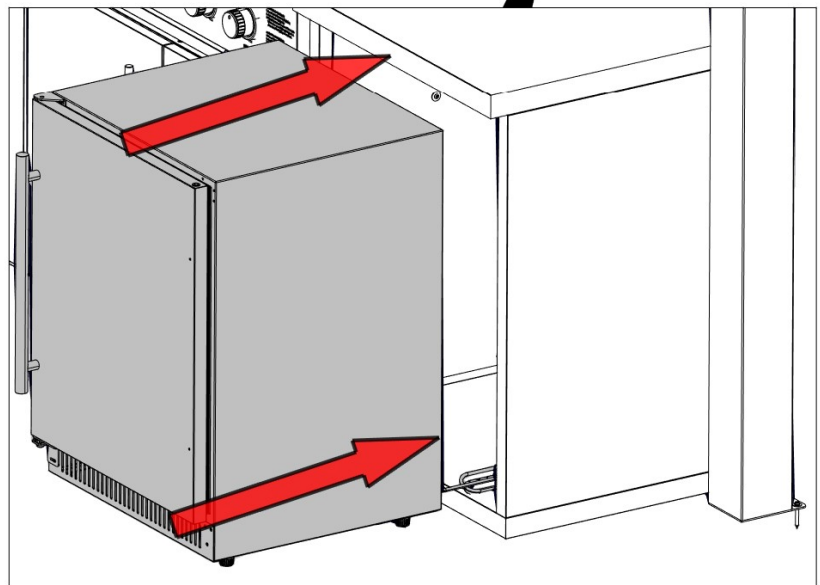
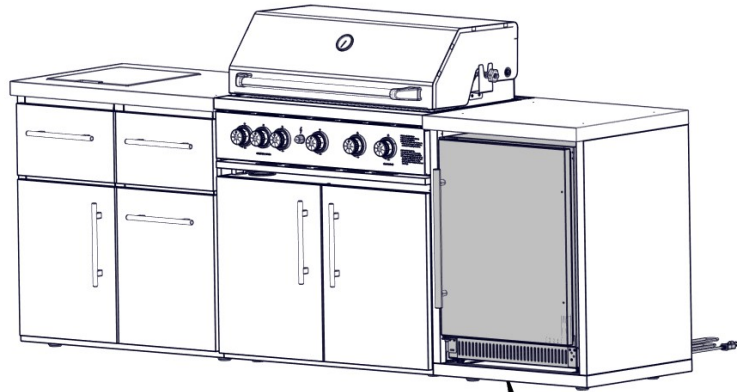
-
- FOR INSTALLATION OF OUTDOOR KITCHEN FRIDGE, REFER TO PAGES IN THIS INSTRUCTION MANUAL.
 - FOR DETAILED INFORMATION OF OUTDOOR KITCHEN FRIDGE, REFER TO ASSEMBLY INSTRUCTIONS THAT COME PACKAGED WITH THE OUTDOOR KITCHEN FRIDGE.
 - FOLLOW DIRECTIONS FOR PROPER CARE AND USE.



OUTDOOR KITCHEN FRIDGE

- CAREFULLY SLIDE FRIDGE INTO CABINET OPENING MAKING SURE THAT THE ELECTRICAL CORD IS ROUTED THROUGH THE HOLES IN THE BACK PANEL OF THE CABINET.

- IF FRIDGE IS NOT IN UPRIGHT POSITION, PLEASE LET SIT FOR 24 HRS BEFORE PLUGGING INTO RECEPTACLE.



OUTDOOR KITCHEN FRIDGE

- ALIGN FEET ON FRIDGE UNIT SO THAT IT IS LEVEL AND DOES NOT TILT.
- TURN FEET CLOCKWISE TO EXTEND THEM AND COUNTERCLOCKWISE TO SHORTEN. REPEAT THIS FOR ALL FOUR FRIDGE FEET AS NEEDED TO LEVEL.

