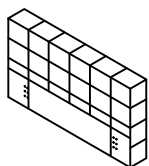


ASSEMBLY INSTRUCTION

TWIN / FULL HEADBOARD

A Headboard



1 pc

B HB Leg



2 pcs

C Allen Bolt
Ø5/16" x 55mm



4 pcs

D Spring Washer
Ø5/16"



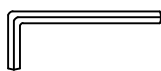
4 pcs

E Flat Washer
Ø5/16" x 19 mm

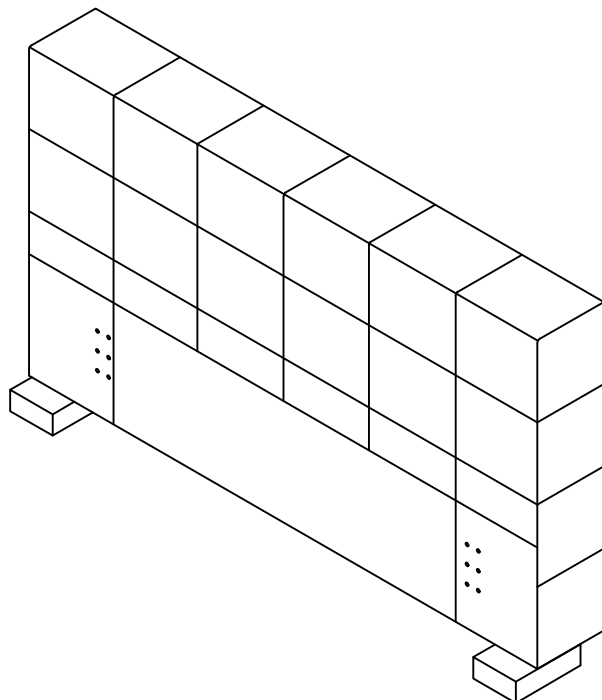


4 pcs

F Allen Key
4mm



1 pc



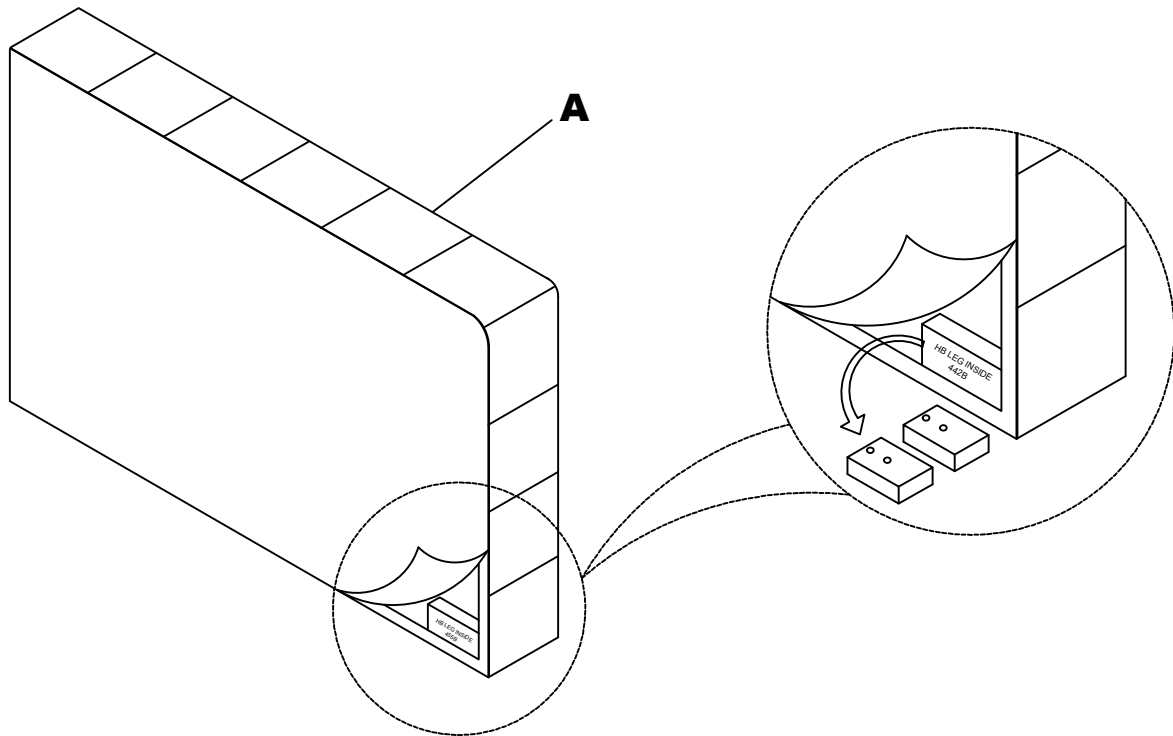
This page lists all the contents included in the box. Please take the time to identify the hardware as well as the individual components to this product. As you unpack and prepare for assembly, place the contents on a carpeted or padded area to protect them from damage.

IMPORTANT NOTE:

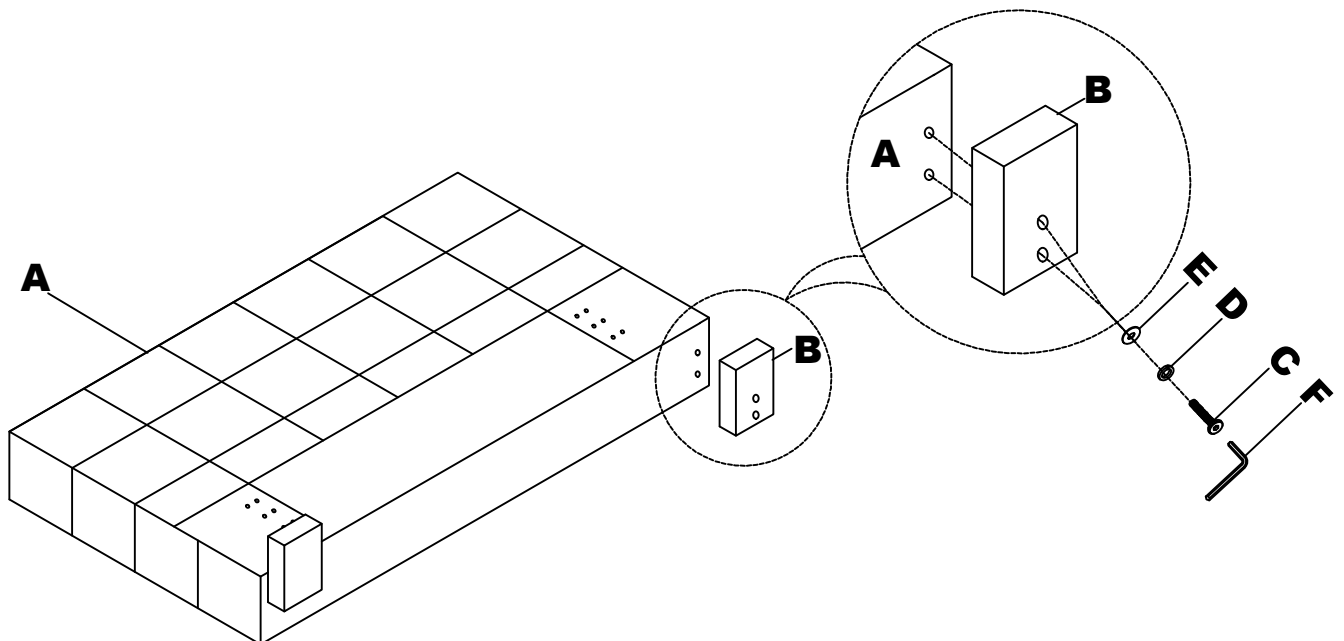
1. Do not tighten all screws / bolts until all completely assembled.
2. Keep all hardware parts out of reach of children.

***** Do not tighten screws & bolts until the entire unit is completely assembled.**

- 1** Take the leg box out of the inner box from the back of Headboard (A).



- 2** Attach HB Leg (B) to Headboard (A) using Allen Bolt (C), Spring Washer (D), Flat Washer (E) and Allen Key (F).

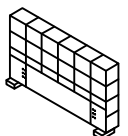
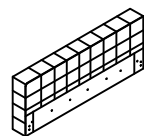
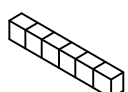
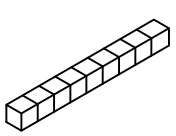
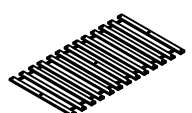

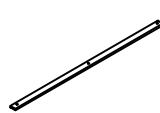
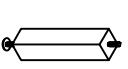
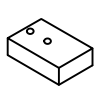
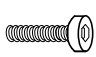

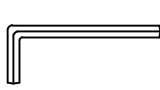

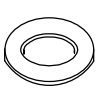

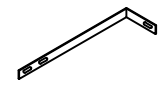



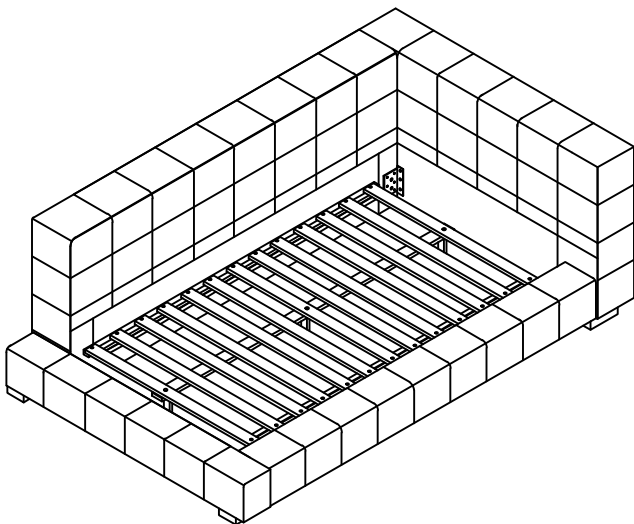
Cleaning & Care

Treat surface with care. Surface is resistant to scratches but is not scratch resistant. Clean surfaces with a dry or damp soft cloth. Do not use abrasive cleaners. Hardware may loosen over time. Periodically check that all connections are tight.

ASSEMBLY INSTRUCTION

TWIN BED

A Headboard  1 pc	B Back Panel  1 pc	C Footboard  1 pc	D Side Rail  1 pc
E Slat Roll  1 set	F Rail Support  2 pcs	G Center Slat Support  1 pc	H Support Leg  3 pcs
I FB Leg  2 pcs	J Allen Bolt $\text{\O}5/16'' \times 25\text{mm}$  23 pcs	K Allen Bolt $\text{\O}5/16'' \times 55\text{mm}$  18 pcs	L Allen Key 4mm  1 pc
M Spring Washer $\text{\O}5/16''$  39 pcs	N Flat Washer $\text{\O}5/16'' \times 19 \text{ mm}$  39 pcs	O Screw $\text{\O}8 \times 30\text{mm}$  50 pcs	P L Shape Metal Connector $370 \times 100 \times 25 \times 2.5\text{mm}$  1 pc
Q Metal Connector $150 \times 70 \times 38 \times 3\text{mm}$  4 pcs			



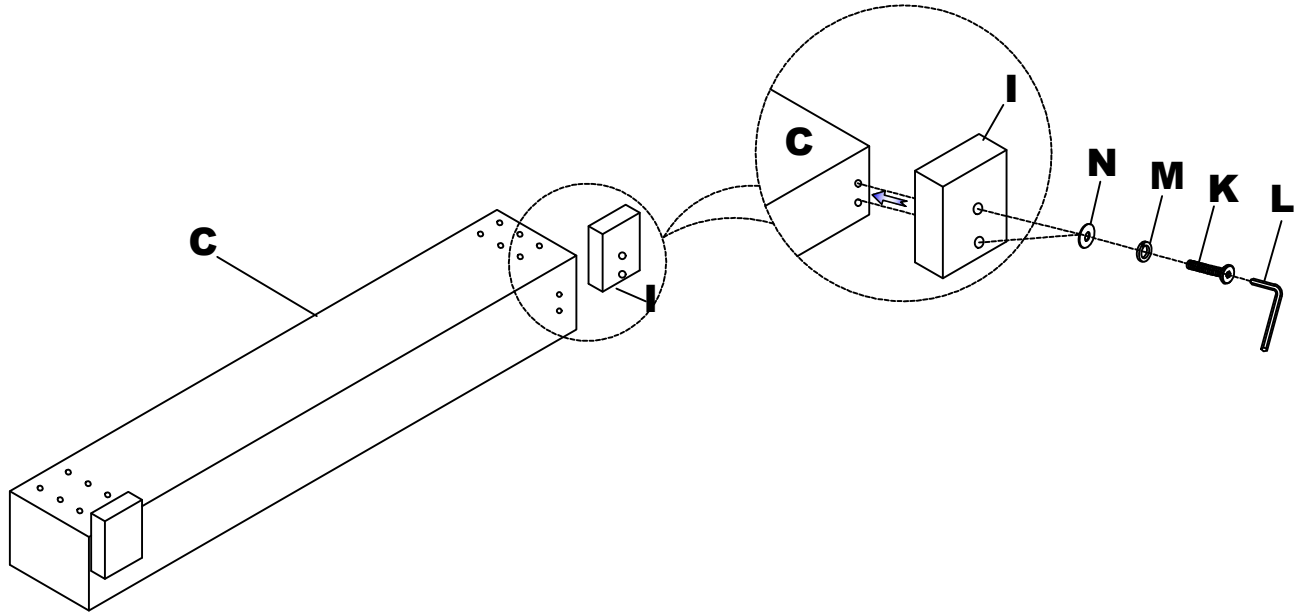
This page lists all the contents included in the box. Please take the time to identify the hardware as well as the individual components to this product. As you unpack and prepare for assembly, place the contents on a carpeted or padded area to protect them from damage.

IMPORTANT NOTE:

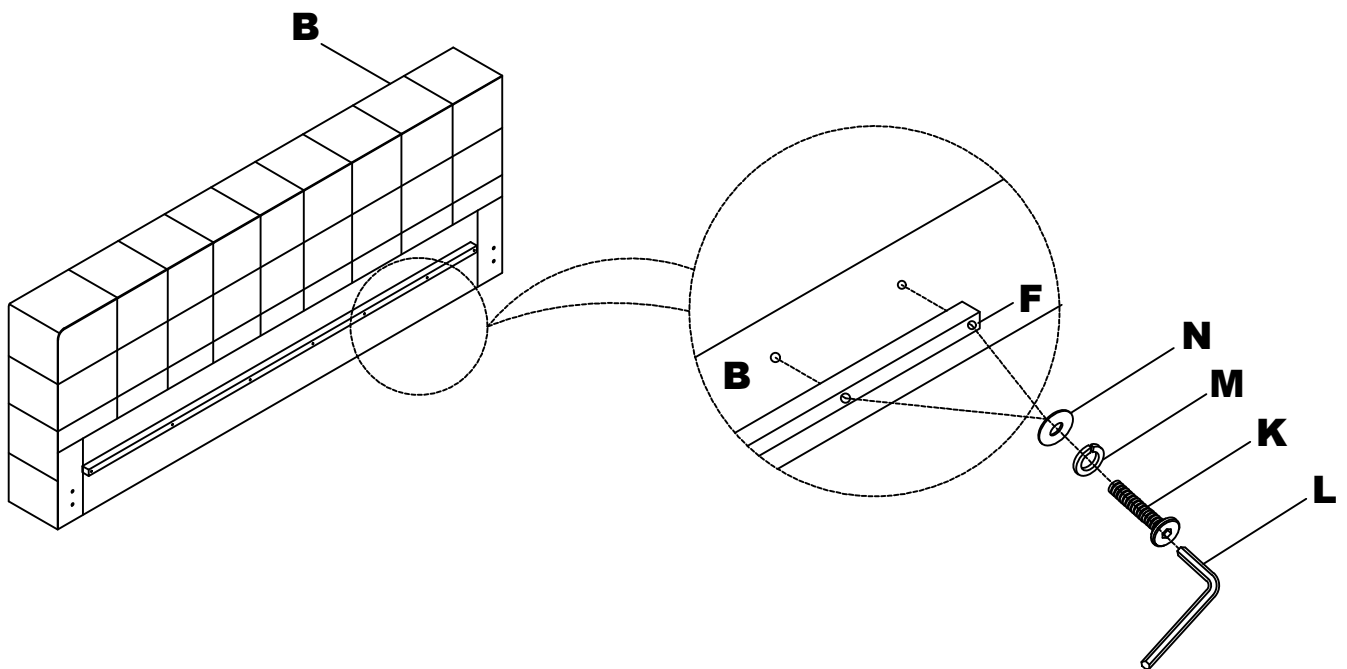
1. Do not tighten all screws / bolts until all completely assembled.
2. Keep all hardware parts out of reach of children.

***** Do not tighten screws & bolts until the entire unit is completely assembled.**

- 1** Attach FB Leg (I) to Footboard (C) using Allen Bolt (K), Spring Washer (M), Flat Washer (N) and Allen Key (L).

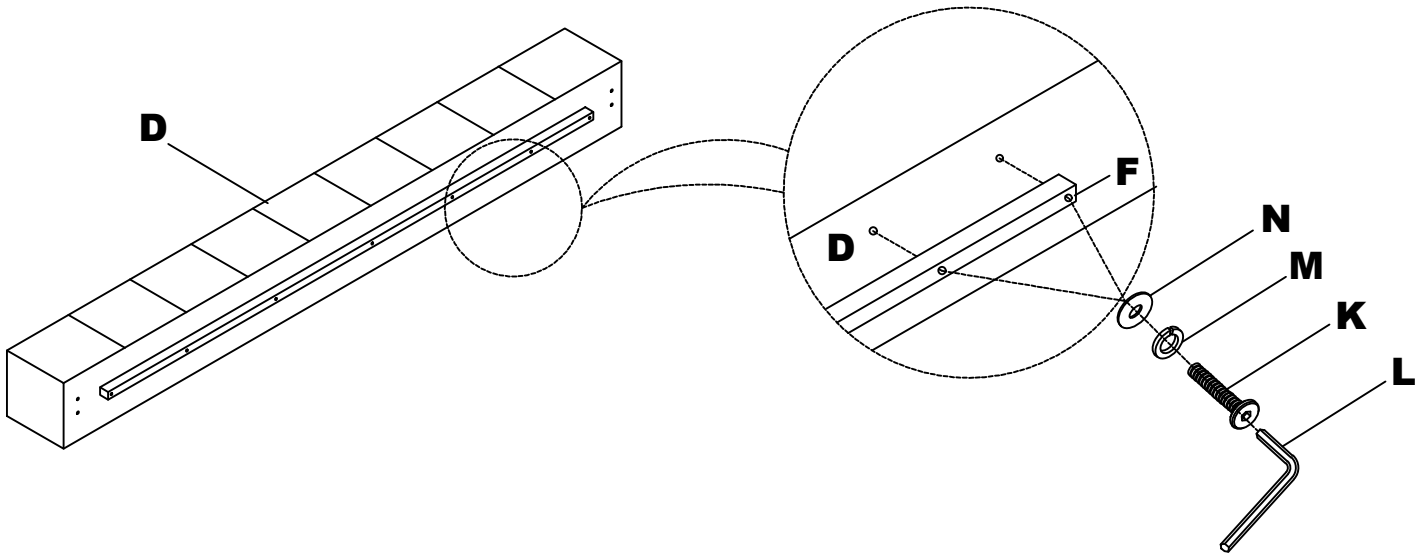


- 2** Attach Rail Support (F) to Back Panel (B) using Allen Bolt (K), Spring Washer (M), Flat Washer (N) and Allen Key (L).

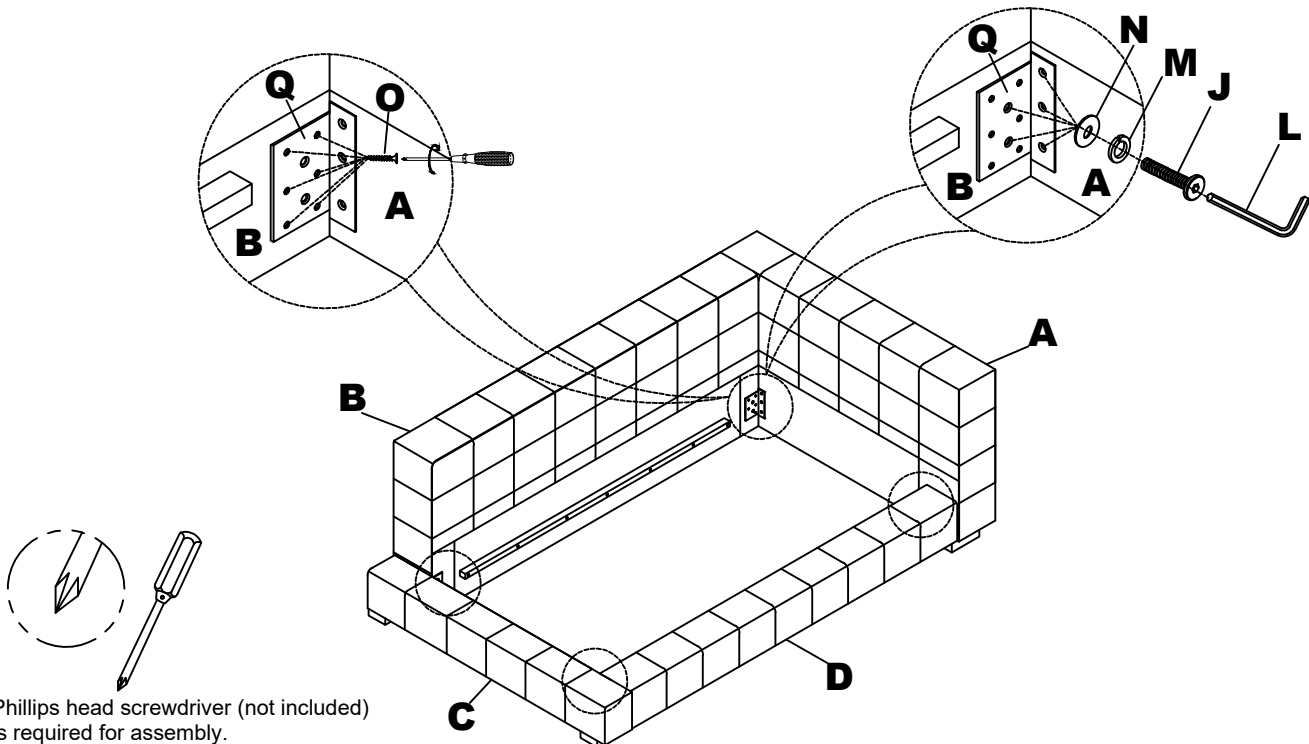


***** Do not tighten screws & bolts until the entire unit is completely assembled.**

- 3** Attach Rail Support (F) to Side Rail (D) using Allen Bolt (K), Spring Washer (M), Flat Washer (N) and Allen Key (L).



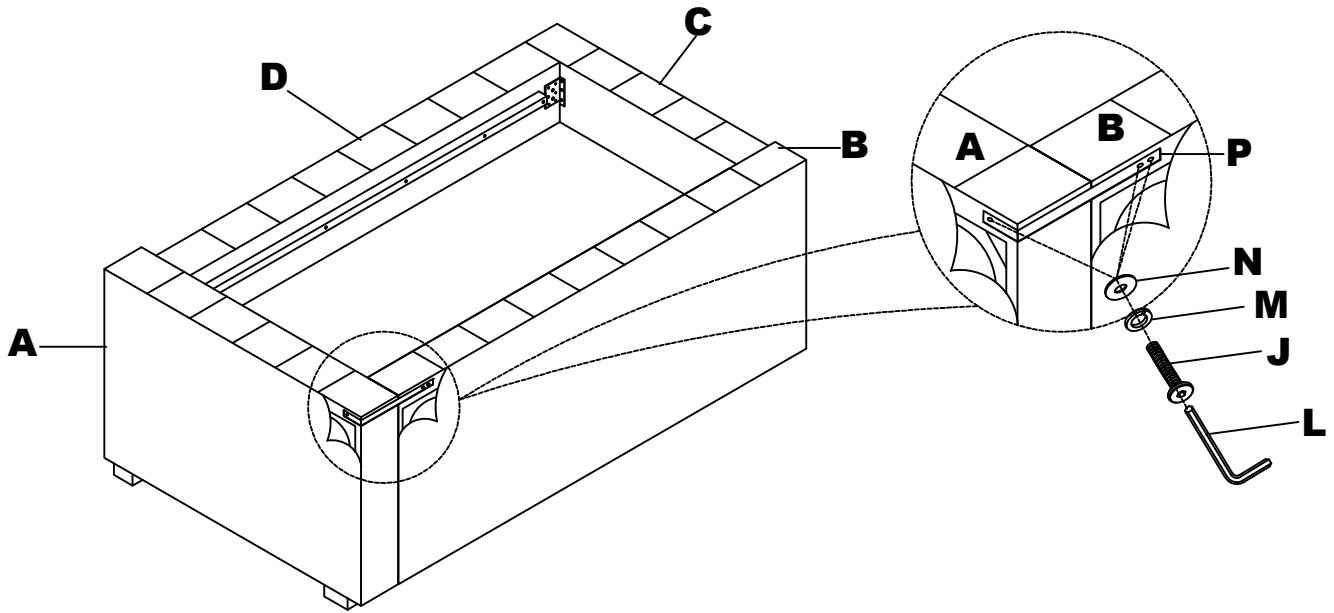
- 4** Attach Metal Connector (Q) to Headboard (A), Back Panel (B), Footboard (C) & Side Rail (D) using Allen Bolt (J), Spring Washer (M), Flat Washer (N), Screw (O), and Allen Key (L).



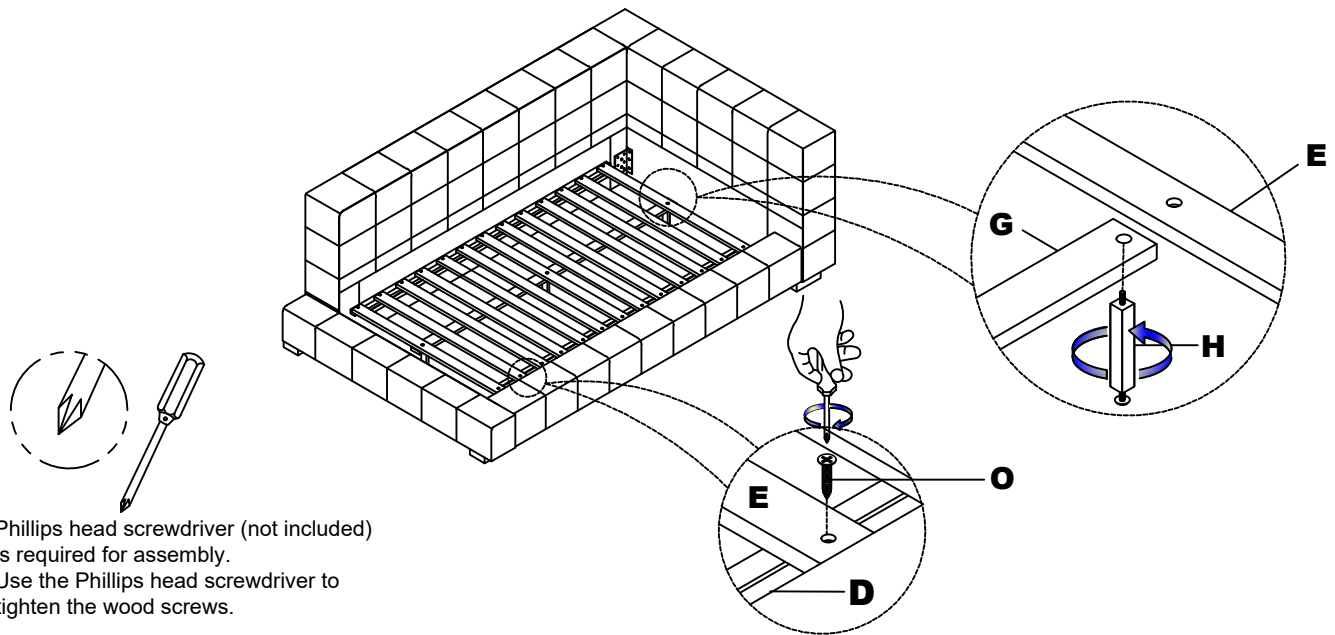
Phillips head screwdriver (not included) is required for assembly. Use the Phillips head screwdriver to tighten the wood screws.

***** Do not tighten screws & bolts until the entire unit is completely assembled.**

- 5** Attach L Shape Metal Connector (P) to Headboard (A) and Back Panel (B) using Allen Bolt (J), Spring Washer (M), Flat Washer (N) and Allen Key (L).

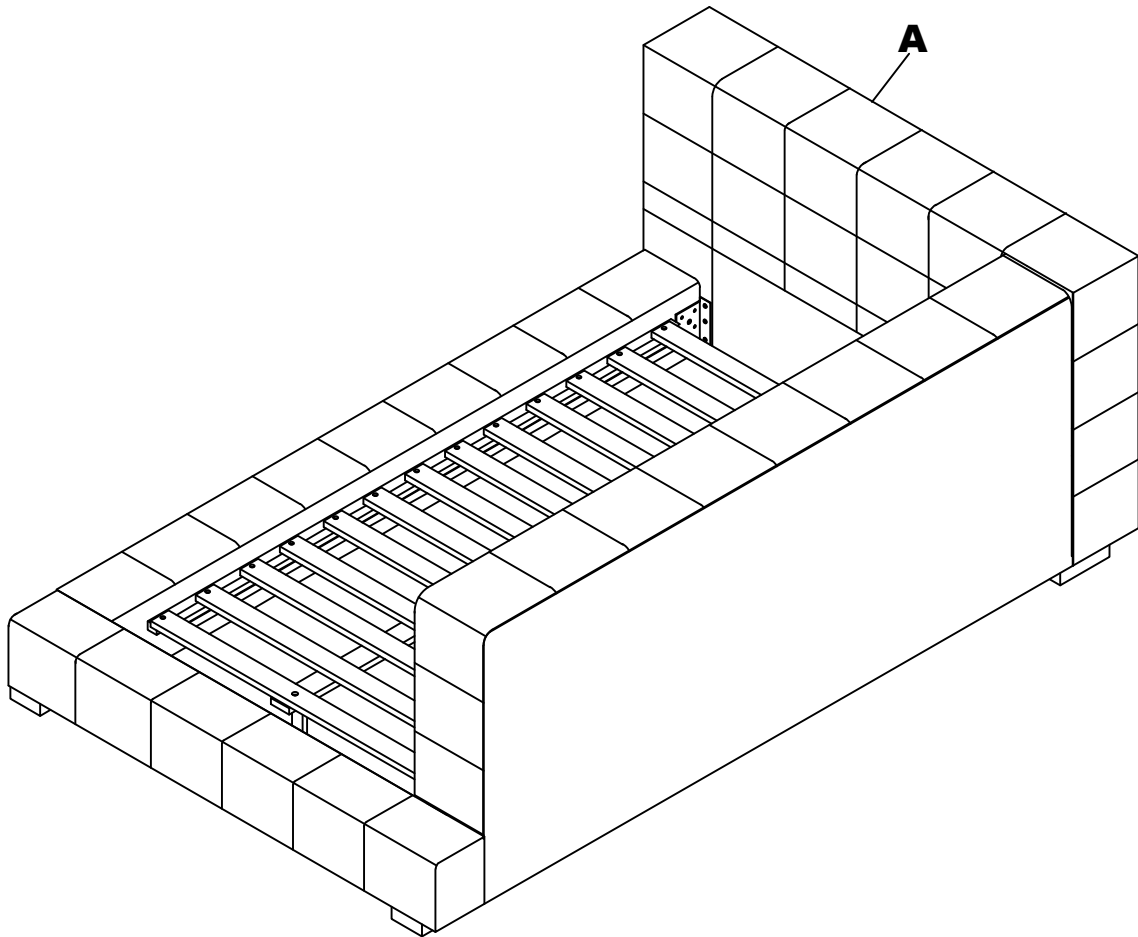


- 6** Attach Support Leg (H) to Center Slat Support (G) and Slat Roll (E). Then place Slat Roll (E) on Side Rail (D) with Screw (O).



***** Do not tighten screws & bolts until the entire unit is completely assembled.**

Remark: The Headboard (A) can interchange from right side to left side.



Cleaning & Care

Treat surface with care. Surface is resistant to scratches but is not scratch resistant. Clean surfaces with a dry or damp soft cloth. Do not use abrasive cleaners. Hardware may loosen over time. Periodically check that all connections are tight.