



BEST CHOICE
PRODUCTS



INSTRUCTION MANUAL

5-Piece Kids Beginner
Drum Set

SKY5565 + SKY5566 + SKY9198 + SKY9199 + SKY9200 + SKY9201
SKY9202 + SKY9410

! NOTICE

- Do not stand on or use any part of this product as a step ladder.
- Firmly secure all bolts, screws and knobs before use.
- Reconfirm that all bolts, screws, and knobs are secure every 90 days.
- Do not use or store this item in the proximity of open flame or flammable/combustible chemicals.
- Be aware that some parts are heavy and have sharp edges
- If any parts are missing, broken, damaged, or worn, stop using this item until repairs are made and/or factory replacement parts are installed.
- Do not use this item in a way inconsistent with the manufacturer's instructions as this could void the product warranty.
- This product is intended for residential use only.

TOOLS REQUIRED



DRUM KEY
(PROVIDED)



PHILLIPS
SCREWDRIVER



1 PERSON
ASSEMBLY



3 YEARS
OLD AND UP



UP TO 1 HOUR
ASSEMBLY

HARDWARE

1

160MM
TENSION
ROD



8 PCS

2

110MM
TENSION
ROD



8 PCS

3

WASHER



16 PCS

4

CLAW HOOK



8 PCS

5

SMALL NUT &
SCREW SET

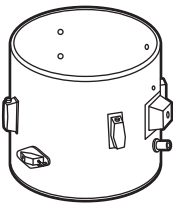


1 SET

PARTS

A

BASS SHELL



1 PC

B

BASS RIM



2 PCS

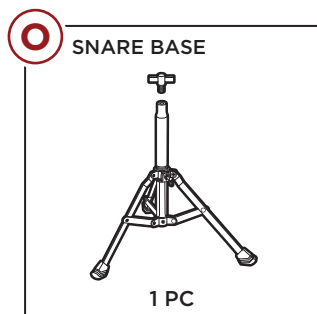
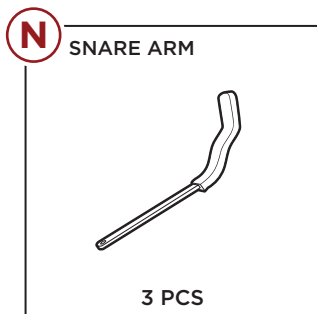
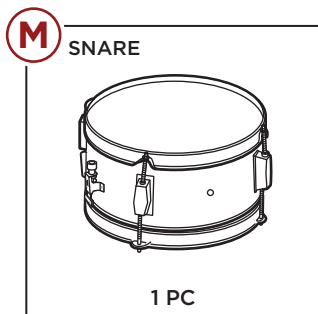
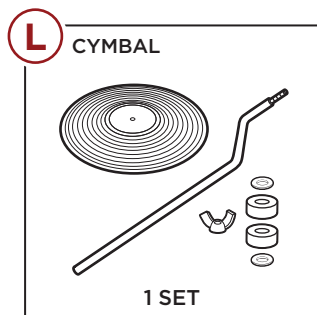
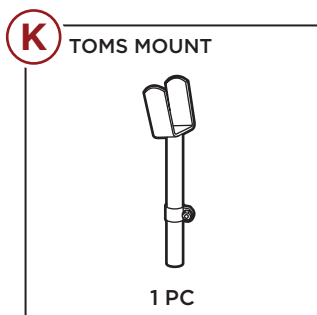
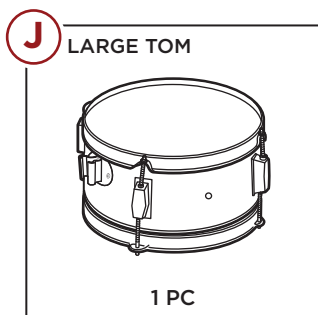
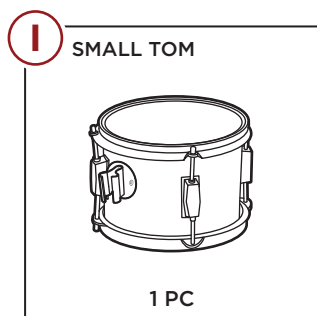
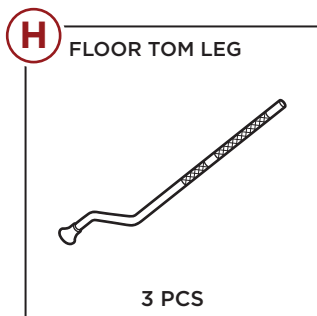
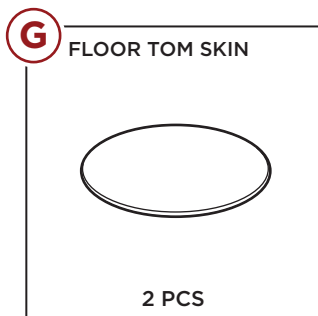
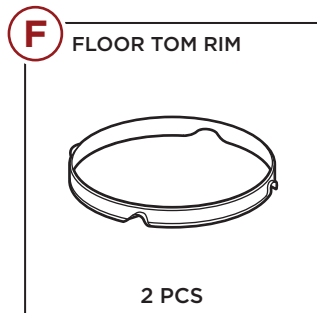
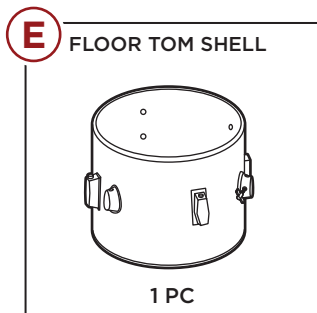
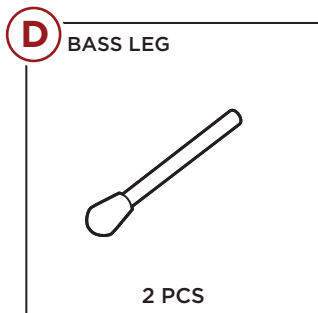
C

BASS SKIN

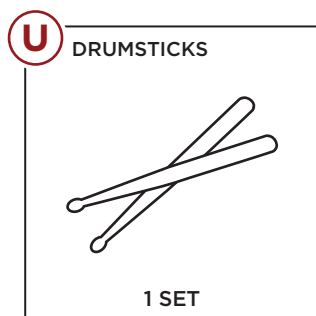
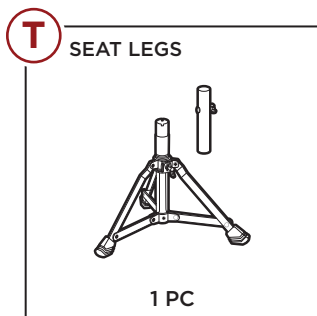
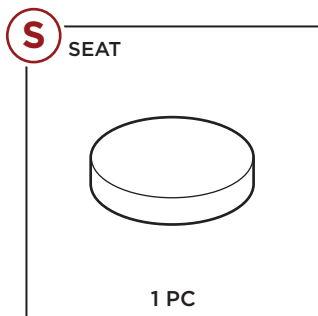
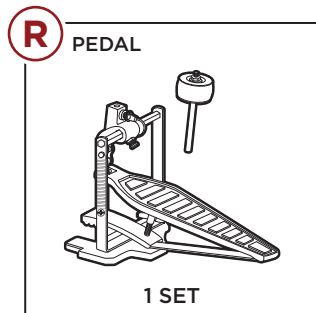
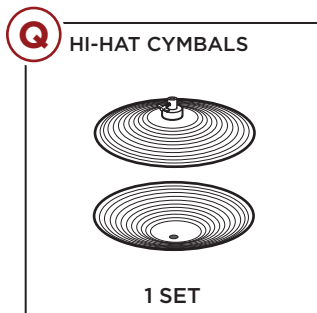
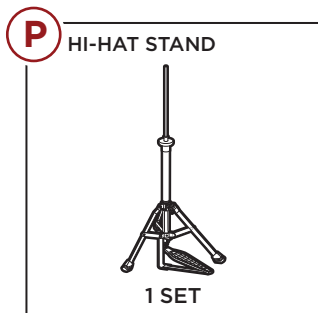


2 PCS

PARTS



PARTS

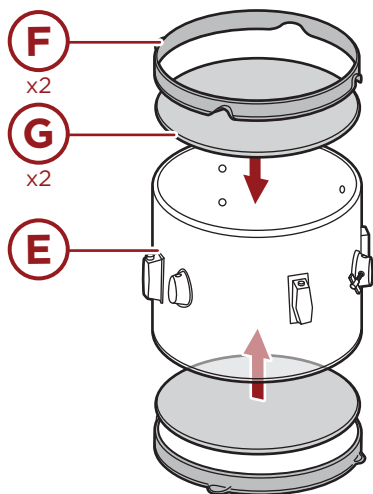


PRODUCT ASSEMBLY

1

NOTE: Before assembly, locate the **part E floor toms shell** and use the drum key to release the tension rods and remove the **part 2 floor tom rims** from the bottom.

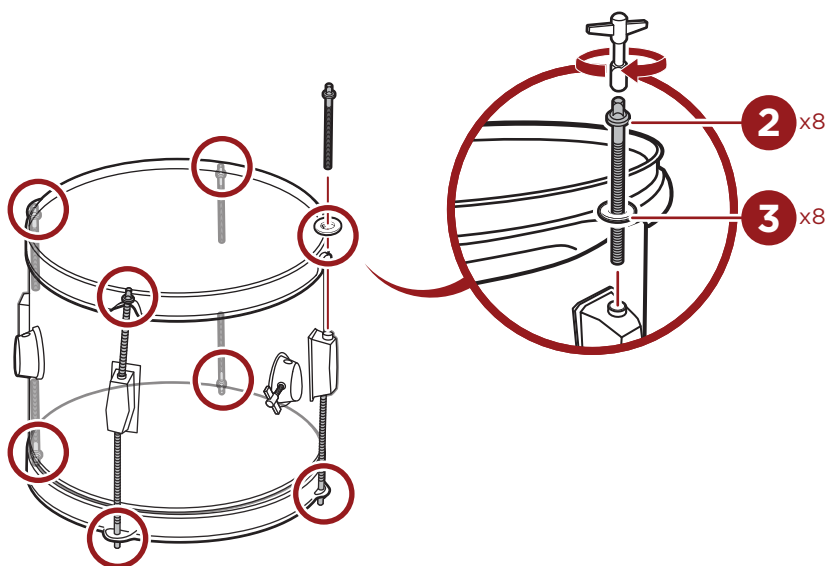
Place two **part G floor tom skins** and two **part F floor tom rims** on the **part E floor tom shell**.



PRODUCT ASSEMBLY

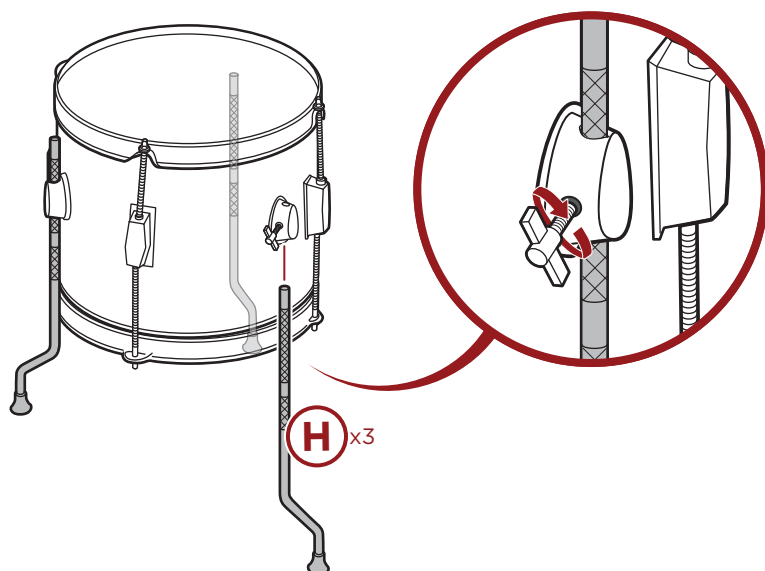
2

Attach the tom rims/skins with eight **part 2 tension rods** and eight **part 3 washers**.



3

Insert three **part H floor tom legs**. Tighten the wingnuts to secure the legs.

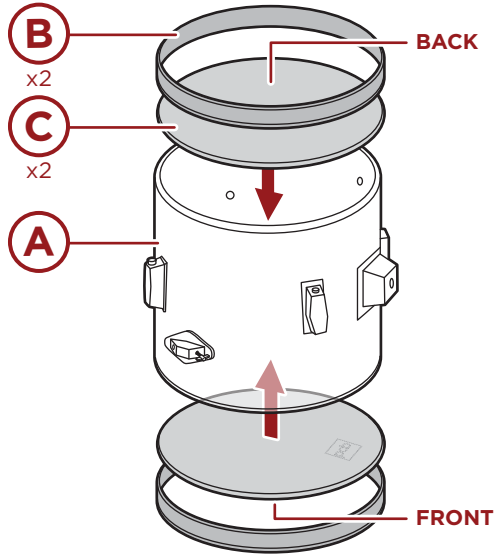


PRODUCT ASSEMBLY

4

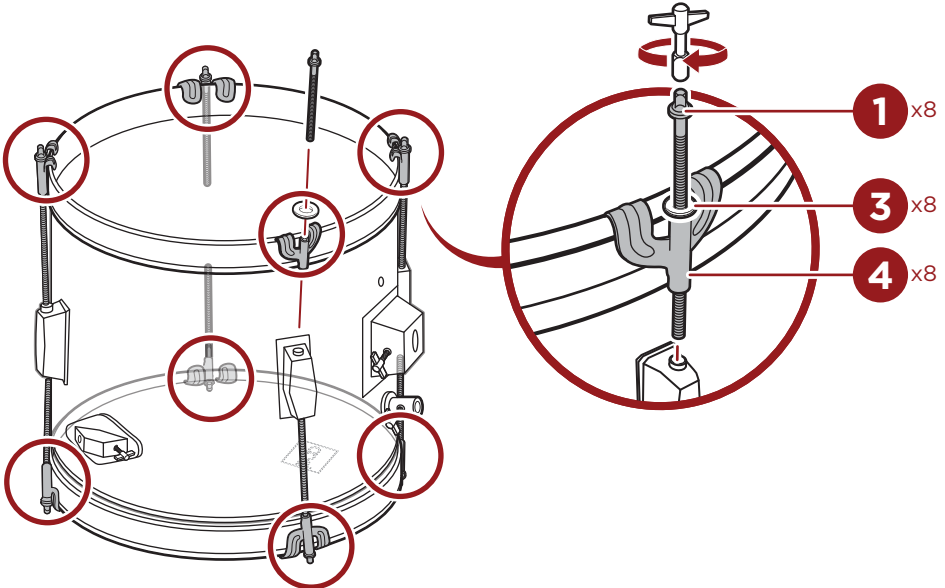
Place two **part C bass skins** and two **part B bass rims** on the **part A bass shell**.

NOTE: Locate the brand logo on one of the drum skins, consider this the “front” of the drum. Place this skin on the opening of the drum shell that sits closer to the leg mounts.



5

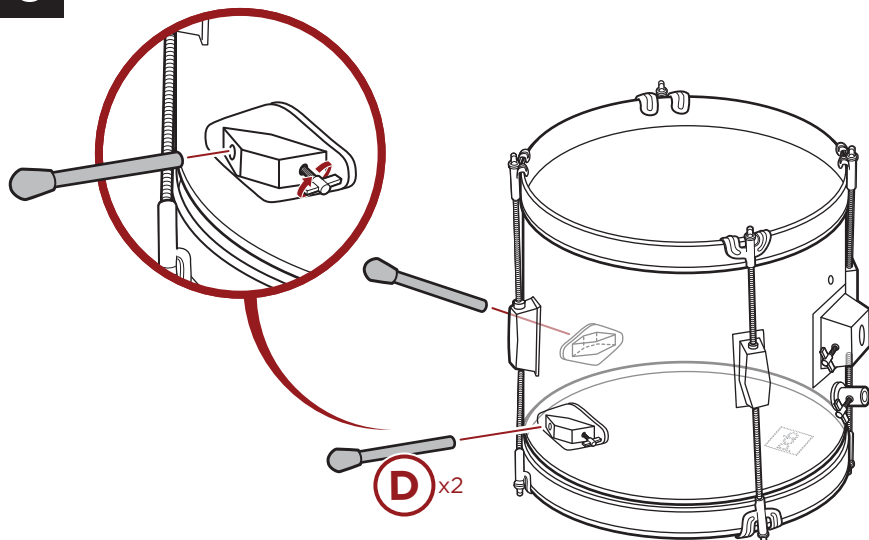
Attach the bass rims/skins with eight **part 1 tension rods**, eight **part 3 washers**, and eight **part 4 claw hooks**.



PRODUCT ASSEMBLY

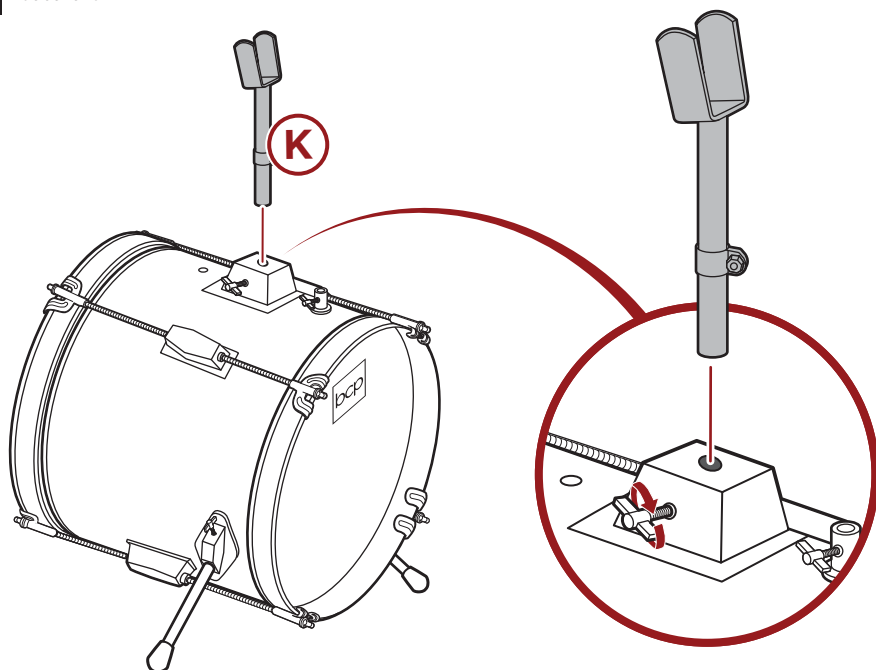
6

Insert two **part D bass legs** into the bass drum. Tighten the wingnuts to secure the legs.



7

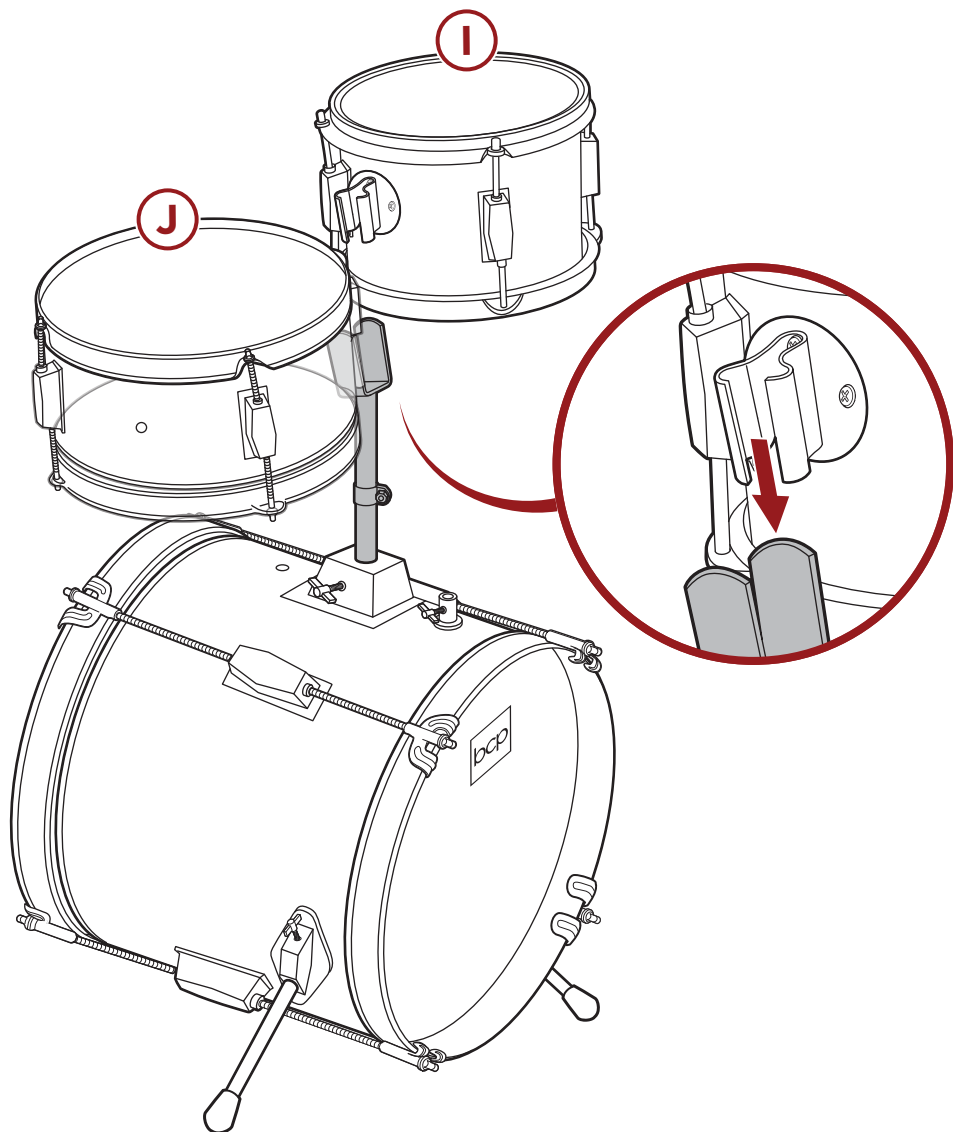
Stand the bass drum up on its legs. Insert the **part K toms mount** and tighten the wingnut to secure it.



PRODUCT ASSEMBLY

8

Slide the **part I small tom** and **part J large tom** onto the toms mount.

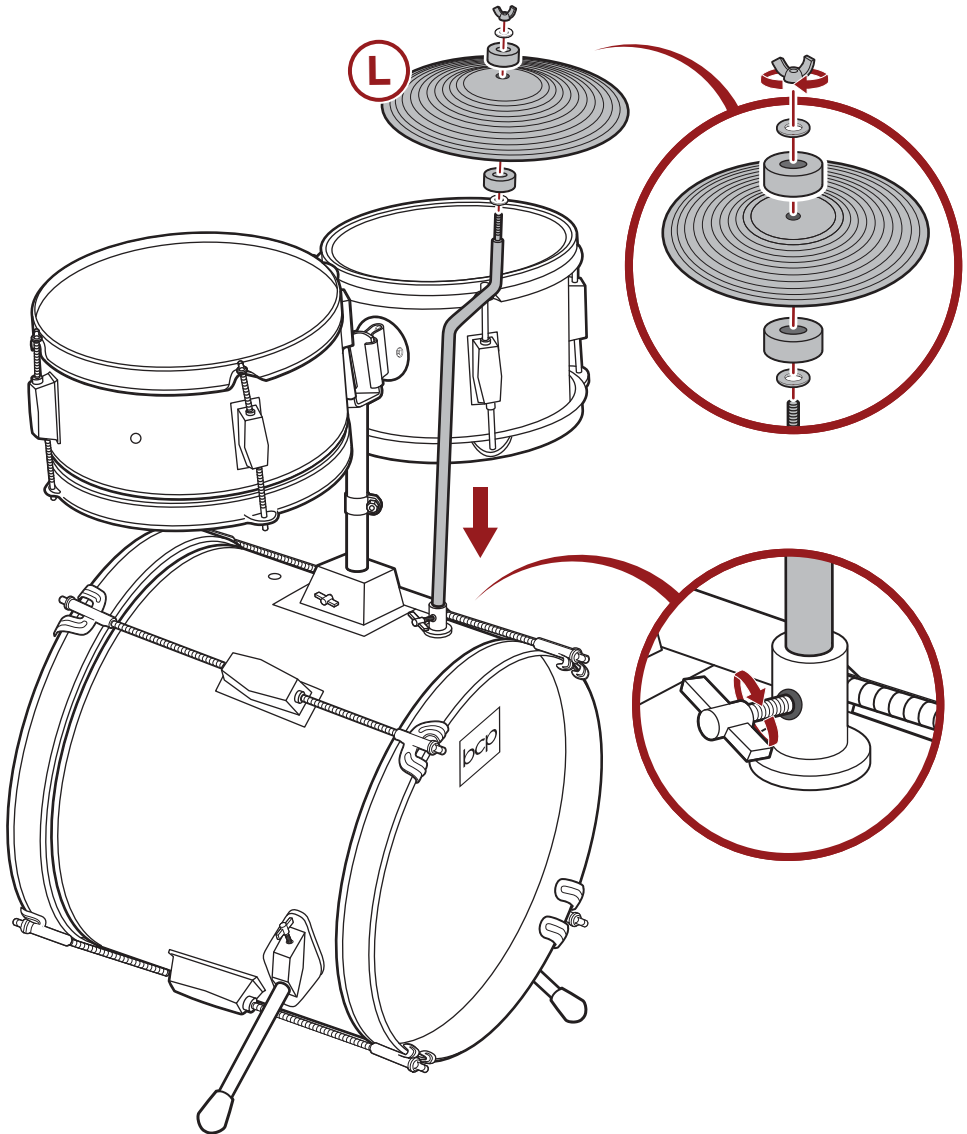


PRODUCT ASSEMBLY

9

Insert the stand from the **part L cymbal set** into the designated slot. Tighten the wingnut to secure the stand.

Remove the wingnut, washer, and pad from the stand, place the cymbal, then replace the pad, washer, and wingnut.

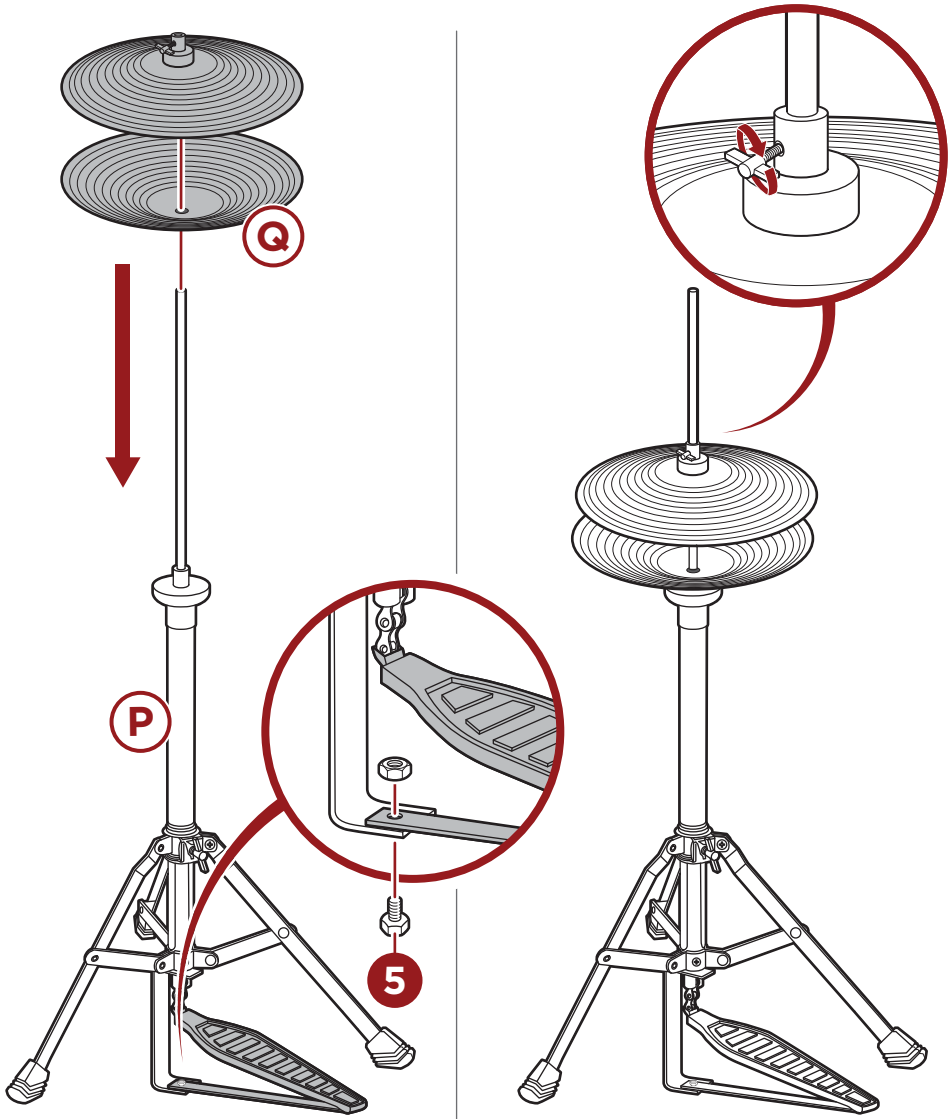


PRODUCT ASSEMBLY

10

Locate the **part P hi-hat stand** and attach the pedal's base to the bottom of the stand with the **part 5** screw and nut set.

Slide the **part Q hi-hat cymbals** onto the **part P hi-hat stand**. Adjust the upper hi-hat to your desired height, then tighten the wingnut to secure it.



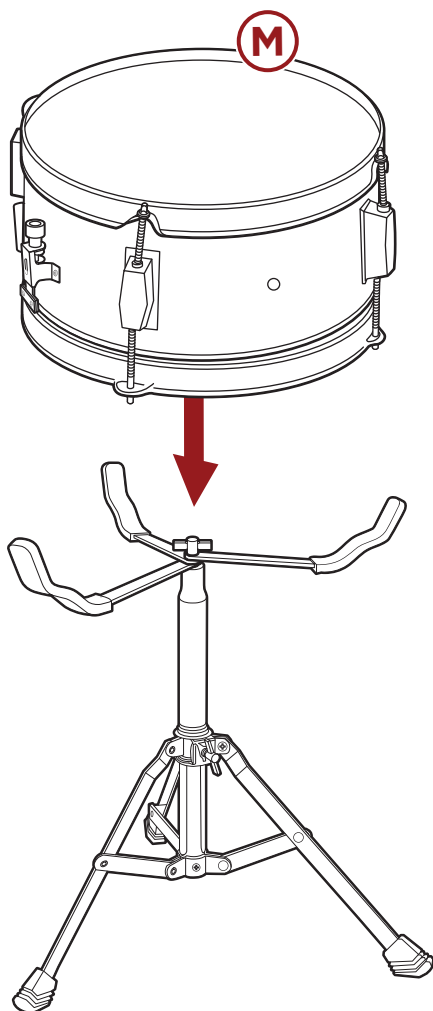
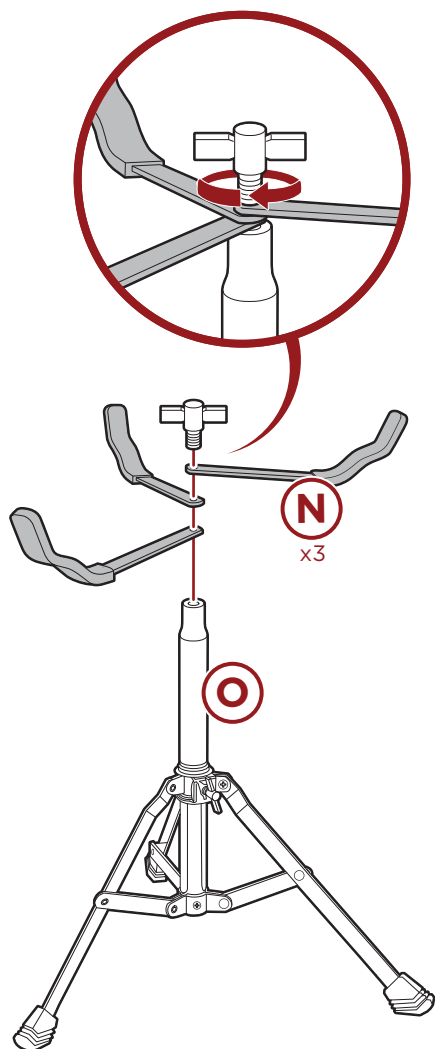
PRODUCT ASSEMBLY

11

Remove the wingnut on the **part O** snare base. Attach three **part N** snare arms by replacing the wingnut.

NOTE: Make sure the arms are evenly spread apart.

Place the **part M** snare.

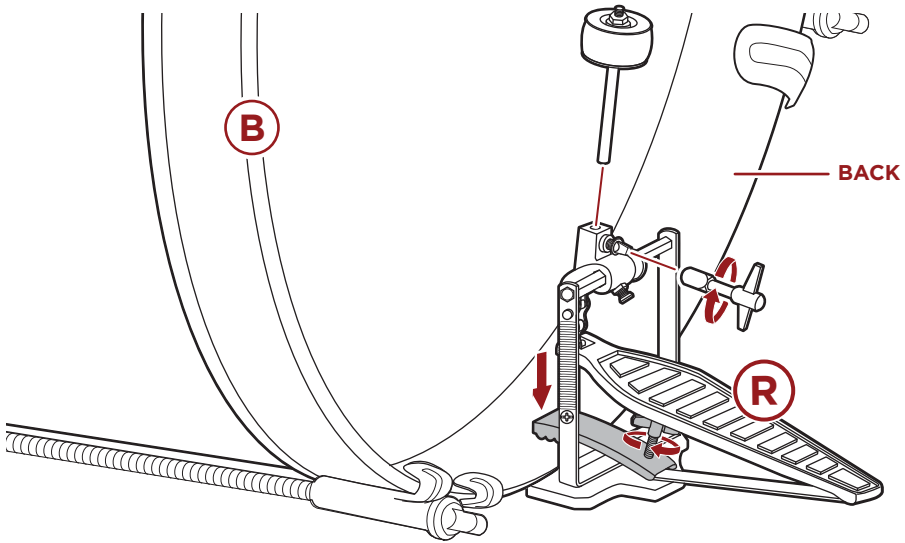


PRODUCT ASSEMBLY

12

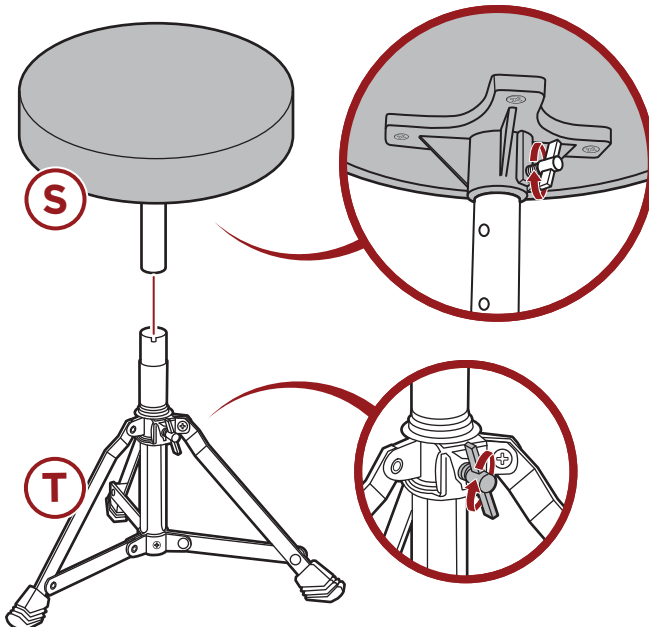
Assemble the **part R pedal**. Place the pedal under the rim of the bass drum.

Squeeze the clamp under the foot pedal, and place it over the rim, then tighten down the pedal with the attached t-bar.



13

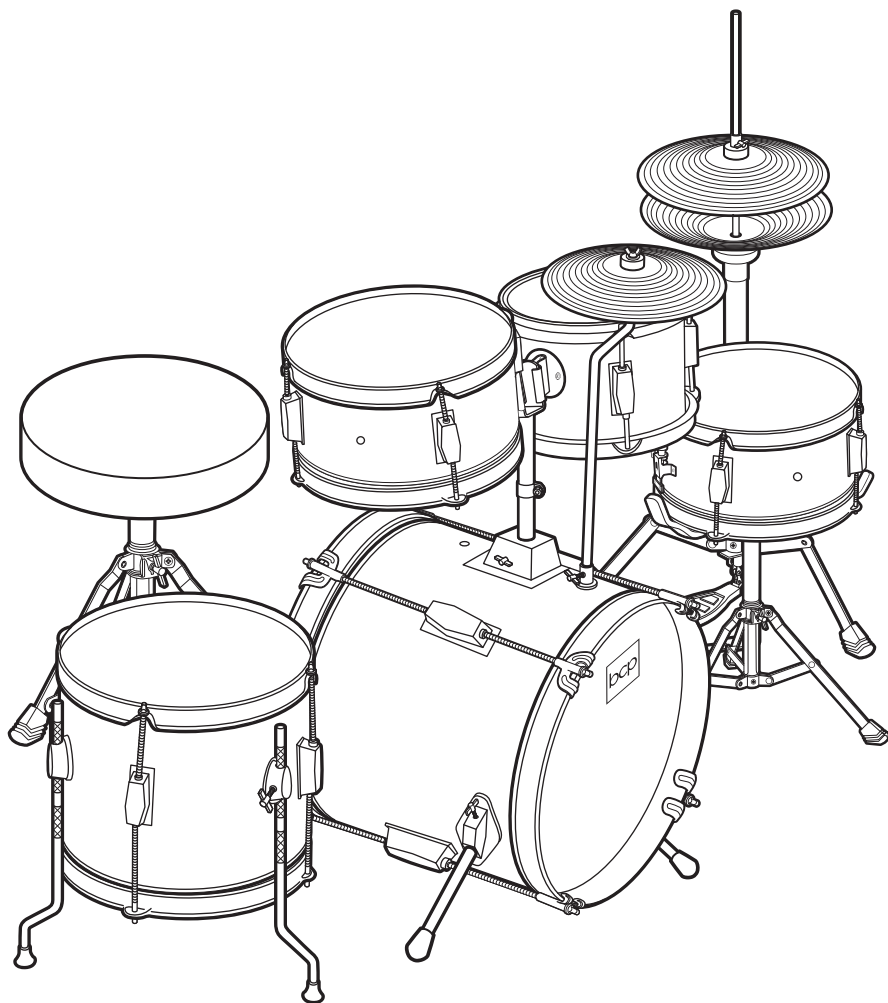
Place the **part S seat** on the **part T seat legs**. Tighten the wingnuts to secure the seat.



PRODUCT ASSEMBLY

14

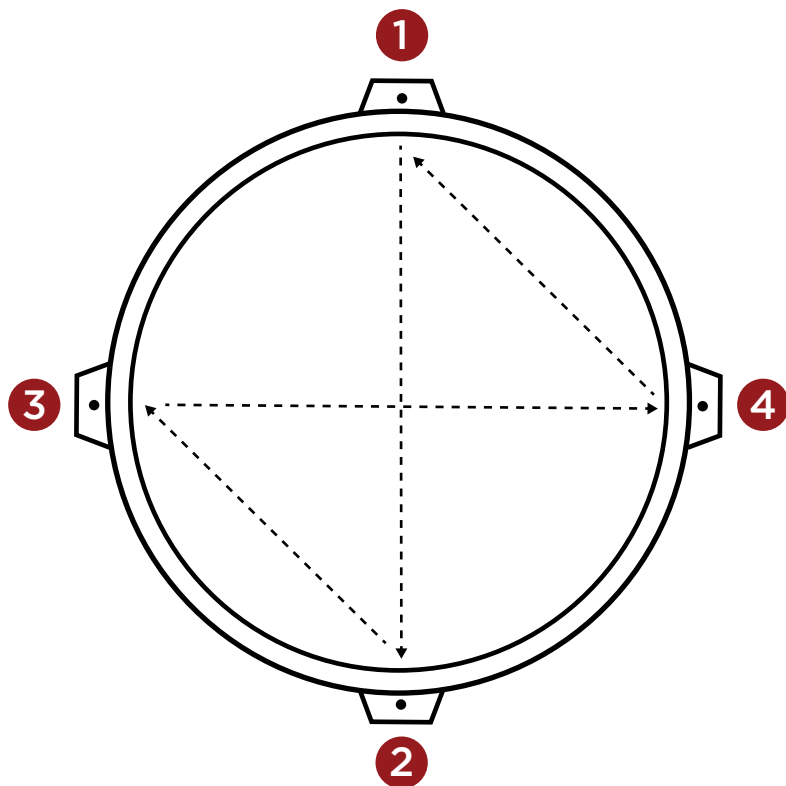
Arrange the drum set according to your preference.



TUNING THE DRUMS

The tension rods on a drum double as tuning keys. Use the drum key to tighten and loosen the tension rods until each one is tightened equally.

NOTE: Tighten one tension rod at a time, then tighten the rod diagonally across from it. This will maintain even tension on the drum skin and produce a fuller sound.



4-LUG DRUM TUNING

Earn points while you shop. Join today!

bestchoiceproducts
rewards

Join | Earn | Redeem

Give your friends 15% off their first order! For each successful referral you'll receive 100 points.

bestchoiceproducts.com



HELP CENTER



Question about your product? We're here to help. Visit us at:

help.bestchoiceproducts.com



Chat Support



Product Inquiry



Orders FAQ



Product Assembly



Returns & Refunds

PRODUCT WARRANTY INFORMATION

All items can be returned for any reason within 60 days of the receipt and will receive a full refund as long as the item is returned in its original product packaging and all accessories from its original shipment are included. All returned items will receive a full refund back to the original payment method. All returned items will not be charged a re-stocking fee.

All returned items require an RA (Return Authorization) number, which can only be provided by a Best Choice Products Customer Service Representative when the return request is submitted. Items received without an RA may not be accepted or may increase your return processing time. Once an item has been received by Best Choice Products, refunds or replacements will be processed within 5 business days.

All returns must be shipped back to the Best Choice Products Return Center at the customer's expense. If the reason for return is a result of an error by Best Choice Products then Best Choice Products will provide a pre-paid shipping label via email. Boxes for return shipping will not be provided by Best Choice Products, and is the customer's responsibility to either use the original shipping boxes or purchase new boxes.

Pictures may be required for some returns to ensure an item is not damaged prior to its return. Items returned are not considered undamaged until they are received by Best Choice Products and verified as such. All damages to items are the customer's responsibility until the item has been received by and acknowledged by Best Choice Products as undamaged.

© Best Choice Products, Inc. All rights reserved. Distributed by Best Choice Products, Inc. Newport Beach, CA 92660

WARNING

Manufacturer and seller expressly disclaim any and all liability for personal injury, property damage or loss, whether direct, indirect, or incidental, resulting from the incorrect attachment, improper use, inadequate maintenance, unapproved modification, or neglect of this product.