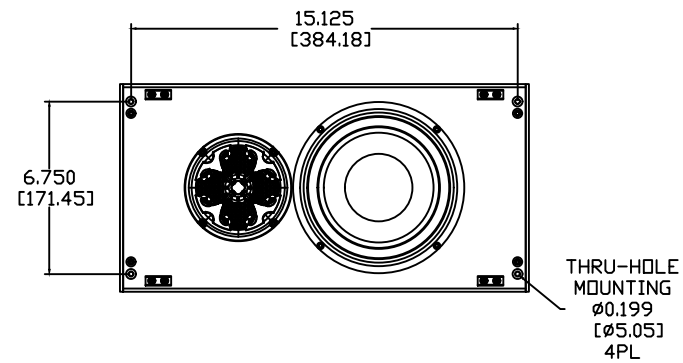
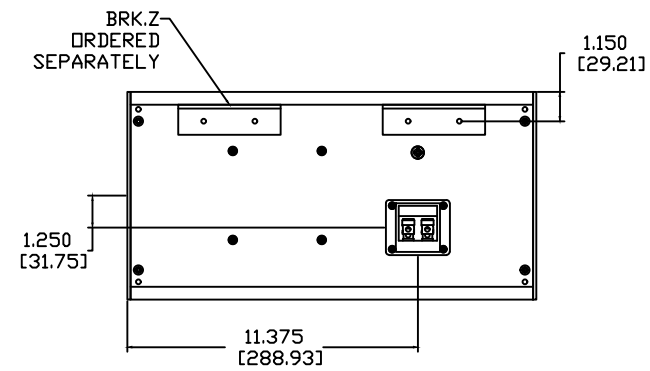
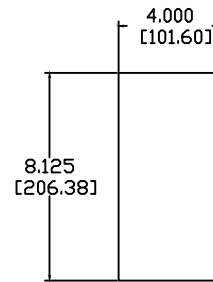
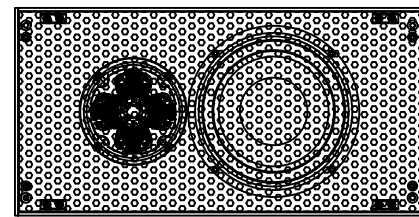
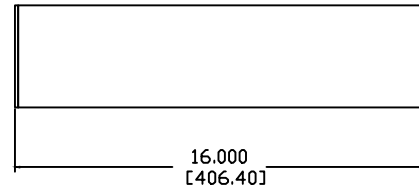
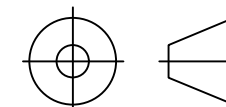


REVISIONS				
ECN	REV.	DESCRIPTION	DATE	APPROVED
	A	RELEASE FOR PRODUCTION	09-23-24	



NOTES:

- 1: MATERIAL - SPL6 EXTRUSION UNLESS OTHERWISE SPECIFIED
- 2: FINISH - TBD
- 3: CAN BE WIRED AS LOW-Z OR WITH 30, 50, OR 100 WATT 70V TRANSFORMER (SPECIFY WHEN ORDERING)



"THIRD ANGLE" PROJECTION

PROPRIETARY INFORMATION  
 THE DESIGNS, INFORMATION, AND DATA CONTAINED HEREIN ARE PROPRIETARY AND ARE SUBMITTED IN CONFIDENCE, AND SHALL NOT BE DISCLOSED, USED OR DUPLICATED IN WHOLE OR IN PART, FOR ANY PURPOSES WHATSOEVER, WITHOUT THE PRIOR WRITTEN PERMISSION OF JAMES LOUDSPEAKER LLC, 2185 PARK PL, MINDEN, NV 89423. THIS LEGEND SHALL BE MARKED ON ANY REPRODUCTIONS HEREOF IN WHOLE OR IN PART. RECEIPT OF THIS DOCUMENT SHALL BE DEEMED TO BE AN ACCEPTANCE OF THE CONDITIONS SPECIFIED HEREIN.

JAMES LOUDSPEAKER

OW62QT

EXTERNAL DIMENSIONS

P/N: OW62QT

DWR #: 231222-S101

REVISED BY:

DRAWN BY: S. LOESCH

DATE: 12-22-23

APPROVED:

DRAFTING APPROVED:

SCALE:

TOLERANCES: ANG: ± = .5° FRACT. ± = 1/32  
 DECIMALS: .XX ± = .01 .XXX ± = .005

REVISION: A