



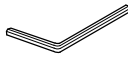
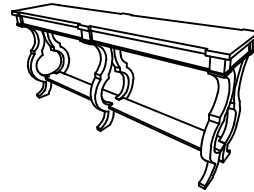






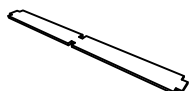
HEKMAN®

A HOWARD MILLER COMPANY

24608 SOFA TABLE

HARDWARE LIST				
A	B	C	D	E
ALLEN BOLT M6 x 70 (8 Pcs)	FLAT W. M6 (8 Pcs)	LOCK W. M8 (10 Pcs)	SCREW Ø6 x 50 ^{mm} (6 Pcs)	ALLEN KEY L4 (FOR BOLT M6) 1 Pc
				

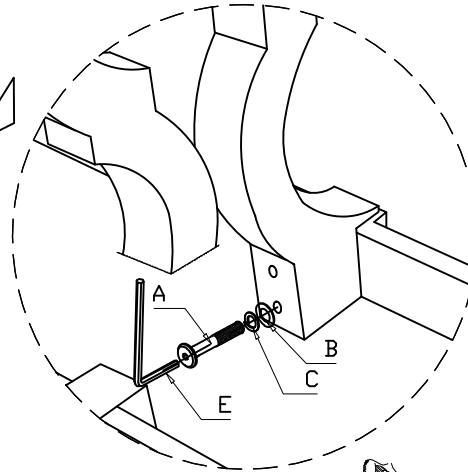
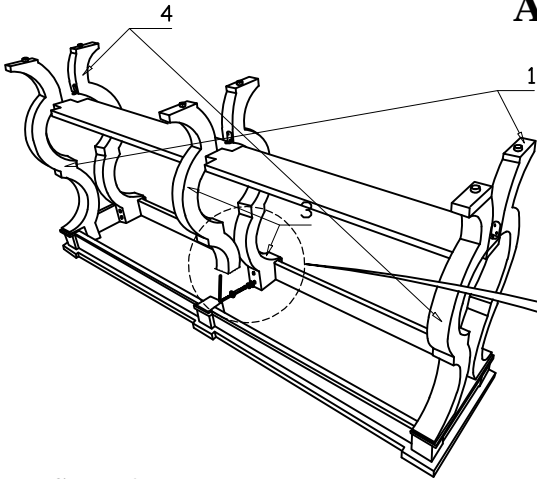


PART INSIDE				
1	2	3	4	5
TOP ASSEMBLY (1 Pc)	LEFT LEGS (2 Pcs)	MID LEGS (2 Pcs)	RIGHT LEGS (2 Pcs)	SHELF (1 Pc)
				

Assembly Instruction

STEP 1.

LAY TOP ASSEMBLY UPSIDE DOWN ON A SOFT, CLEAN AND FLAT SURFACE. ALIGN BOLTS IN APRON BLOCKS WITH HOLE IN LEGS. CONNECT USING FLAT WASHER (B), LOCK WASHER (C), ALLEN BOLT (A) AND ALLEN KEY (E) PROVIDED.



STEP 2

ALIGN AND FASTEN SHELF TO LEGS USING SCREW (D) AND TIGHTEN WITH SCREW DRIVER (NOT INCLUDED).

