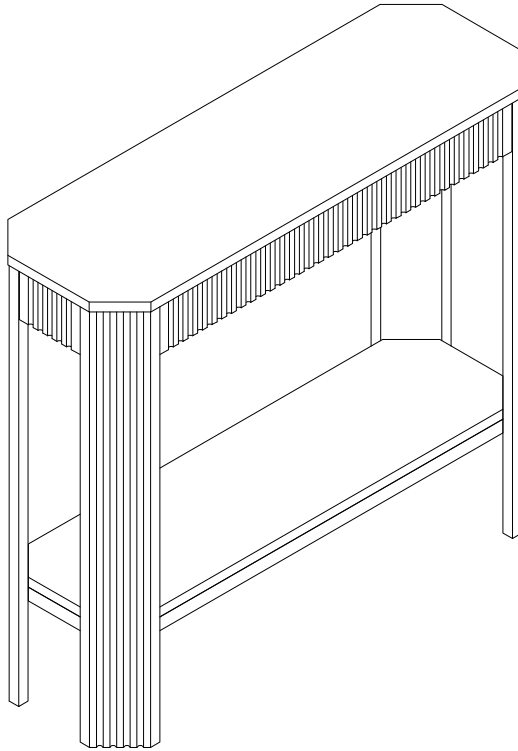


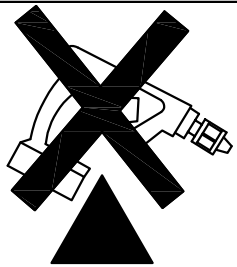
ASSEMBLY INSTRUCTION

Console Table 910mm

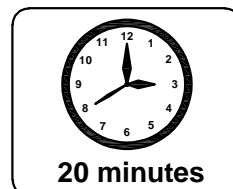
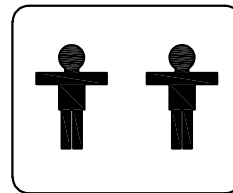


REPLACEMENT PARTS

*Please do not contact the company purchased from as we can help you faster.
Order replacement parts and hardware at " www.boltonfurniture.com "*

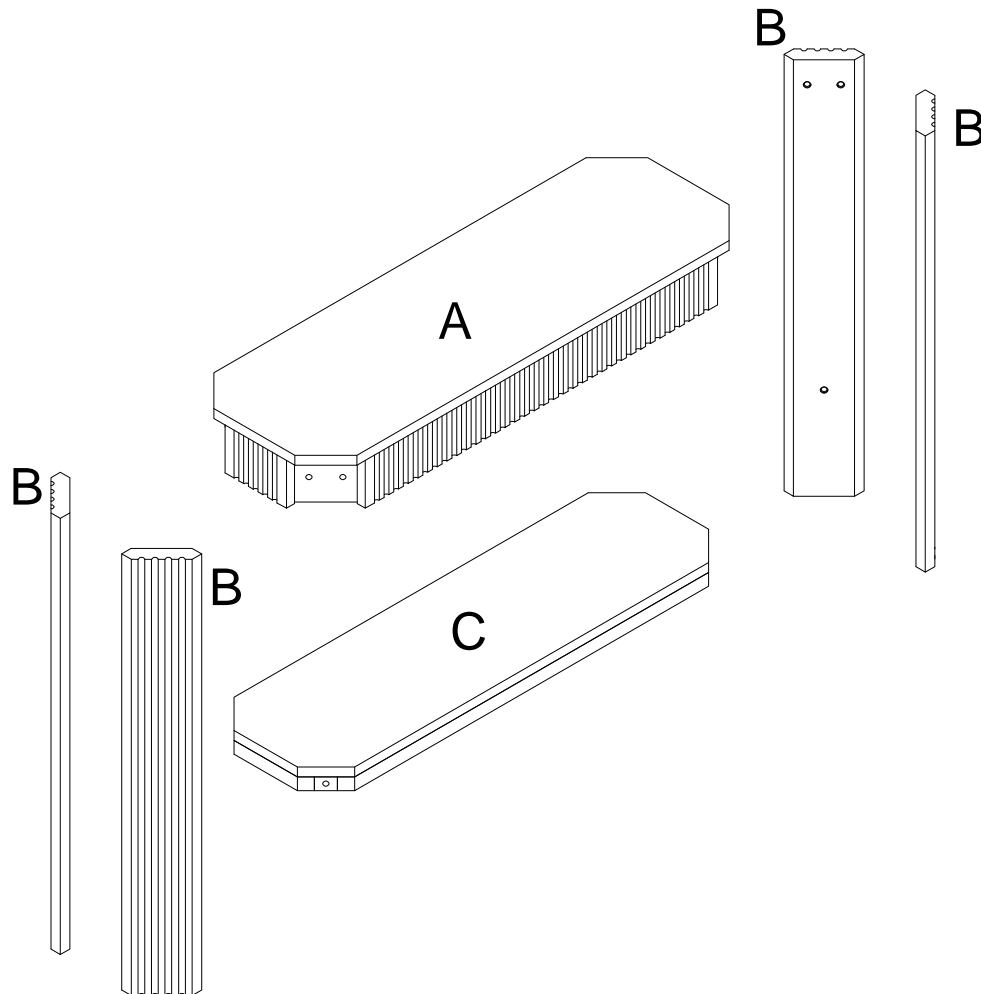


- . Use of power tool to assemble this product will invalidate any claim and damage this product making it unsafe !!!
- . Please assemble on a clean soft surface to avoid damage.

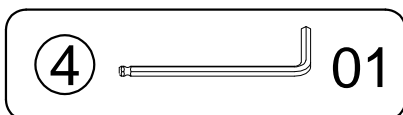
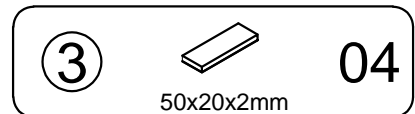
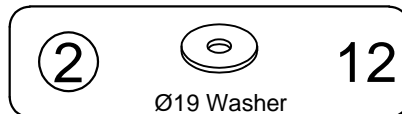
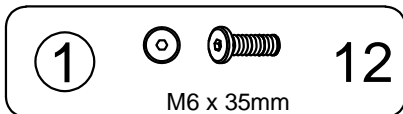


www.boltonfurniture.com

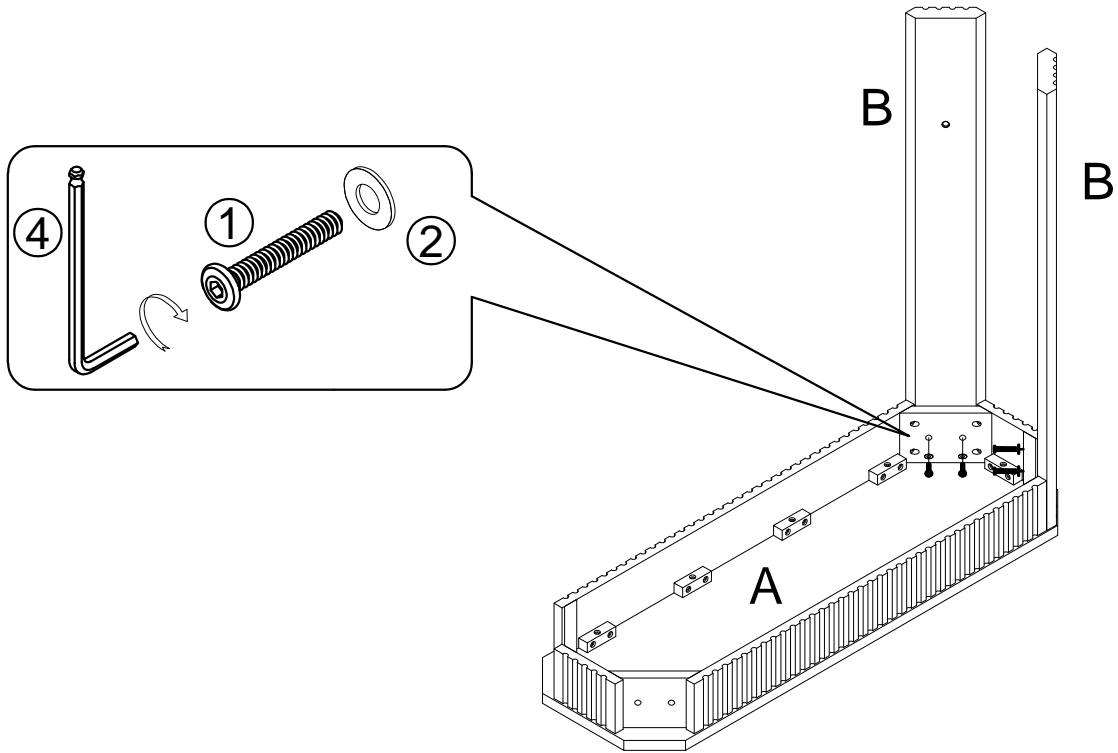
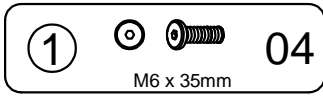
Part list - Console Table 910mm



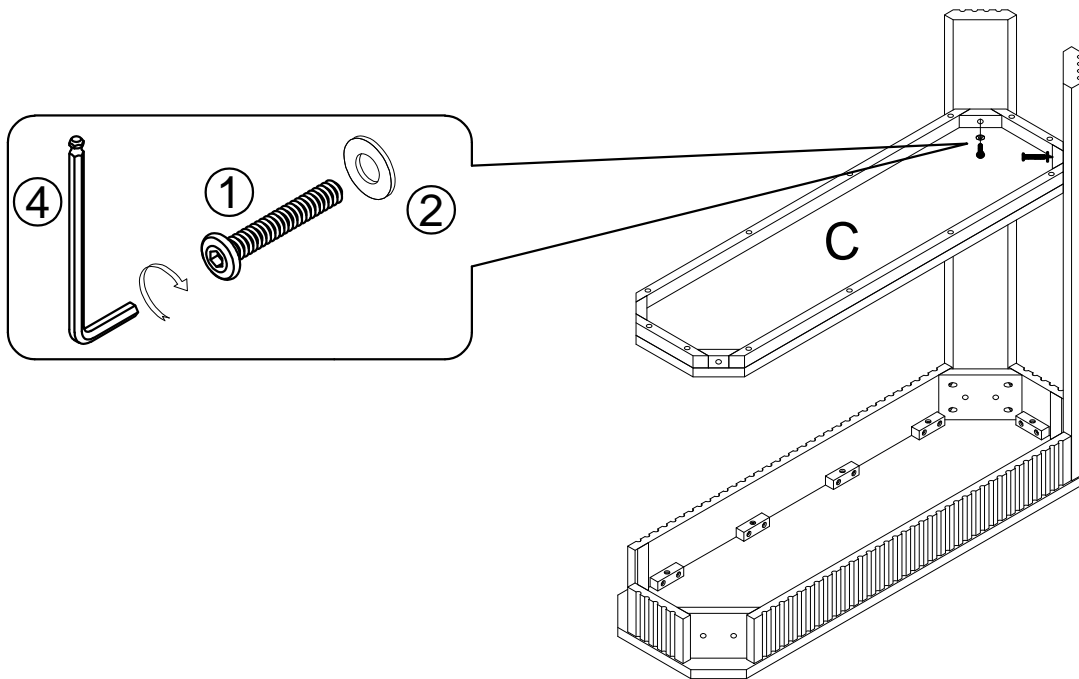
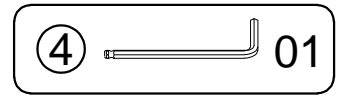
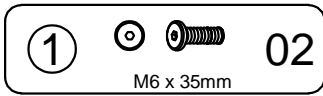
Identifying the hardware-Identify the hardware using the illustrations below



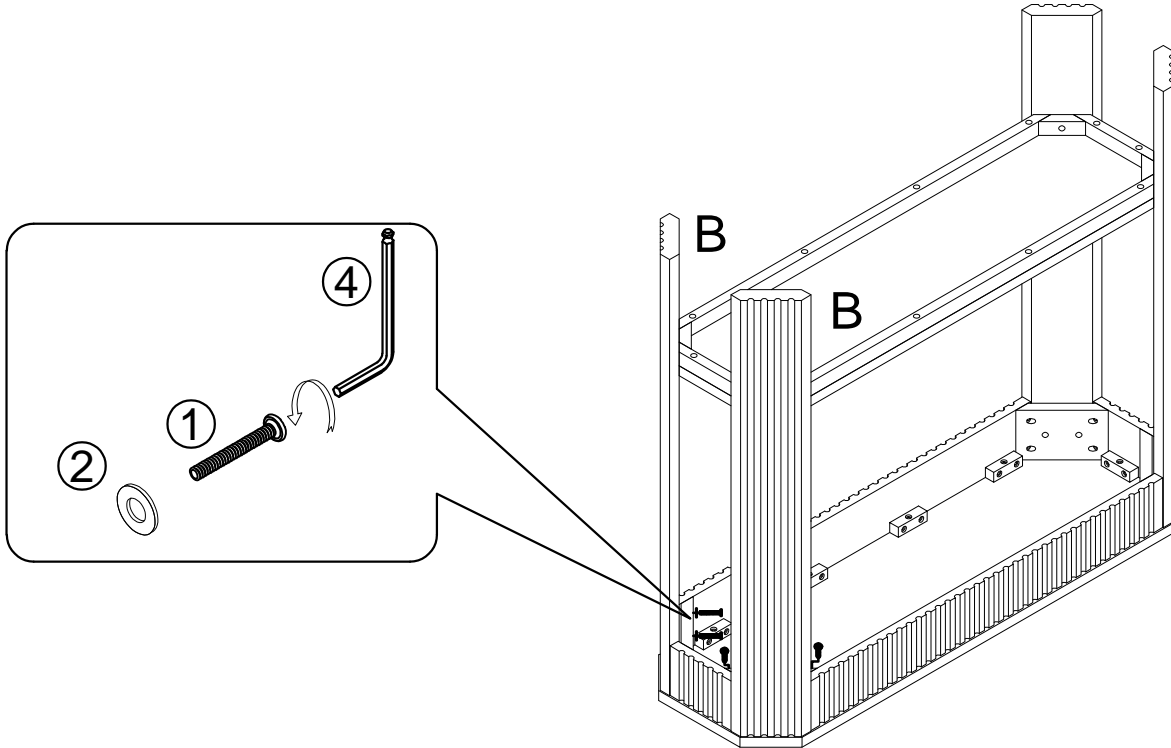
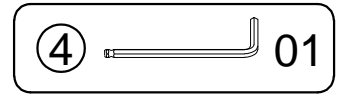
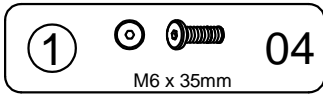
STEP 1



STEP 2



STEP 3



STEP 4

