

Features

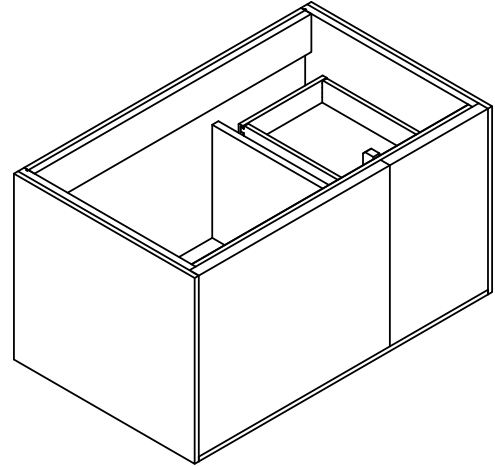
- Catalyzed conversion varnish provides a durable moisture-resistant finish
- One door and one drawer on right
- Frameless construction with full-overlay doors and drawer
- Three-way adjustable slow-close door hinges for easy cabinet access
- Full-extension 18" (457 mm) depth drawer with soft-close undermount slides for smooth opening
- Solid wood drawer with dovetail joint construction
- Wall-hung design offers a clean, streamlined look
- Customize your storage with optional accessories such as shelves, trays, drawer dividers, and medicine cabinets (sold separately)

Material

- Solid wood and veneers
- Wood is a living material, and its beauty is enhanced by natural variations in grain, color, and pattern. No two pieces of wood are exactly the same, and the color will change with age, temperature, and exposure to light
- The nature of wood grain can cause variations in stain depth. Our expert craftspeople hand-apply the stain to blend these variations

Required Products/Accessories

- K-20000 20-1/2" rectangular undermount bathroom sink
- K-28250 Silestone® 37" quartz vanity top with rectangular cutout
- K-28263 Silestone® quartz 37" backsplash
- K-99565 Metal Vanity Legs (Qty 2)
- K-99688 3" cabinet pull



Codes/Standards



EPA TSCA Title VI/CARB P2

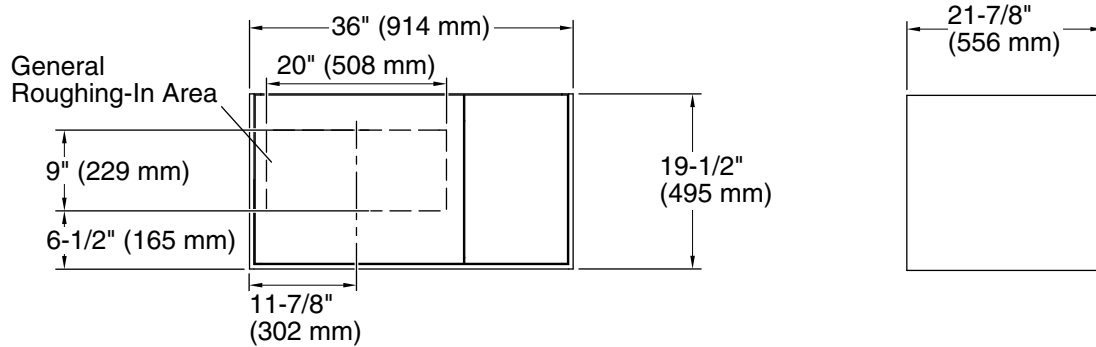
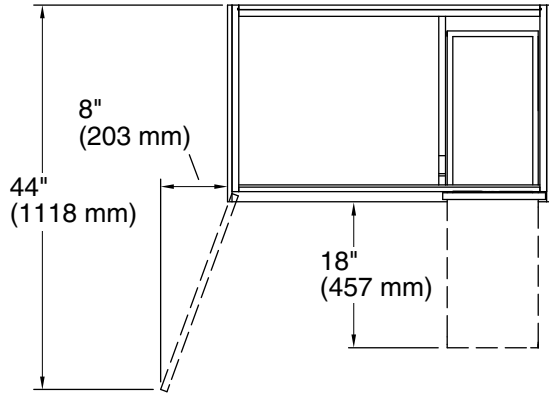
KOHLER® One-Year Limited Warranty

See website for detailed warranty information.

Available Colors/Finishes

Color tiles intended for reference only.

Color	Code	Description
	1WA	Linen White
	1WM	Walnut Flax



Technical Information

All product dimensions are nominal.

Vanity type: Wall-mount

Lighting included: No

Notes

Install this product according to the installation guide.

Decorative cabinet hardware is not supplied. Refer to the KOHLER bath accessories line for recommended cabinet hardware to complement your vanity.

Select the type of fastener based upon the wall material. Two 500 lb (227 kg) minimum load bearing fasteners are recommended.