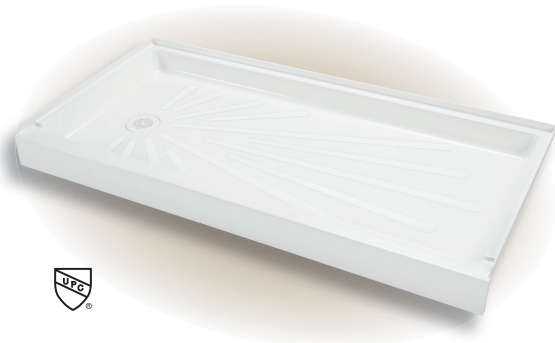


# DURABASE® SHOWER FLOOR REPLACES 30" x 60" BATHTUB



Replace a standard 5' bathtub with an easy-access shower floor—or install new. The DURABASE® will let you achieve either...with no need for major re-plumbing or changing the room layout.



DURABASE® provides approximately 35% more usable interior floor space than a standard tub and eliminates the difficulties of stepping up and over a standard 15" high tub apron. It's excellent for seniors living independently or a beautiful way to create a luxury walk-in shower.

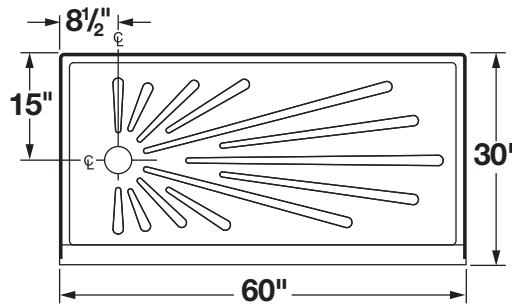
## Features

- Fits the same footprint as a standard 30" x 60" bathtub
- High quality molded fiberglass construction
- Drain location offset 8 1/2" x 15"; right and left-hand models
- Accommodates standard 2" drain or 60.300 Drain Kit
- Available in white and bone matched finishes with Mustee wall systems, see pages 20, & 21; as well as tile or like finish

## Code Accepted

Mustee Easy Access Showers meet or exceed performance requirements as listed:

- International Association of Plumbing and Mechanical Officials (IAPMO®) 
- American Society of Testing and Materials (ASTM) – E-84 
- American National Standards Institute (ANSI) Specification Z 124-2022



Model	Color	Drain
3060R	White	Right Hand
3060RBN	Bone	Right Hand
3060L	White	Left Hand
3060LBN	Bone	Left Hand

**General:** Furnish and install as shown on plans, ShowerTub™ Model: \_\_\_\_\_ as manufactured by E. L. Mustee & Sons, Inc. Floor to be one-piece, molded fiberglass, using matched metal molds under extreme heat and pressure. Surface to be slip-resistant design. Size: 30" x 60". Flood level rim will not be less than 3" high. Tiling flange will extend not less than 1" higher than the threshold which is an integral molded water barrier. Threshold will be 4 1/2" high. Drain hole offset 8 1/2" by 15" to accept drain kit for 2" PVC, ABS or iron DWV pipe, available left or right hand. Color: \_\_\_\_\_ (White, Bone).

## 3060, 360 & 3865 Shower Floor Drains

**Drain Assembly** – for 2" DWV Pipe

Model	Description
42.317A	Drain assembly

**Drain Seal**

42.320	Optional drain seal for 2" copper (DWV)
42.321	Optional drain seal for 2" soil pipe (SW)

**Drain Assembly** – use with 3060R/L and 360R/L to replace tub waste and connect to existing pipe.

Model	Color
60.300A	White
60.300ABN	Bone

