

Location:



SLS3512
Single Handle Lavatory Faucet
Specification Submittal


SLS3512



Model Numbers

- SLS3512** Single Handle Lavatory Faucet with push-pop metal drain assembly

Options/ Modifications

- 0.5**  **0.5 gpm (1.9 L/min) flow restrictor**
- BBZ** **Brushed Bronze finish**
- MB** **Matte Black finish**
- STN** **Satin Nickel finish**

Note: Append appropriate -suffix to model number.

Compliance

- ASME A112.18.1/CSA B125.1
- NSF/ANSI/CAN 61: Q<1, NSF/ANSI 372
- WaterSense 1.0gpm



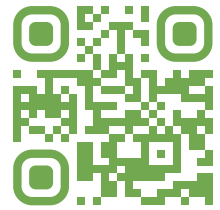
Feature Highlights

- Single hole mount configuration
- Quarter turn ceramic cartridge
- 23" braided hose water supply connections
- 7-1/8" height
- Push-pop metal drain assembly
- Standard 1.0gpm (3.8 L/min) flow rate
- Faucet shall be metal construction, plated in standard polished chrome finish

Warranty

Limited Lifetime - to the original end purchaser in consumer/residential installations.

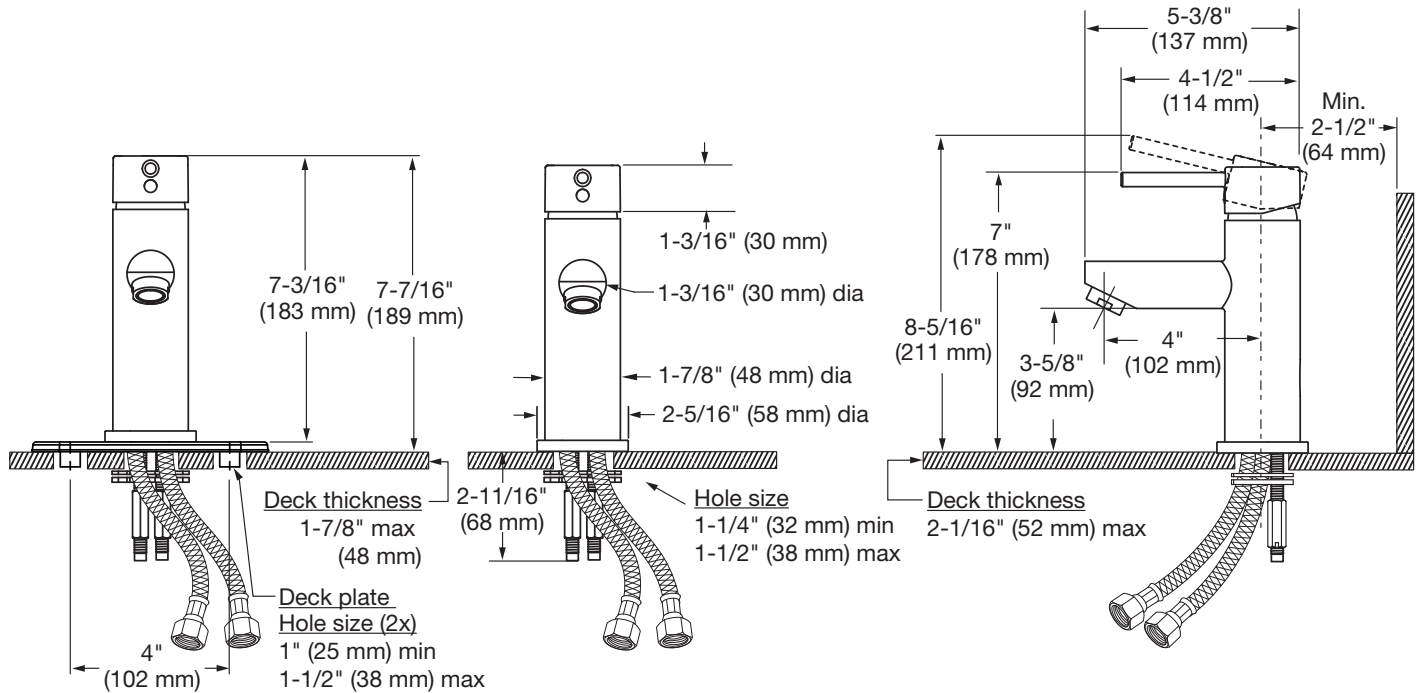
10 Years - for commercial/industrial installations. Refer to www.symmons.com/warranty for complete warranty information.



Architectural/ Engineering Specification

Symmons Dia Single Handle Lavatory Faucet _____ Includes Single hole mount configuration, Quarter turn ceramic cartridge, 23" braided hose water supply connections, 7-1/8" height, Push-pop metal drain assembly, Standard 1.0gpm (3.8 L/min) flow rate, Faucet shall be metal construction, plated in standard polished chrome finish. 10 Year Commercial Warranty. ASME A112.18.1/CSA B125.1, NSF/ANSI/CAN 61: Q<1, NSF/ANSI 372, WaterSense 1.0gpm compliant. Available options: "0.5 - 0.5 gpm (1.9 L/min) flow restrictor", "BBZ - Brushed Bronze finish", "MB - Matte Black finish", "STN - Satin Nickel finish".

Dimensions



Note: Dimensions subject to change without notice.

