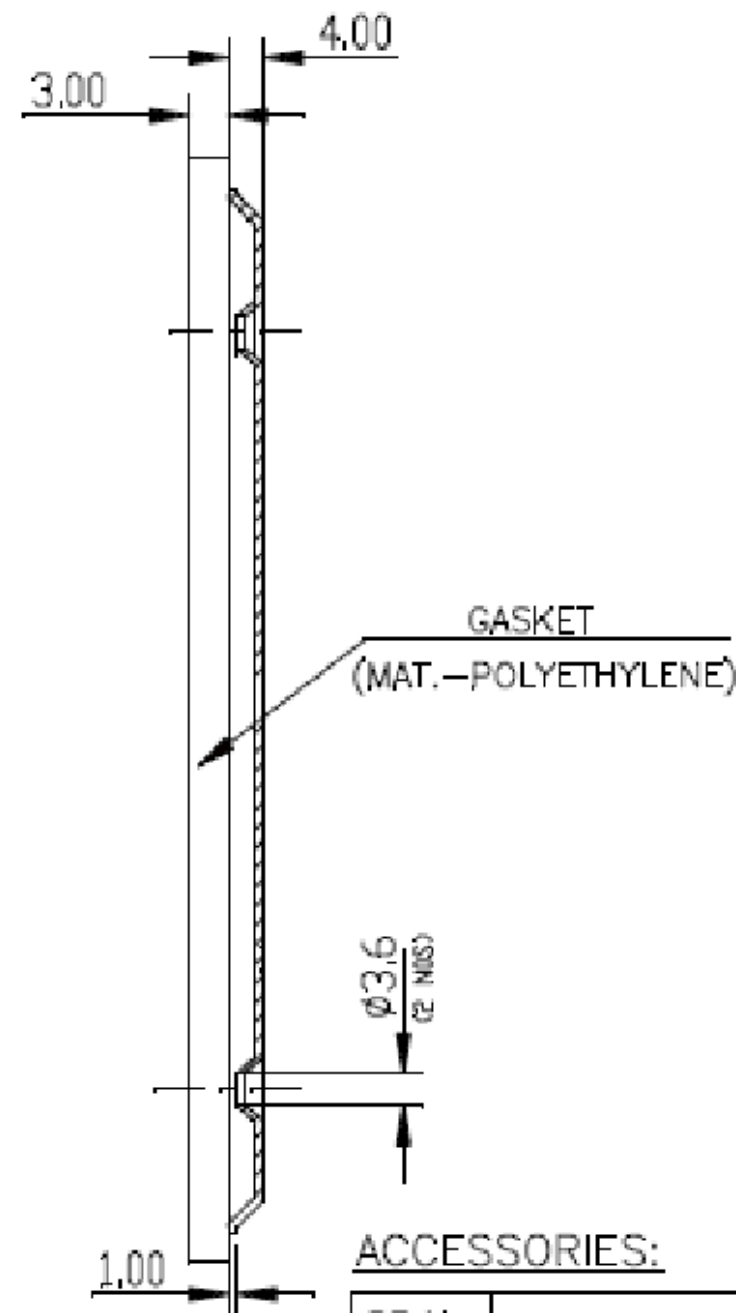
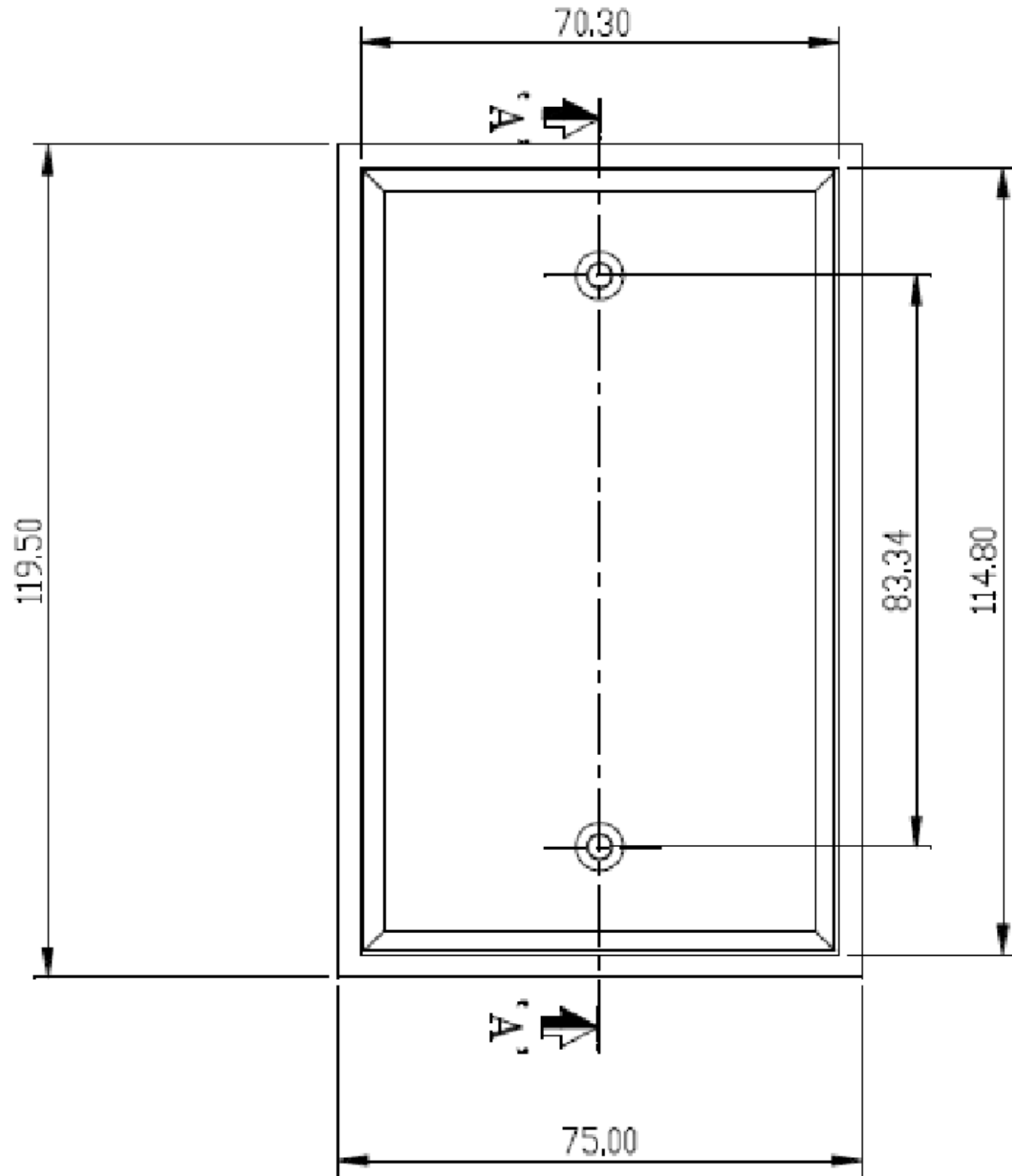


ZONE	NO.	DESCRIPTION	DATE	APPRD.	LTR. NO.
	1	SUBMIT FOR RELEASE	5/7/2020	PW	

SINGLE GANG BLANK WP COVER

TP7294	BRONZE
TP7292	GREY
TP7293	WHITE



ACCESSORIES:

SR.No.	DESCRIPTION	QTY
1	SCREW (NO. 06 X 0.50")	2

NOTES:

- CERTIFICATION/LISTING:
- ENVIRONMENTAL RATING:
-WEATHERPROOF
-WET LOCATION

<small>THIS IS PROPERTY OF EATON AND CONTAINS CONFIDENTIAL AND TRADE SECRET INFORMATION. POSSESSION DOES NOT CONVEY ANY RIGHTS TO LOAN, SELL OR DISCLOSE SAID INFORMATION. REPRODUCTION OR USE FOR ANY PURPOSE OTHER THAN WHICH IT WAS SUPPLIED MAY NOT BE MADE WITHOUT EXPRESS WRITTEN PERMISSION OF EATON. THIS DRAWING IS ON LOAN AND IS TO BE RETURNED UPON REQUEST.</small>	TOLERANCES UNLESS OTHERWISE SPECIFIED		UNLESS OTHERWISE SPECIFIED, ALL PRIMARY DIMENSIONS ARE IN INCHES. DIMENSIONS IN [] ARE IN MILLIMETERS.																			
	<table border="1"> <tr> <th></th> <th>in.</th> <th>mm</th> </tr> <tr> <td>.X</td> <td>± .1</td> <td>± .3</td> </tr> <tr> <td>.XX</td> <td>± .01</td> <td>± .13</td> </tr> <tr> <td>.XXX</td> <td>± .005</td> <td>± .000</td> </tr> <tr> <td>ANGLES</td> <td>± 1.5°</td> <td>± 1.5°</td> </tr> </table>			in.		mm	.X	± .1	± .3	.XX	± .01	± .13	.XXX	± .005	± .000	ANGLES	± 1.5°	± 1.5°	ORIGINAL DATE	05/4/2020	TITLE	SINGLE GANG BLANK WP COV
		in.	mm																			
	.X	± .1	± .3																			
.XX	± .01	± .13																				
.XXX	± .005	± .000																				
ANGLES	± 1.5°	± 1.5°																				
DIM AND TOL IN ACCORDANCE WITH ASME Y14.5 2009.		REDRAWN DATE		DRAWN BY	TAK																	
THIRD ANGLE PROJECTION		CHECKED BY		APPROVED BY																		
MATERIAL:		APPROVED BY		APPROVED BY																		
FINISH:		FIRST MADE FOR WEATHERPROOF		SIZE	C																	
NEXT ASSY.	USED ON			CODE IDENT. NO.	TP7																	
APPLICATION				WT.																		
				SCALE	1:1																	
				SHEET	1 OF 1																	
				REV.	1																	

SW_REV 11/2015

CCHSY-SW-Template-C