

Installation Instructions

Freestanding Bath

Record your model number:
Noter le numéro de modèle:
Anoté su número de modelo: _____

Français, page 8
Español, página 14

KOHLER®

Thank You for Choosing KOHLER

Need help? Contact our Customer Care Center.

USA/Canada: 1-800-4KOHLER (1-800-456-4537)

Mexico: 001-800-456-4537

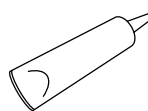
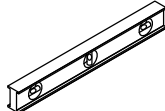
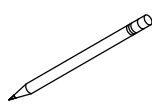
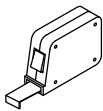
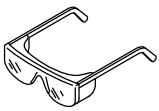
For service parts information, visit kohler.com/serviceparts.

For care and cleaning information, visit kohler.com/clean.

Warranty

This product is covered under the KOHLER® Plastic Baths and Receptors Lifetime Limited Warranty, found at kohler.com/warranty. For a hardcopy of warranty terms, contact the Customer Care Center.

Tools and Materials




100% Silicone Sealant Sealant Tape

Plus:

- Drop Cloth
- Lifting Straps
- 1-1/2" PVC Pipe [Approximately 6" (152 mm) Long]
- 1-1/2" 11-1/2 NPSM Adapter
- PVC Glue

Before You Begin

 **CAUTION: Risk of personal injury.** This bath is heavy. Obtain sufficient help and use lifting straps to lift or move the bath.

IMPORTANT! To ensure a successful installation, install the bath on a level floor.

IMPORTANT! Drain parts are included in a small box within the carton. Locate and retain the small box before discarding the carton and packing material.

Follow all local plumbing and building codes.

Unpack and inspect the product for damage. Return the product to the carton until installation.

To simplify future maintenance, provide access to plumbing connections.

This bath will not easily fit through doorways. Carefully plan how to move the bath into the installation area.

Install the bath to an adequately supported, level finished floor.

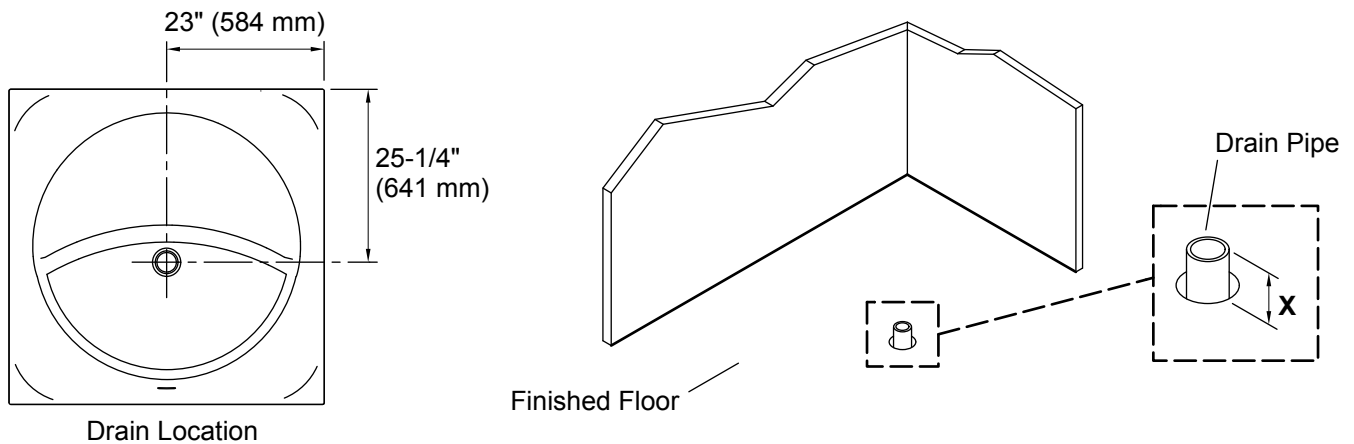
This bath is designed for freestanding installation only.

This bath features an integral overflow.

Install a floor- or ceiling-mount bath filler with this freestanding bath.

This bath conforms to CSA B45.5/IAPMO Z124.

1. Prepare the Site



NOTICE: Measure your product for site preparation. Note the **model number** on the packaging label, then visit the product page at kohler.com for more information.

NOTICE: Provide adequate floor support.

- Determine the location of the bath.
- Make sure the subfloor is level and offers adequate support for the bath.
- Verify that the finished floor is level before proceeding.

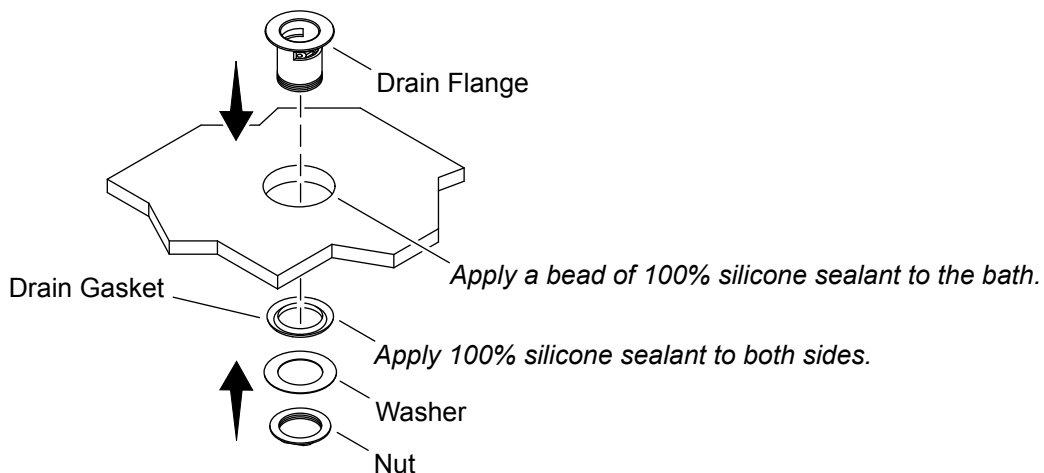
Brass Installation

- Insert the drain body into the bath.
- Measure the distance "X" between the bottom of the drain body and the floor.
- Cut the pipe to extend "X" height above the floor.

PVC Installation

- Insert the drain body into the bath.
- Thread on a 1-1/2" 11-1/2 NPSM PVC adapter.
- Measure the distance "X" between the bottom of the adapter and the floor.
- Cut the pipe to extend "X" height above the floor.

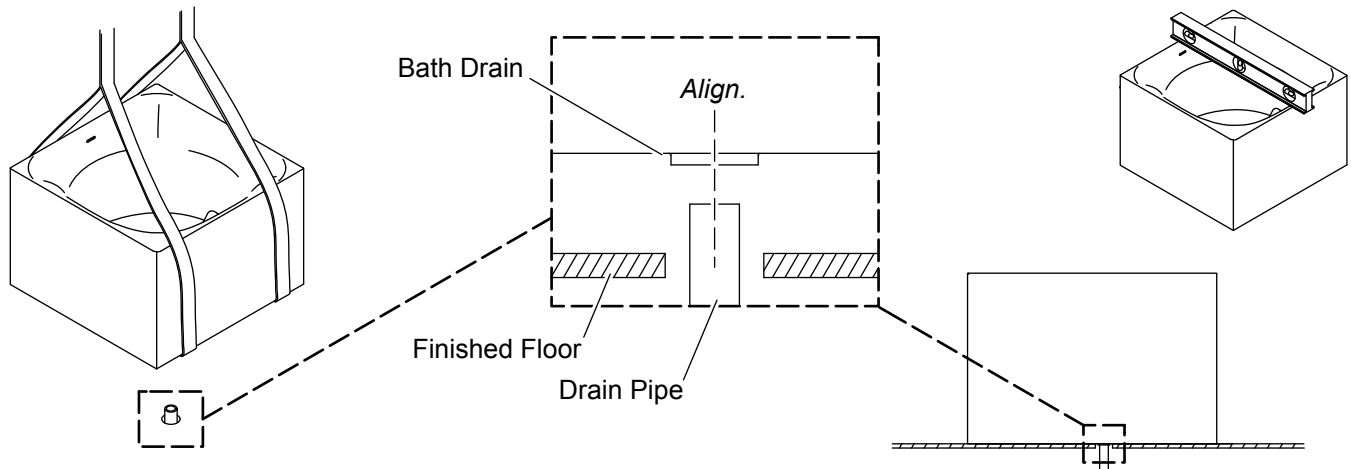
2. Install the Drain



CAUTION: Risk of personal injury. This bath is heavy. Obtain sufficient help and use lifting straps to lift or move the bath.

- Place a drop cloth on the floor.
- With assistance, use lifting straps to carefully place the bath on its side.
- Apply a bead of 100% silicone sealant between the drain flange and the bath.
- Apply 100% silicone sealant to both sides of the drain gasket.
- Apply sealant tape to the drain flange threads.
- Install the drain flange to the bath.
- Install the drain gasket and washer. Secure the drain flange with the nut.

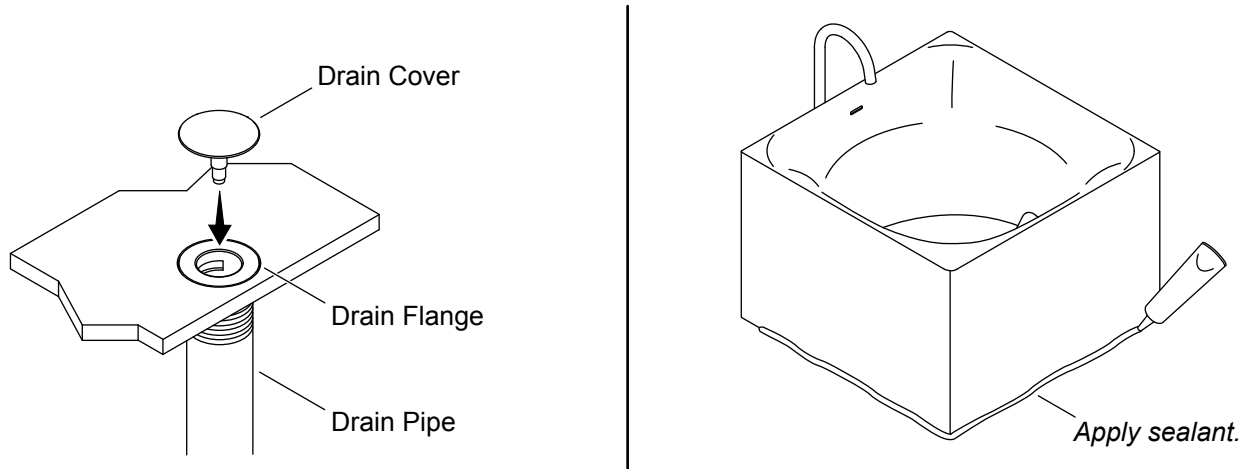
3. Install the Bath



⚠ CAUTION: Risk of personal injury. This bath is heavy. Obtain sufficient help and use lifting straps to lift or move the bath.

- With help, use lifting straps to carefully lift the bath off the floor.
- Carefully set the bath on the desired location.
- Adjust the bath position as needed to ensure that the drain pipe is centered in the bath drain hole.
- Verify that the bath is level. Loosen the nuts to adjust the bath feet, as needed.

4. Complete the Installation



⚠ CAUTION: Risk of property damage. Make sure that a watertight seal exists on all drain connections.

NOTE: The drain cover is included in a small box located within the carton.

NOTE: To ensure proper drain cover operation, the gasket must sit below the drain body slots.

⚠ CAUTION: Risk of personal injury. The edges of drain flange openings may be sharp.

NOTE: Make sure there is no interference with the drain flange openings.

- For Brass Installation:** Apply sealant tape between the drain flange and the drain pipe to create a watertight seal.
- For PVC Installation:** Apply 100% silicone sealant between the drain flange and the 1-1/2" 11-1/2 NPSM adapter to create a watertight seal.
- For PVC Installation:** Apply PVC glue between the 1-1/2" 11-1/2 NPSM adapter and PVC pipe to create a watertight seal.
- Install the drain flange onto the drain pipe.
- Insert the drain cover into the drain flange.
- Press the drain cover several times to make sure the drain opens and closes properly.
- If desired, apply a thin, continuous bead of clear or color-matched silicone sealant to the seam between the bath and the finished floor.
- Install the bath filler following the faucet manufacturer's instructions.
- Close the bath drain.
- Fill the bath to the overflow and check the drain connections for leaks.