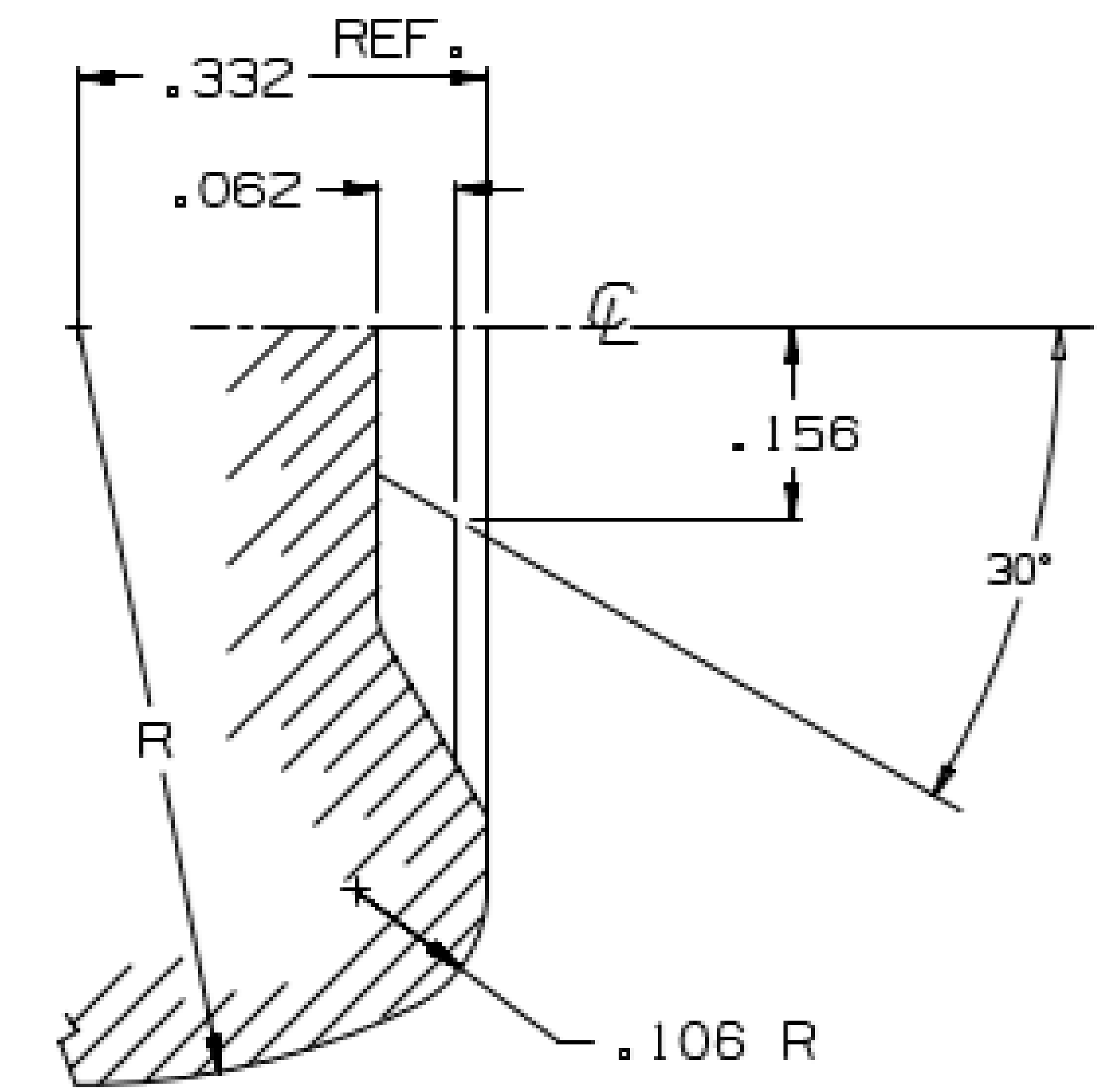
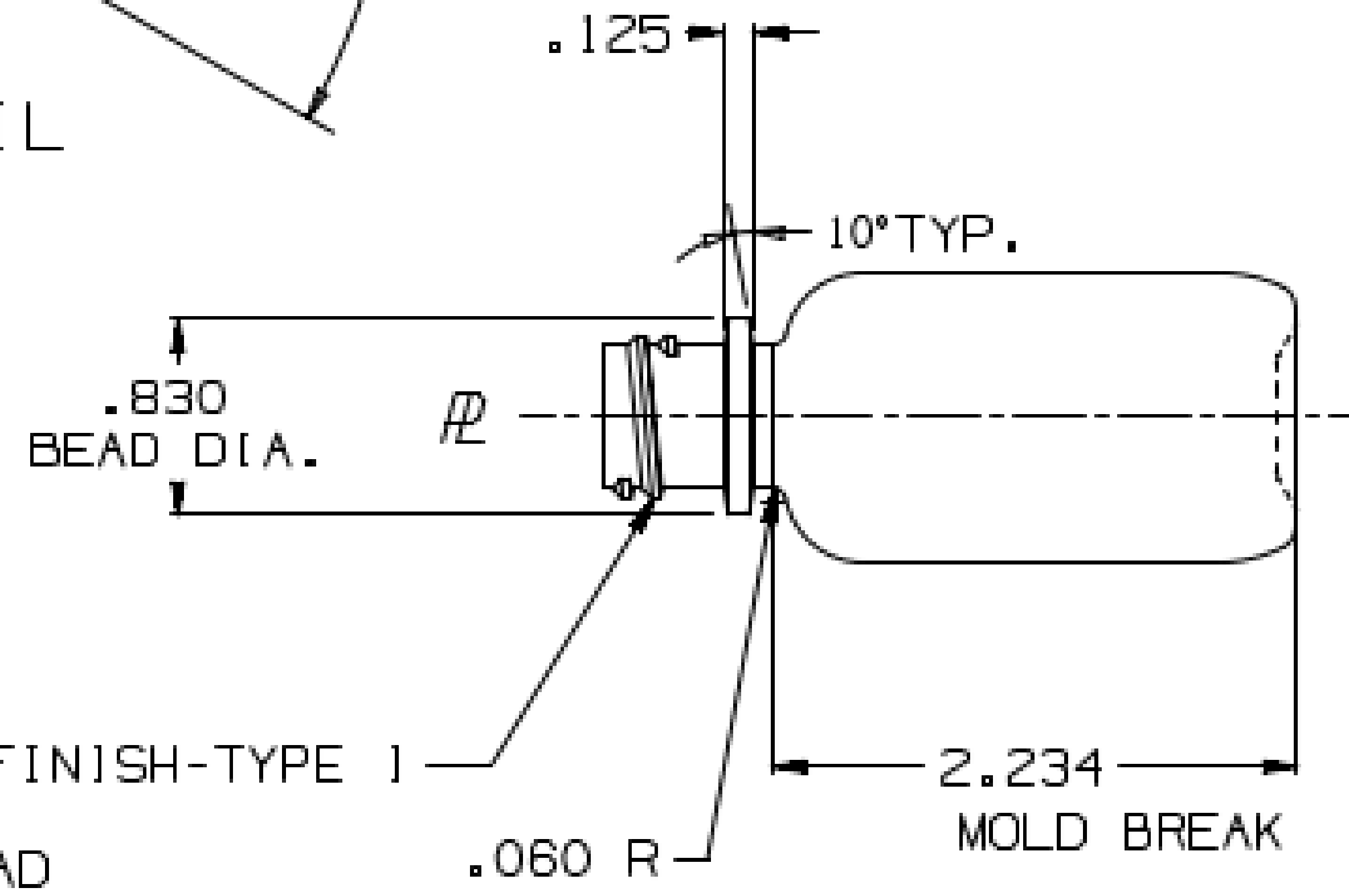


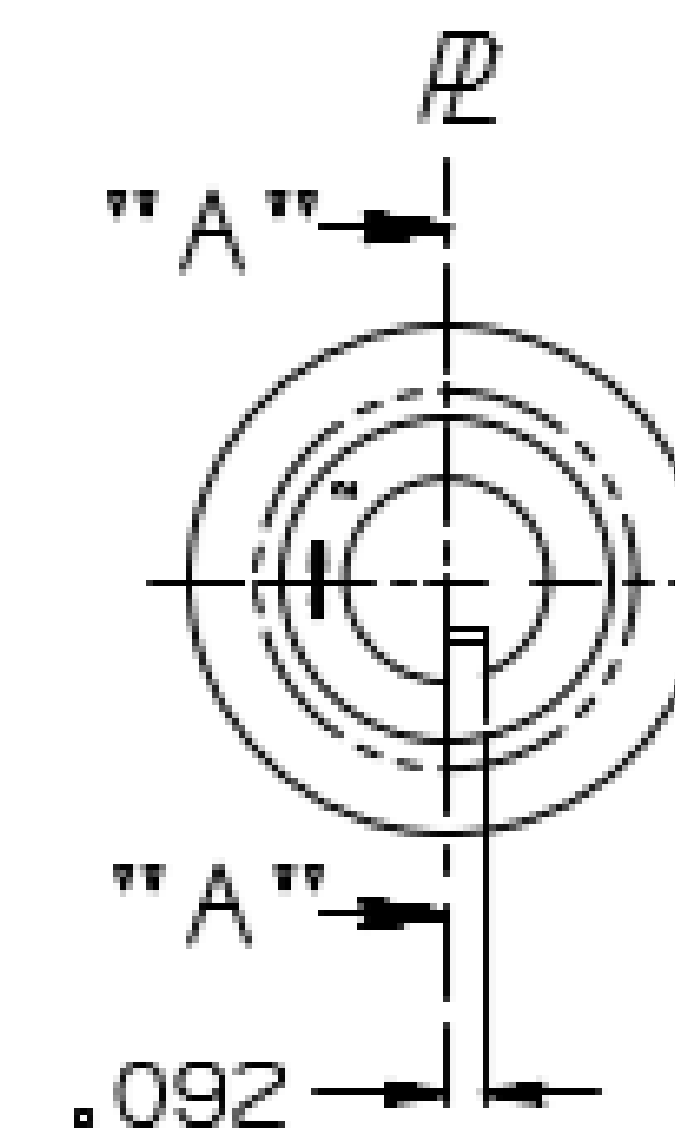
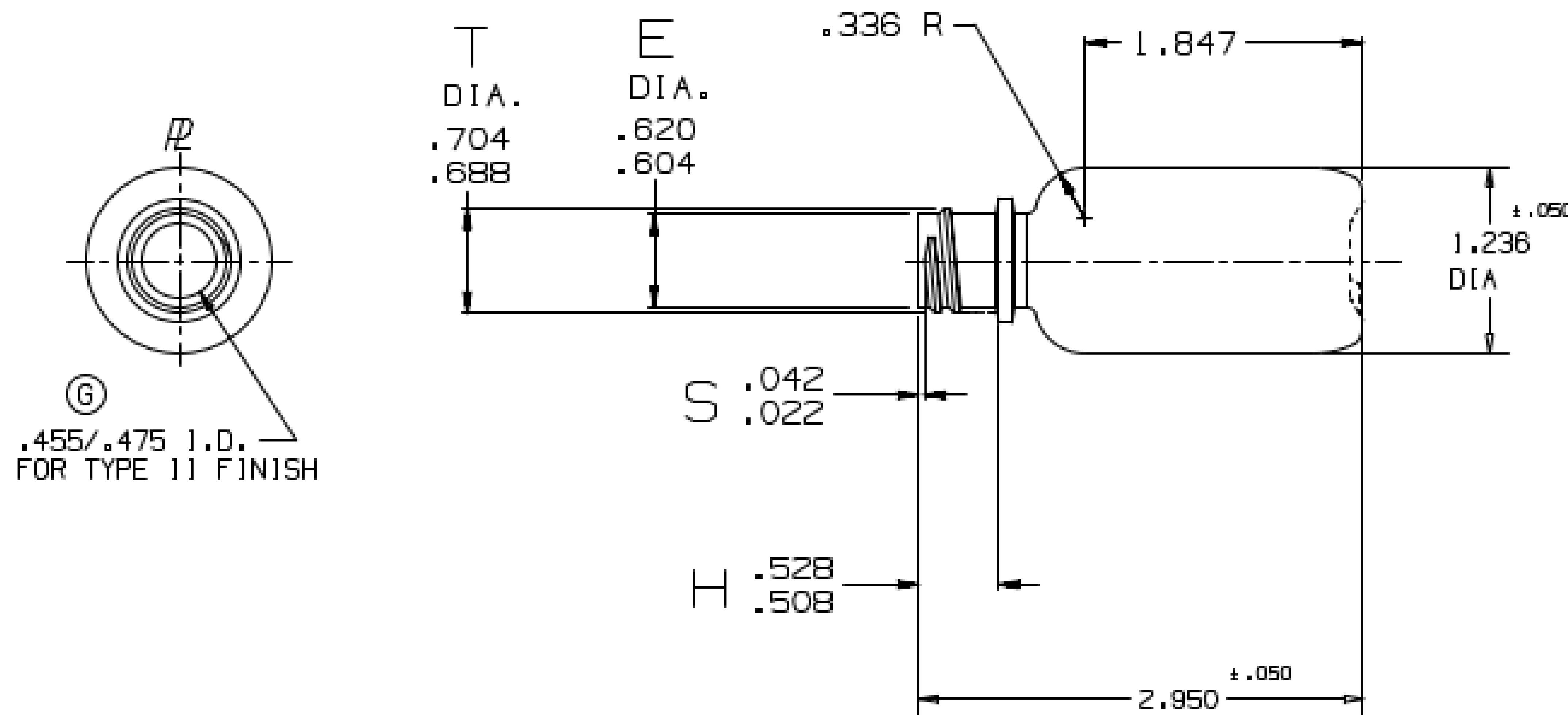
TYPE II  
FINISH DETAIL  
SCALE 5:1



SECTION A-A  
SCALE 5:1



M18-SP410 FINISH-TYPE I  
OR TYPE II  
SPECIAL BEAD



NOTES :

- 1) OVERFLOW CAPACITY = 1.27 ± .08 FL.OZ.  
(37.7 ± 2.5 CC'S.)
- 2) WEIGHT : 7.3 ± 0.5 GRAMS
- 3) T, E & I.D. ARE AN AVERAGE OF TWO MEASUREMENTS TAKEN 90° APART.

**DISCLAIMER**

This specification does not relieve the customer of their ultimate responsibility for the determination of the appropriate container. It is the customer's responsibility to select the appropriate packaging based upon all information at their disposal including the specific application, regulatory compliance, product compatibility and shipping requirements. WE HEREBY DISCLAIM AND EXCLUDE ANY EXPRESS OR IMPLIED WARRANTIES, INCLUDING WITHOUT LIMITATION THE IMPLIED WARRANTIES OF MERCHANTABILITY AND FITNESS FOR A PARTICULAR PURPOSE.

DISTRIBUTED BY:



REF NO.:

DWG32014

DESCRIPTION:

1 oz LDPE Boston Round Bottle, 18-410, 7 Gram