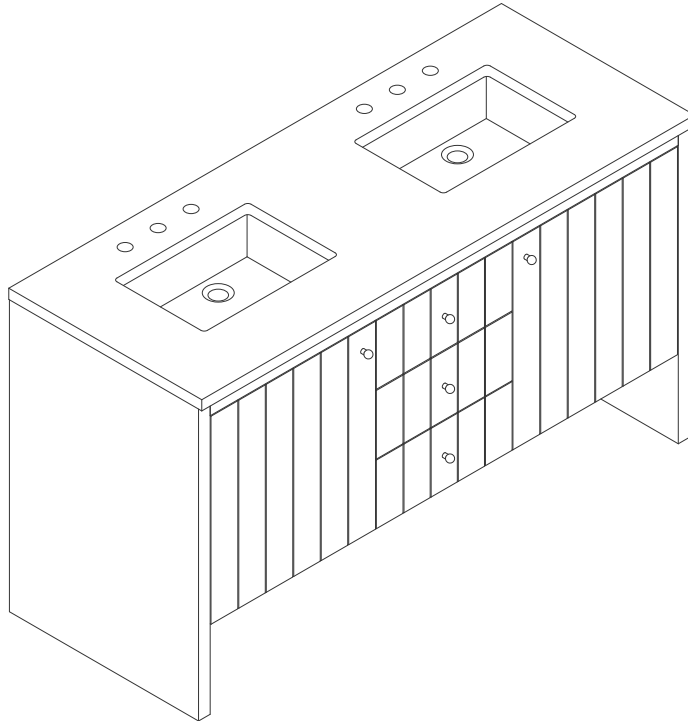


60"D HUDSON VANITY

JAMES MARTIN
VANITIES

435-V60D-LNO



Features and Materials

Solids: Ash and Yellow Poplar

Veneers: Flat Cut Ash

Panels: Plywood

Installation Type: Floor Standing

Number of Basins: Two, with Optional 3cm Top

Vanity Top Included: NO, Optional 3cm Tops Available with Sinks

Basins Included: NO

Overflow: Yes, Front Facing

Number of Doors: Two

Number of Drawers: Four

Number of Tip Outs: 0

USB/Power Component: YES (ETL5011080)

Cord Length: 6'6"

Assembly Type: Installation of Optional 3cm Top with Sink

Bamboo Storage Tray: One

Drawer Box Material and Construction: 12mm Plywood/English Dovetail Joinery

Hardware Material and Finish: Zinc Alloy in Champagne Brass Color Fits Drain

Hole Size: 1 3/4"

Full Extension, Soft Close Glides

European Soft Close Hinges

Aluminum Laminate Drawer Liners

Adjustable Levelers

Dimension

Width: 59-7/8"

Depth: 23-1/8"

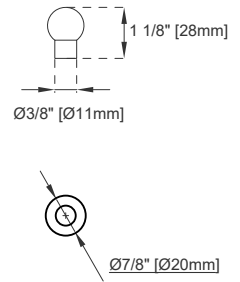
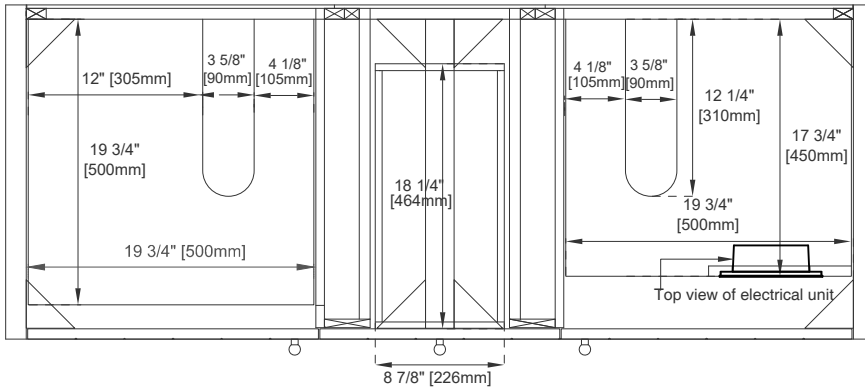
Height: 33"

Rough-In Height: 21-1/2"

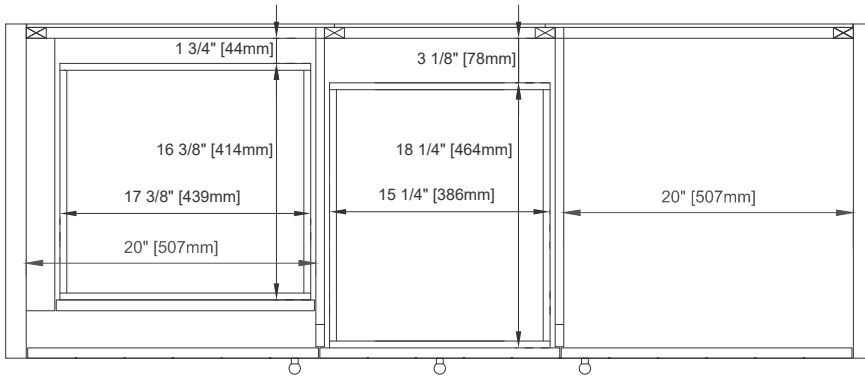
60"D HUDSON VANITY

JAMES MARTIN VANITIES

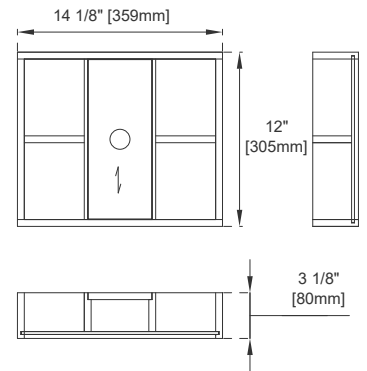
435-V60D-LNO



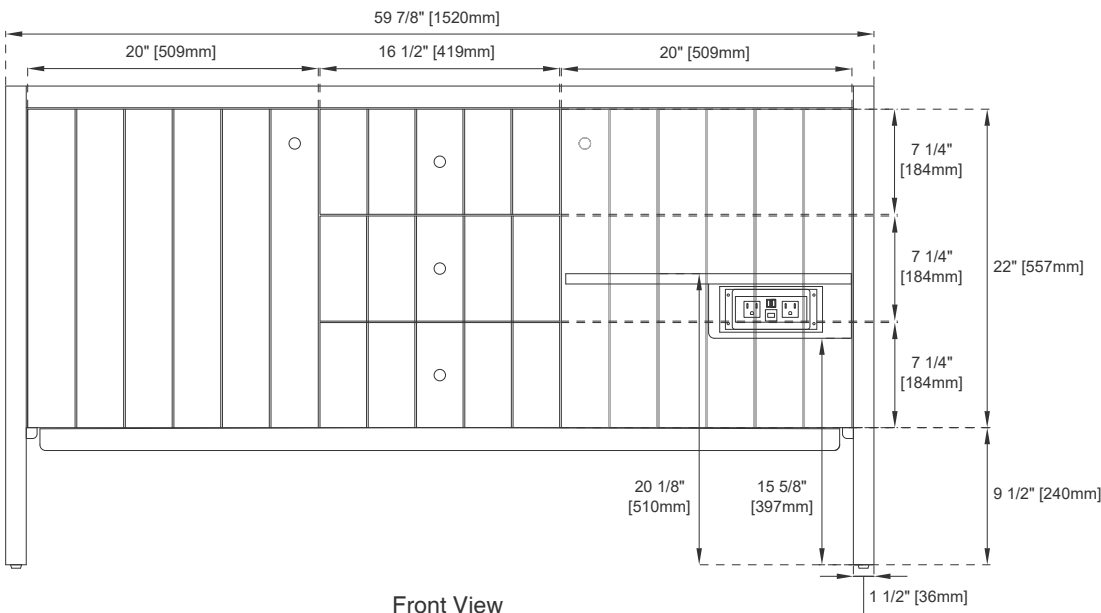
Knob



Top View



Bamboo Drawer Organizer



Front View

All dimensions are nominal

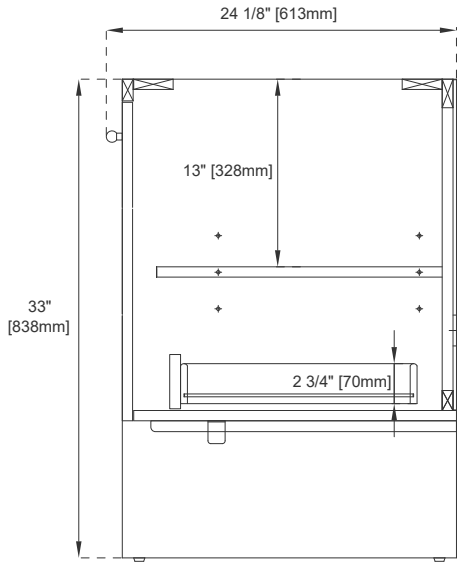
Diagrams are of cabinet only—James Martin Optional Countertops and sinks are not shown

Visit website for warranty and installation information
www.jamesmartinvanities.com

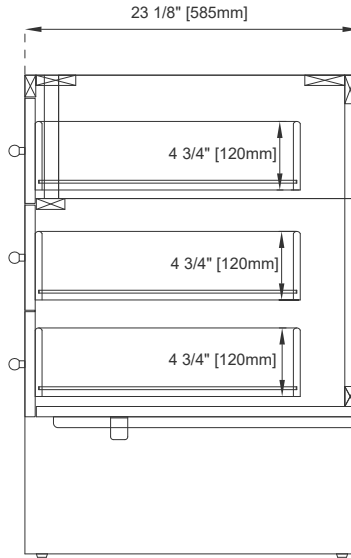
60"D HUDSON VANITY

JAMES MARTIN VANITIES

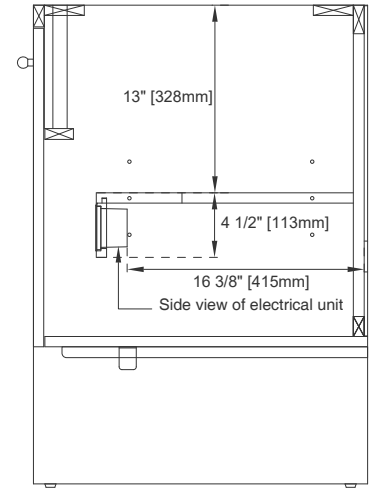
435-V60D-LNO



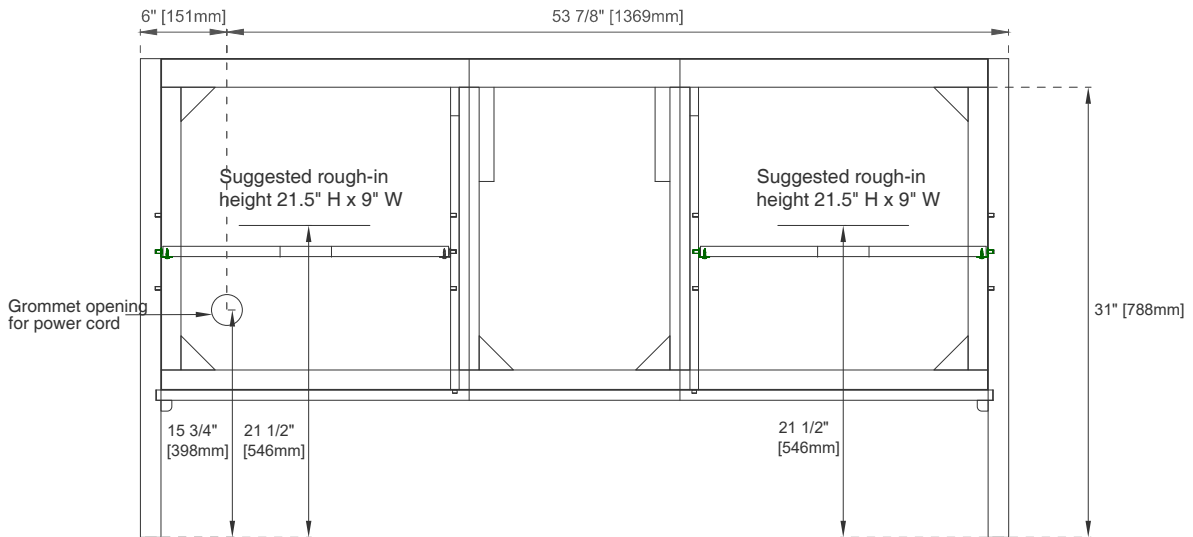
Side View



Side View



Side View



Back View

All dimensions are nominal

Diagrams are of cabinet only—James Martin Optional Countertops and sinks are not shown

Visit website for warranty and installation information
www.jamesmartinvanities.com