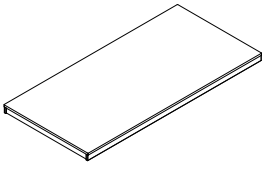


ASSEMBLY INSTRUCTIONS

69" RECTANGULAR DINING TABLE

A Top **B** Frame **C** Cross Bar **D** Support Bar **E** Support Tube



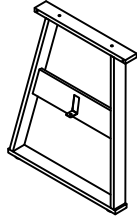
1pc
F Bolt
ø1/4" x 5/8"



18pcs
K Allen Key
4 x 22 x 60mm



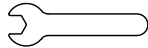
1pc



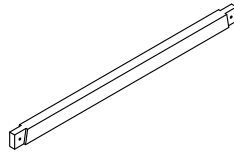
2pcs
G Bolt
ø1/4" x 1-1/4"



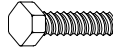
12pcs
L Wrench
19mm



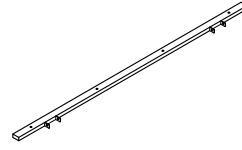
2pcs



1pc
H Bolt
ø1/2" x 1-1/2"



2pcs



2pcs
I Nut
ø1/2"



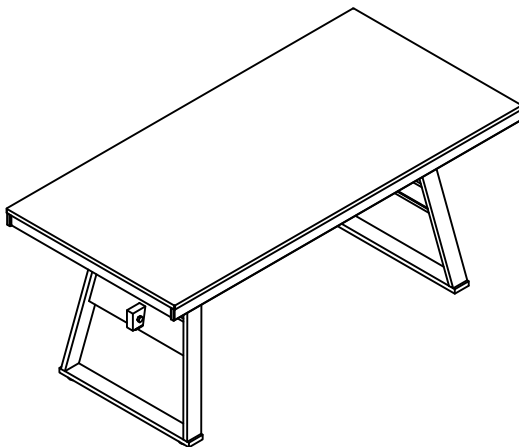
2pcs



4pcs
J Flat Washer
ø1/4" x 5/8"



30pcs



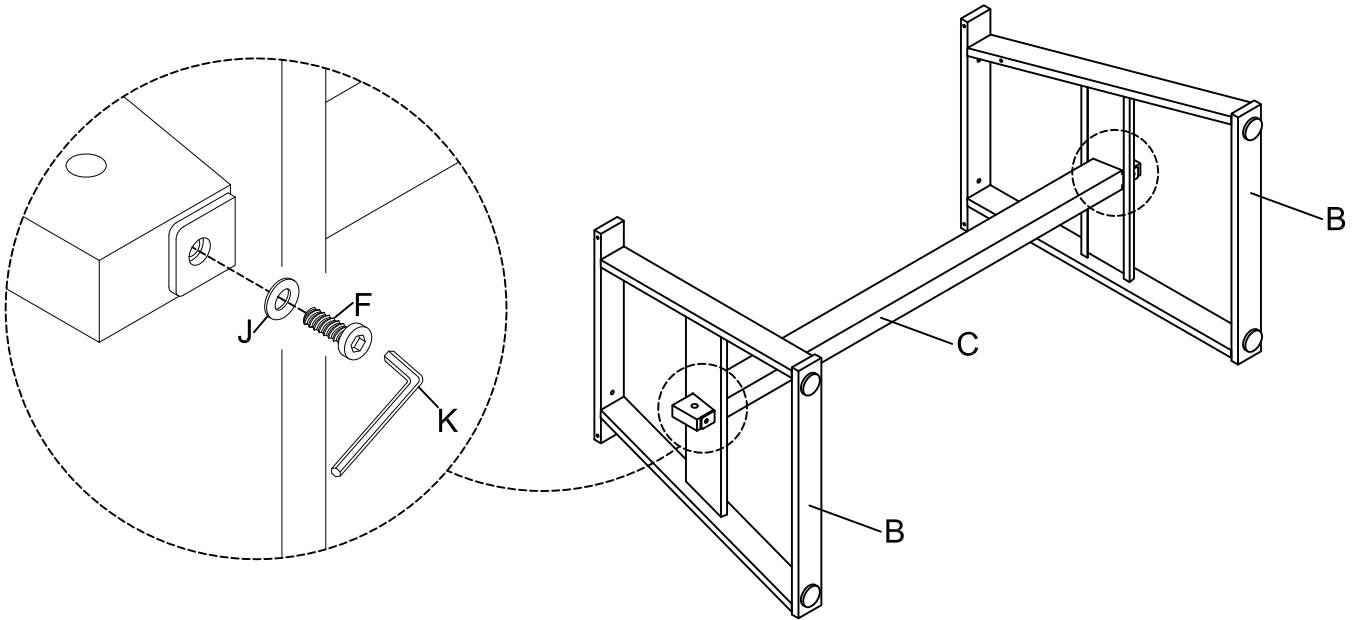
This page lists all the contents included in the box. Please take the time to identify the hardware as well as the individual components to this product. As you unpack and prepare for assembly, place the contents on a carpeted or padded area to protect them from damage.

Note:

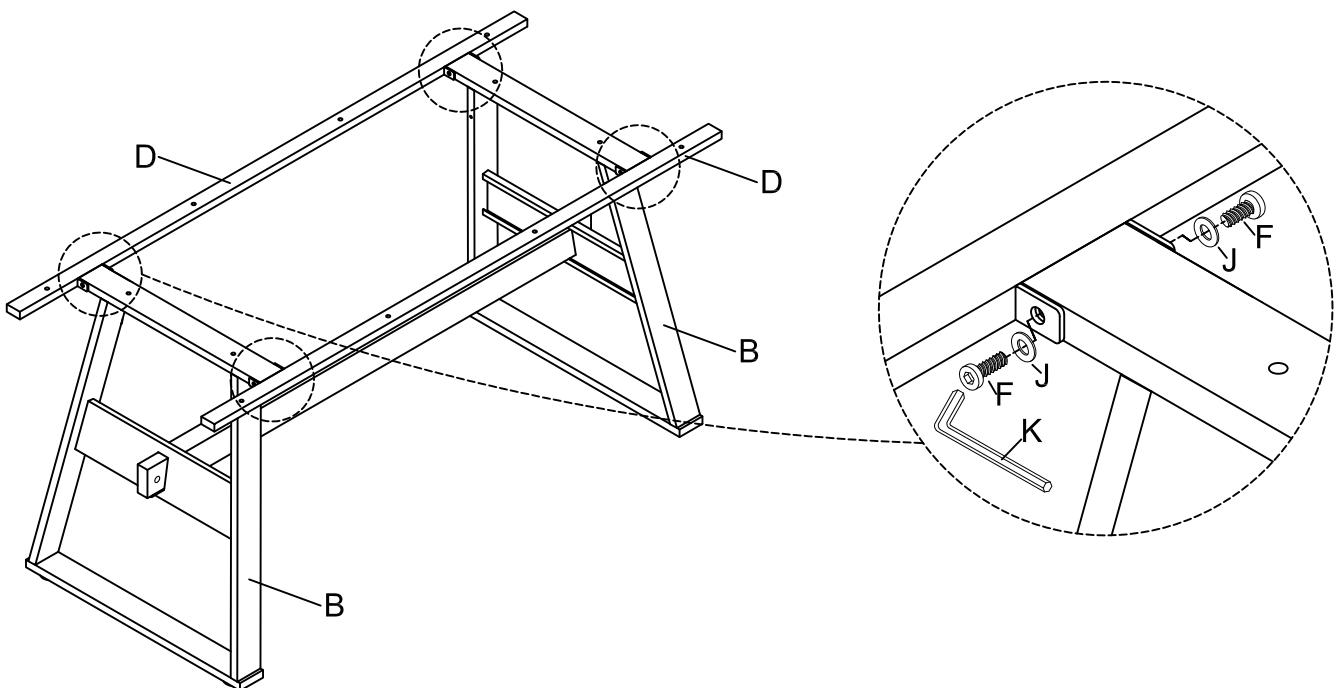
Do not fully tighten all bolts until the assembly is completed. This will help all parts to be assembled properly.

Two people are needed for assembly.

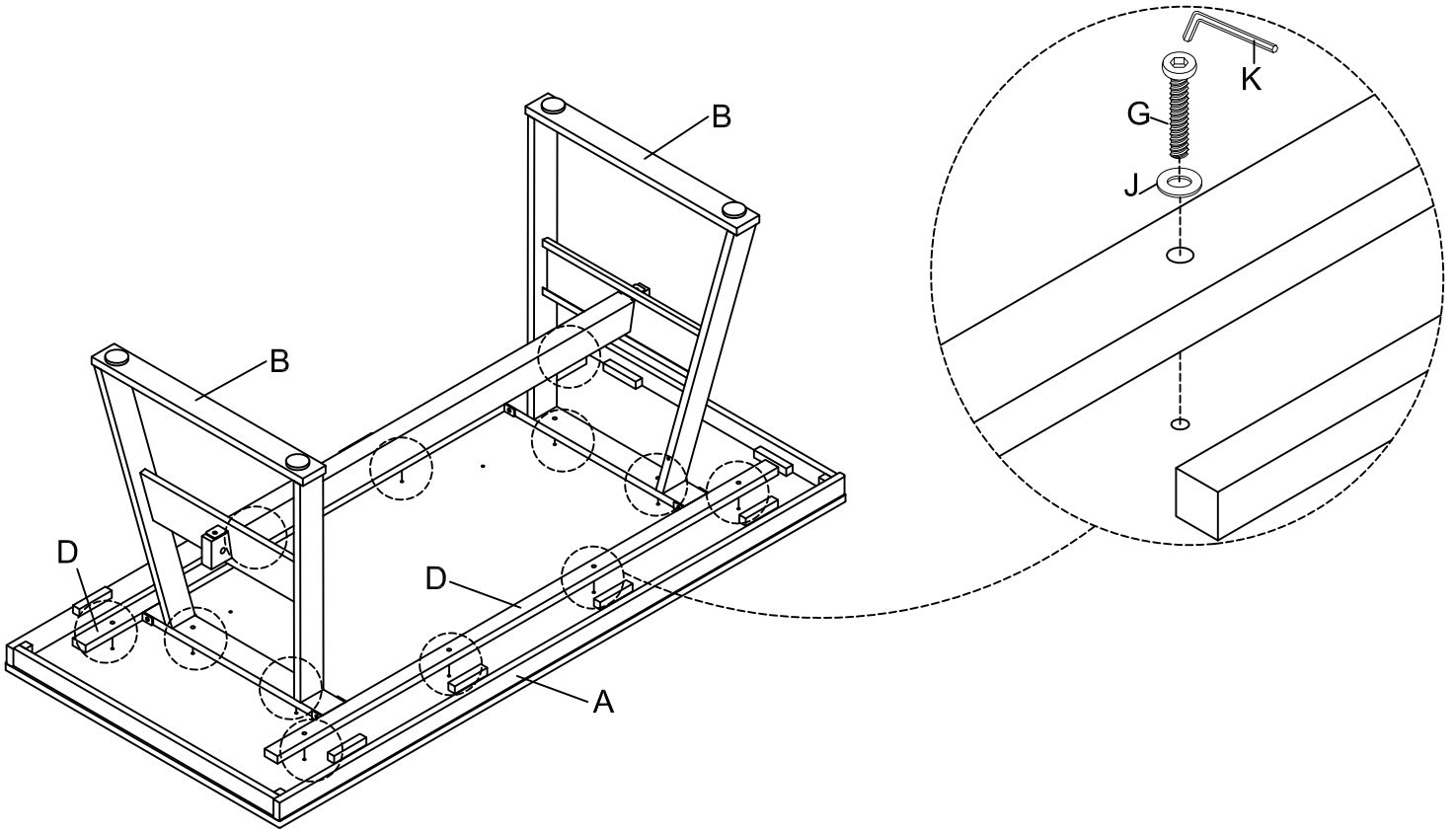
1 Attach the Cross Bar (C) to the Frame (B) using Bolt (F) and Flat Washer (J) with the Allen Key (K).



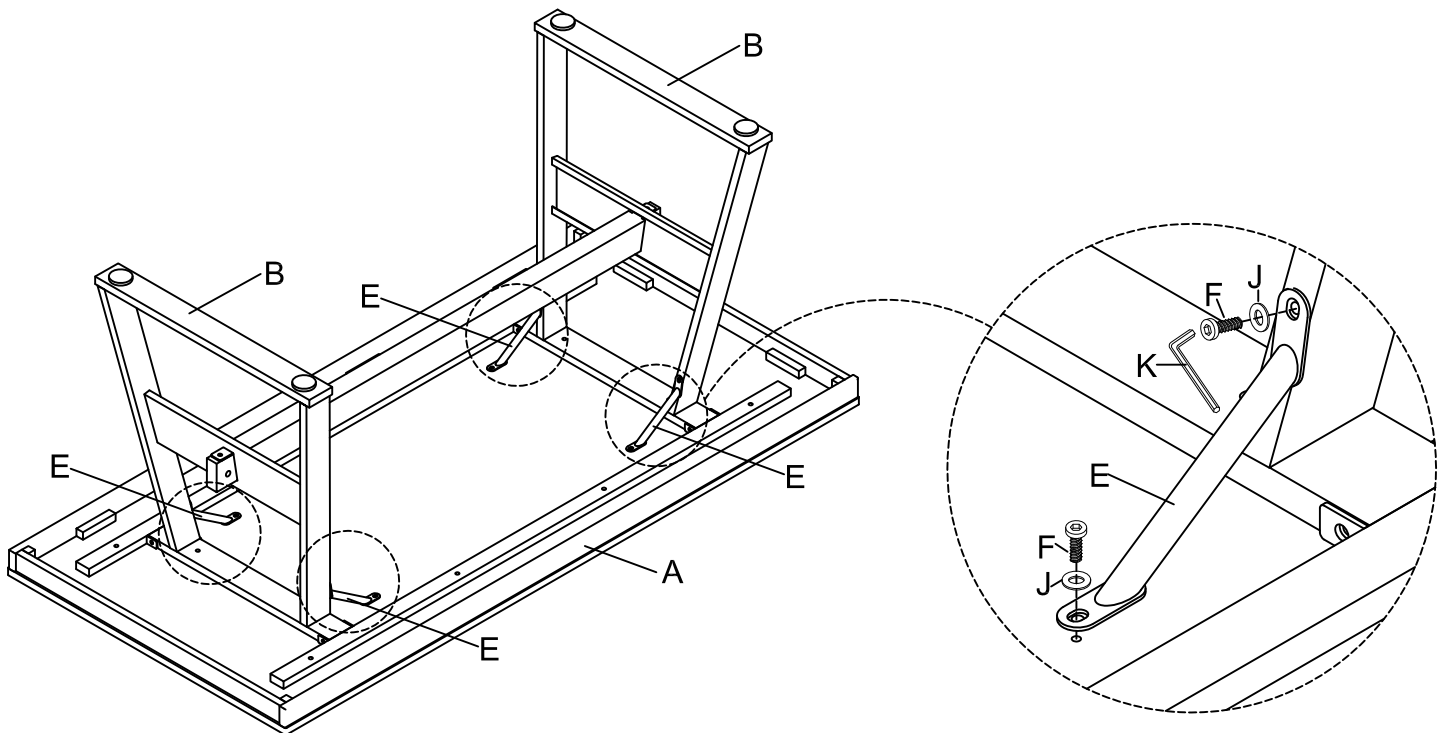
2 Attach the Support Bar (D) to the Frame (B) using Bolt (F) and Flat Washer (J) with the Allen Key (K).



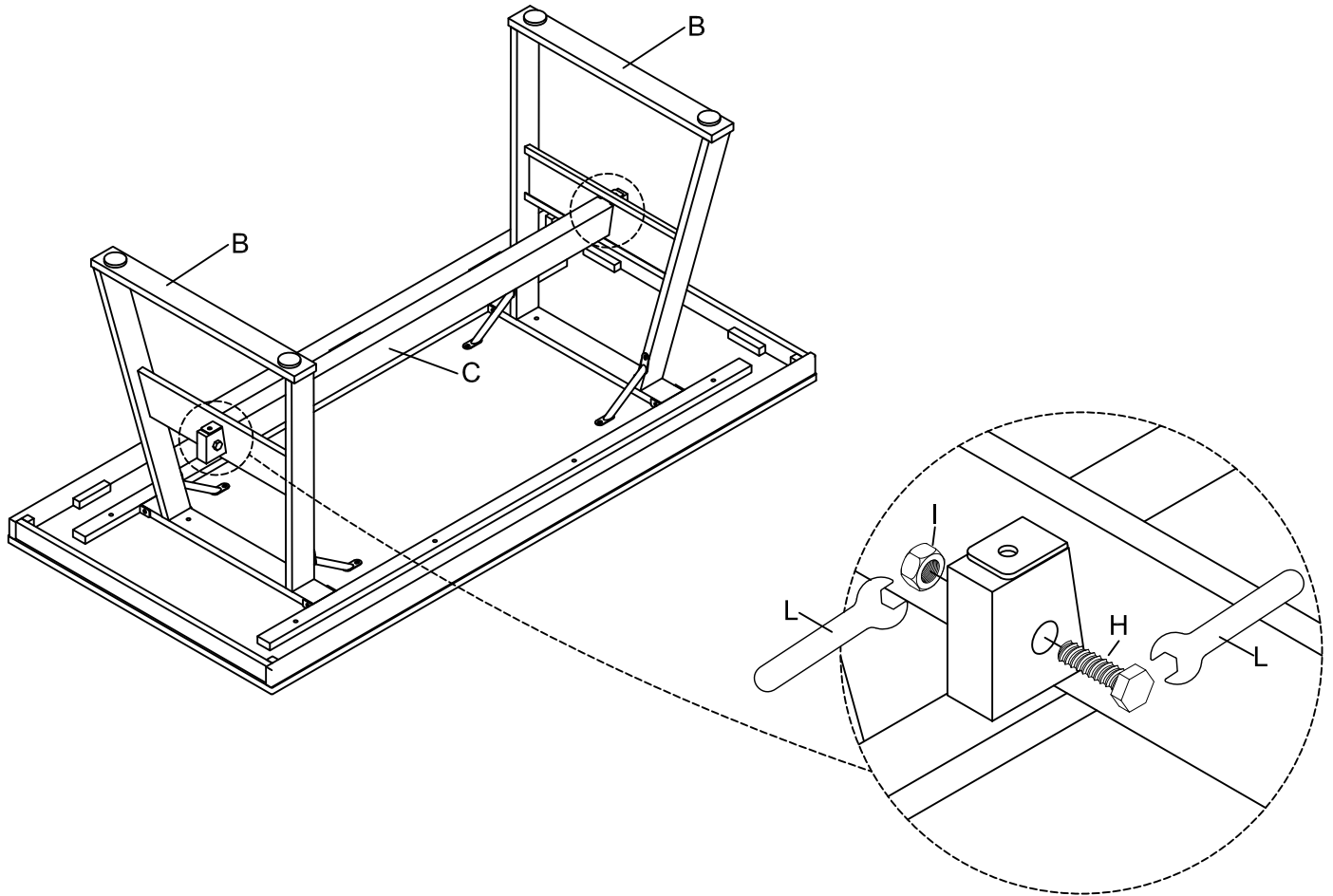
3 Attach the Frame (B) and the Support Bar (D) to the Top (A) using Bolt (G) and Flat Washer (J) with the Allen Key (K).



4 Attach the Support Tube (E) to the Top (A) and the Frame (B) using Bolt (F) and Flat Washer (J) with the Allen Key (K).



5 Secure the Cross Bar (C) using Bolt (H) and Nut (I) with the Wrench (L).



Cleaning & Care

Treat surfaces with care. Surfaces are resistant to scratches but are not scratch resistant. Clean surfaces with a dry or damp soft cloth. Do not use abrasive cleaners. Hardware may loosen over time. Periodically check that all connections are tight.