



Be Crafty.

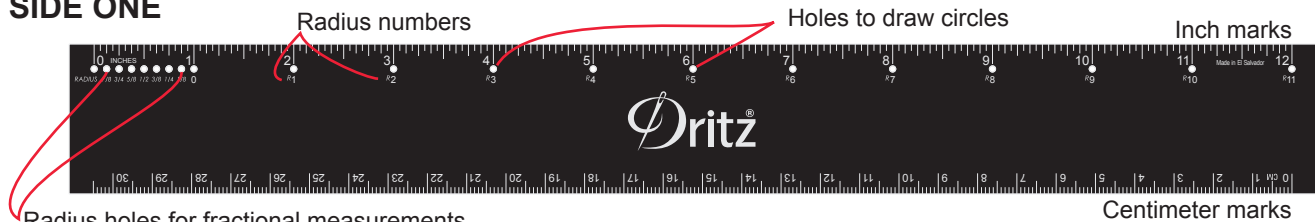
Technique Tutorial

How to Use the Dritz® 12" Specialty Ruler, Item #44088

This versatile, lightweight aluminum ruler is a must for any sewing room. It has an extra 1/4" at each end to ensure accurate 1"–12" measuring. Each side is different, with SIDE ONE offering both inch marks and centimeter markings, as well as holes to create circles. SIDE TWO includes inch and 15° incremental angle markings – great for foundation quilting, paper piecing, general pattern making, crafts, and home decor projects.

Features:

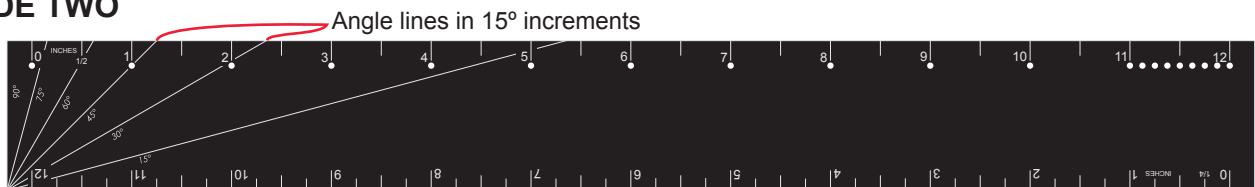
SIDE ONE



Radius holes for fractional measurements.
Use these as the pivot point for your circles.

- Inch and centimeter markings along opposing edges
- Use the small holes located below inch marks to easily and accurately draw full-inch circles (example: 2"). Openings accommodate a fine-tip pen, mechanical pencil or fine-tip awl.
- Use the eight holes located between 0 and 7/8" to draw circles with a fractional radius (example: 2-3/4").

SIDE TWO



- Inch marks in 1/4" and 1/2" increments along opposing edges
- 15° incremental angle markings extend from left hand corner

DEFINITIONS:



DIAMETER: the measurement across the center of a circle from one side to the other.

RADIUS: the measurement from the center of a circle to its perimeter.

FRACTIONAL RADIUS: the total measurement from the center of a circle to its perimeter which contains a fraction. Not a whole number.



Be Crafty.

Technique Tutorial

How to Use the Dritz® 12" Specialty Ruler (continued)

This Technique Tutorial contains four individual tutorials: Circles in full-inch increments, Circles with a fractional radius, 45° lines, and Drawing multiple lines at 15° increments. A project and inspirational design drawings are also included. Enjoy!

Tutorial 1: CIRCLES IN FULL-INCH INCREMENTS

Supplies:

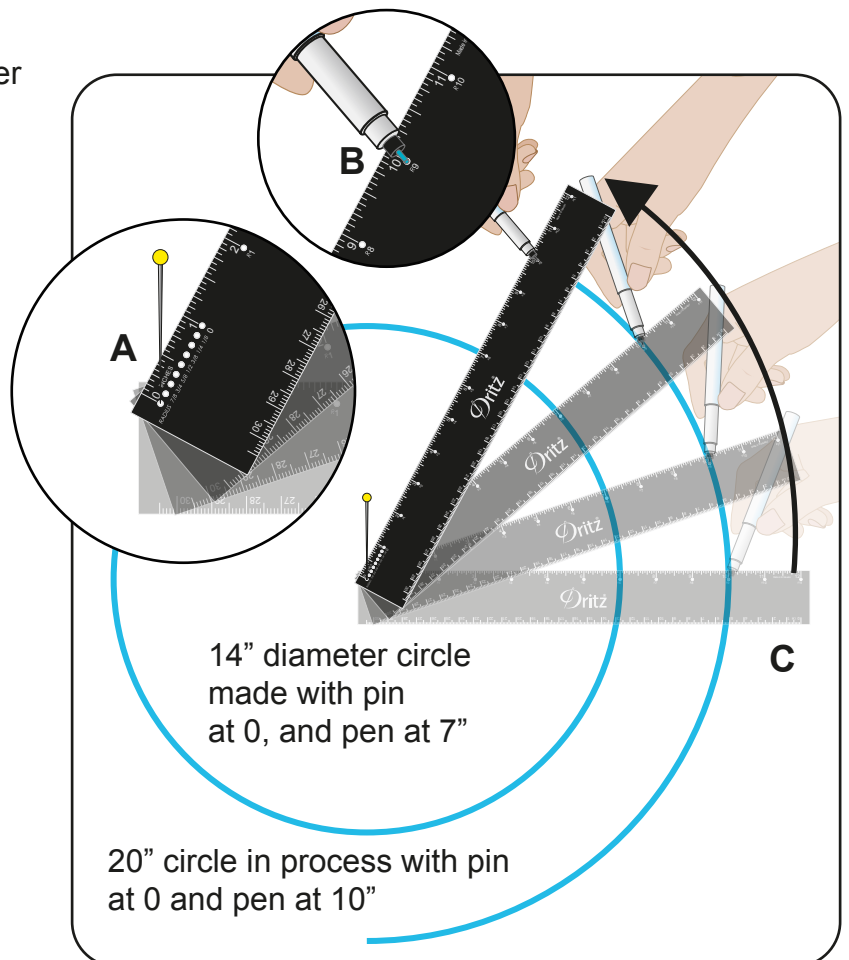
- 12" Specialty Ruler
- Straight pin or heavy hand needle
- Fine point pen or mechanical pencil
- Fabric or paper

TIPS & TECHNIQUES



Holes are tiny for accuracy. Use a mechanical pencil or a fine-tip marker. The tip itself must be small enough to extend through the holes.

- 1.** Determine the circle radius by dividing the desired diameter of circle by 2 (example: 14" diameter circle $\div 2 = 7"$ radius).
- 2.** Place a straight pin or needle point into the hole at the 0-inch mark on SIDE 1 of the ruler (A). Place the point of the pen or pencil through the hole at the inch-mark of the pre-determined radius (B).
- 3.** Holding the straight pin firmly to prevent the ruler from slipping, use the point of the pen to move the ruler in a circular fashion to draw the circle (C).





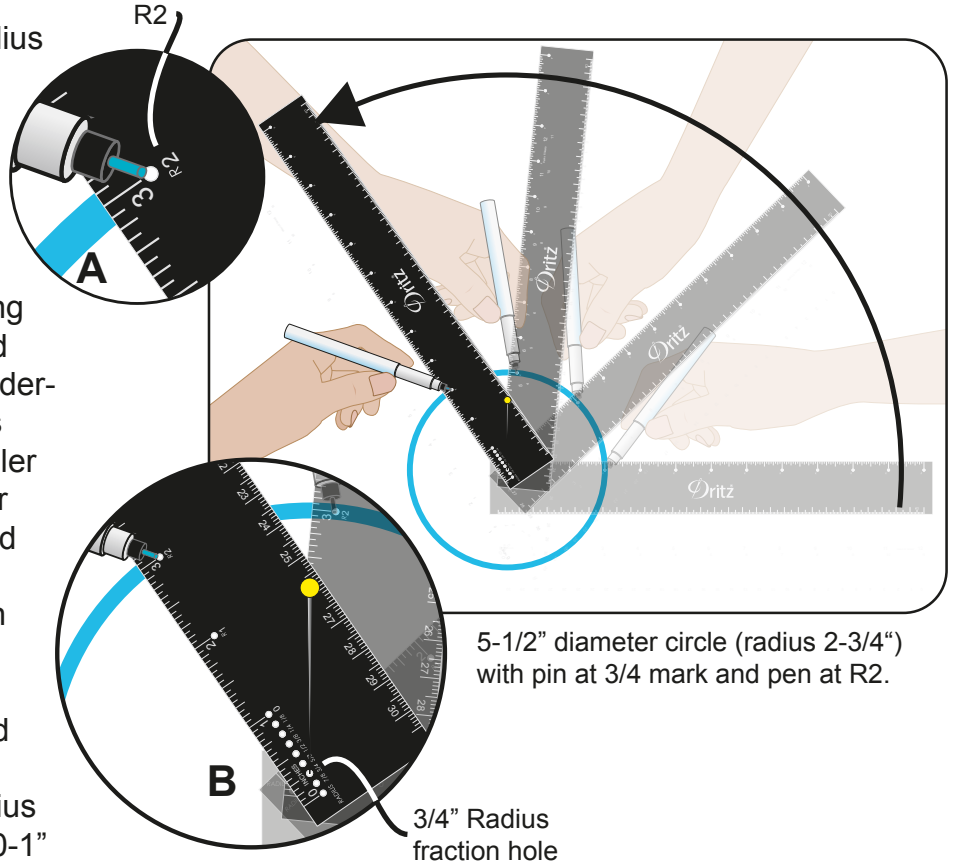
Be Crafty.

Technique Tutorial

How to Use the Dritz® 12" Specialty Ruler (continued)

Tutorial 2: CIRCLES WITH A FRACTIONAL RADIUS

- 1.** Determine the circle radius by dividing the desired diameter of the circle by 2 (example: $5\text{-}1/2''$ diameter circle $\div 2 = 2\text{-}3/4''$ radius).
- 2.** Locate the corresponding R-number of the desired circle radius, located underneath the inch markings along the top edge of ruler (example: the R-number for a circle with a desired radius of $2\text{-}3/4''$ is R2 located under the 3-inch mark) (A).
- 3.** Once you've determined the correct R-number, locate the fractional radius hole located below the 0-1" marks along top edge of ruler (example: the fractional R-number for a circle with a desired radius of $2\text{-}3/4''$ is the hole located directly above the $3/4''$ mark) (B).
- 4.** Place a pen or pencil point in the pre-determined R-number hole (A). Place a straight pin or needle in the pre-determined fractional radius hole (B). Holding the straight pin firmly to prevent the ruler from slipping, use the point of the pen to move the ruler in a circular fashion to draw circle.





Be Crafty.

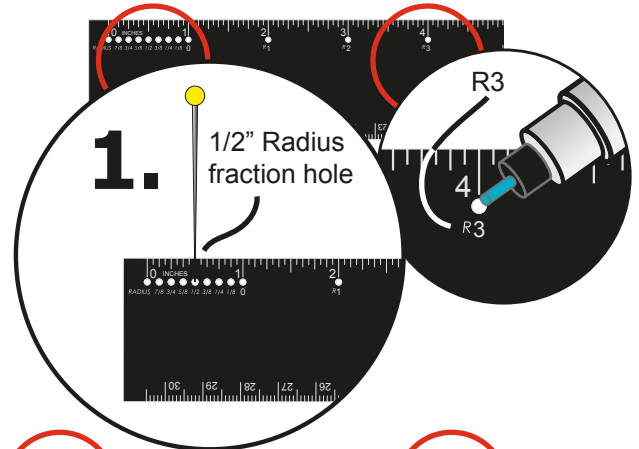
Technique Tutorial

How to Use the Dritz® 12" Specialty Ruler (continued)

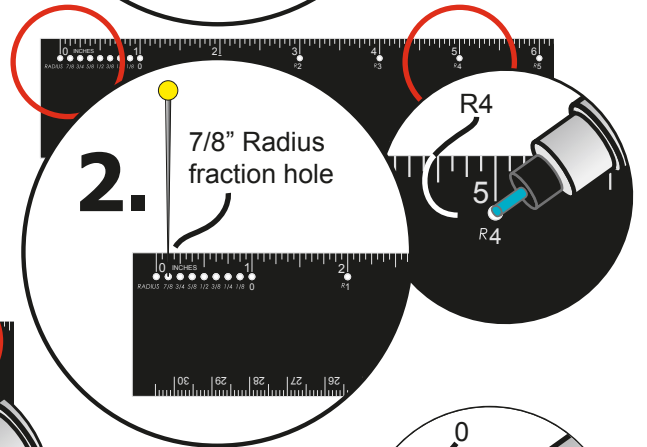
Tutorial 2: CIRCLES WITH A FRACTIONAL RADIUS (continued)

Additional Examples:

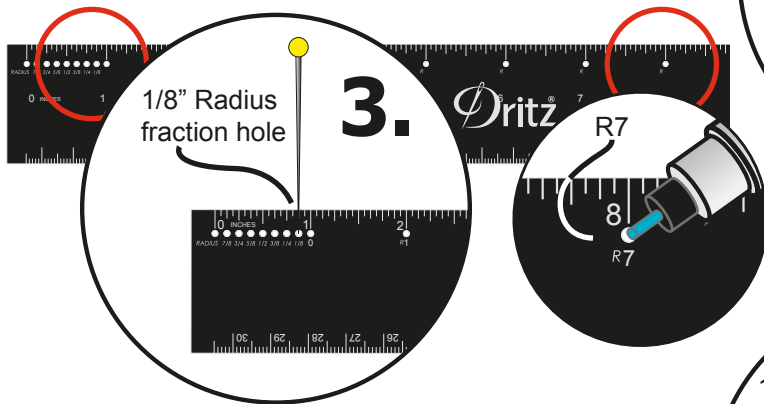
- 1.** Desired circle diameter is 7"
- Radius is 3.5" (3-1/2")
 - R-number is R3 located under 4-inch mark
 - Fractional R-number is 1/2"



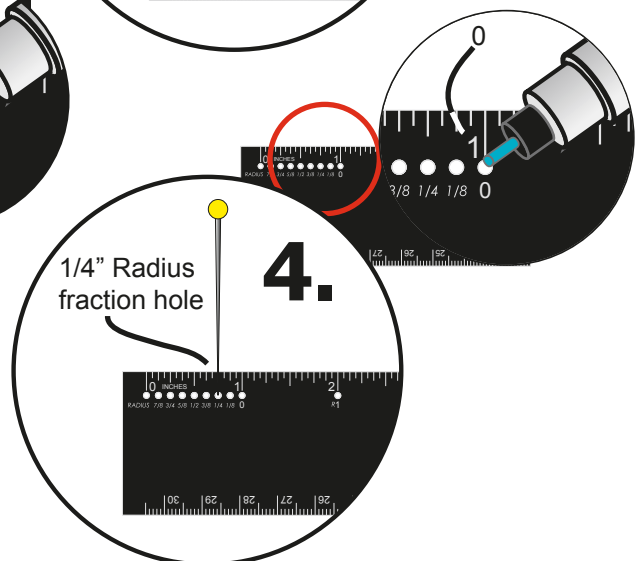
- 2.** Desired circle diameter is 9.75" (9-3/4")
- Radius is 4.875" (4-7/8")
 - R-number is R4 located under 5-inch mark
 - Fractional R-number is 7/8"



- 3.** Desired circle diameter is 14.25" (14-1/4")
- Radius is 7.125" (7-1/8")
 - R-number is R7 located under 8-inch mark
 - Fractional R-number is 1/8"



- 4.** Desired circle diameter is .5" (1/2")
- Radius is .25" (1/4")
 - Since this number is less than one-inch, place pin point in the hole located under the 0-inch mark and place the pen in fractional R-number 1/4"





Be Crafty.

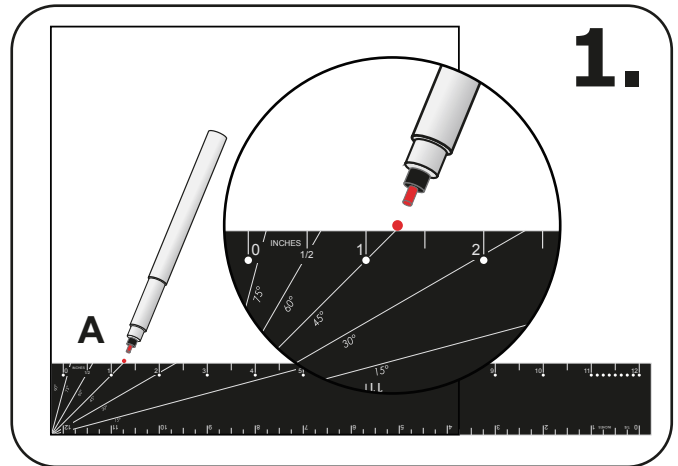
Technique Tutorial

How to Use the Dritz® 12" Specialty Ruler (continued)

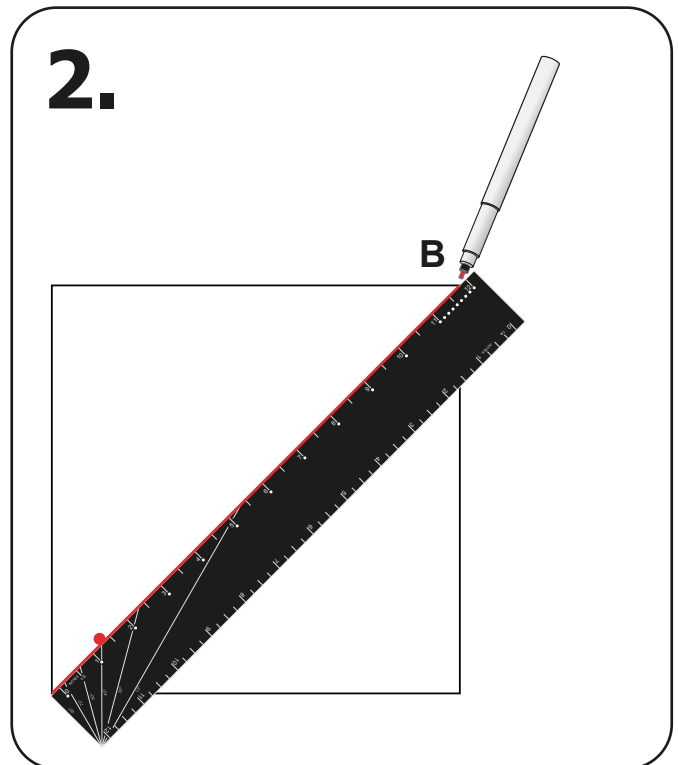
Tutorial 3: 45° LINES

Diagonal lines are commonly used in an array of sewing and quilting projects. To be able to confidently and quickly draw accurate angle lines is important.

- 1.** Line up the bottom left hand corner on SIDE 2 of the ruler with the bottom left corner of your project (A). Place a light dot to mark the position of the 45° line.



- 2.** Rotate the ruler so the top left corner of the ruler aligns with the bottom left corner of the project and the 45° angle mark. Using the straight edge of the ruler, draw a line (B).





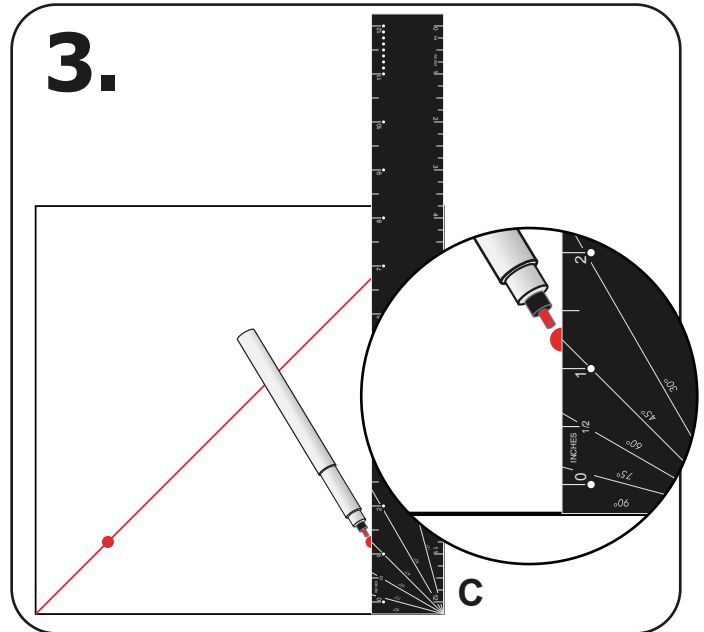
Be Crafty.

Technique Tutorial

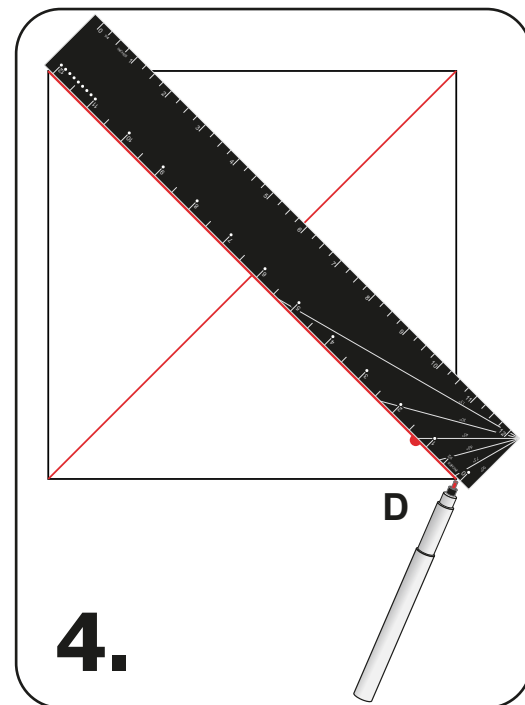
How to Use the Dritz® 12" Specialty Ruler (continued)

Tutorial 3: 45° LINES (continued)

- 3.** To draw a 45° line in the opposite direction, turn the ruler so the bottom edge of the ruler lines up with the bottom right corner of the project (C). Place a dot to lightly mark the position of the 45° line.



- 4.** Rotate the ruler so the bottom right corner aligns with the bottom right corner of the project. Using the straight edge of the ruler, draw a line (D).





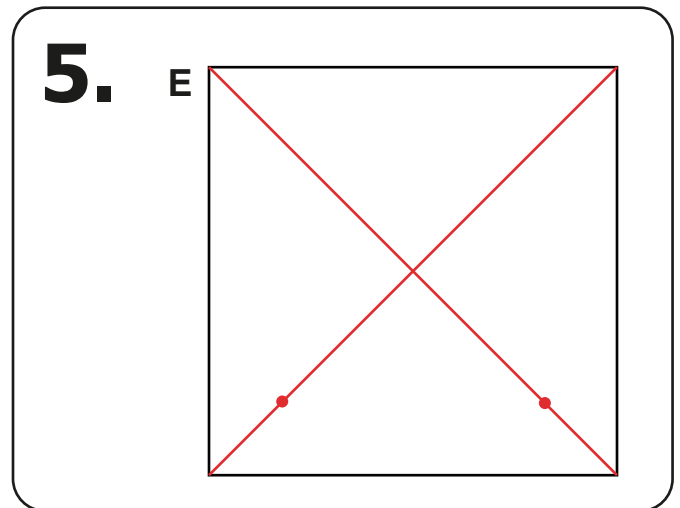
Be Crafty.

Technique Tutorial

How to Use the Dritz® 12" Specialty Ruler (continued)

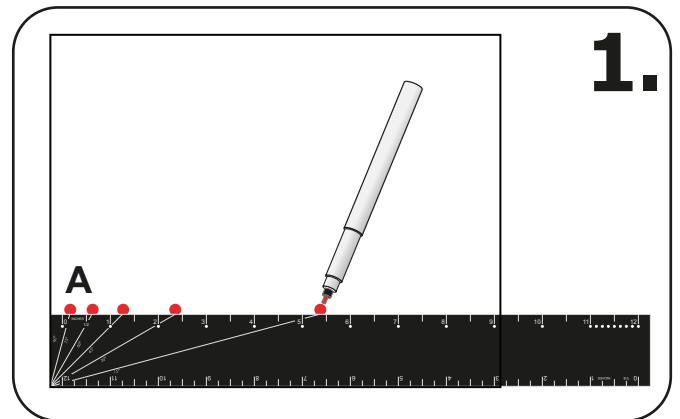
Tutorial 3: 45° LINES (continued)

5. You now have two crossed 45° lines or 4 triangles (E). This is an easy way to design a pillow front or a simple quilt block. If you plan to use the finished design as a pattern, you must cut the sections apart and add seam allowance to all edges.



Tutorial 4: DRAWING MULTIPLE LINES AT 15° INCREMENTS

1. Line the bottom left corner of ruler up with the bottom left corner of project. Place a mark (A) at the top edge of each diagonal degree line (15°, 30°, 45°, 60°, 75° and 90°).





Be Crafty.

Technique Tutorial

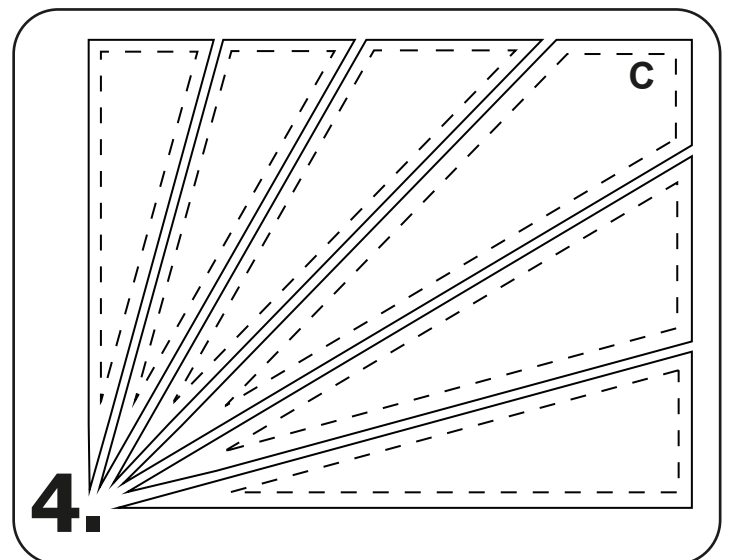
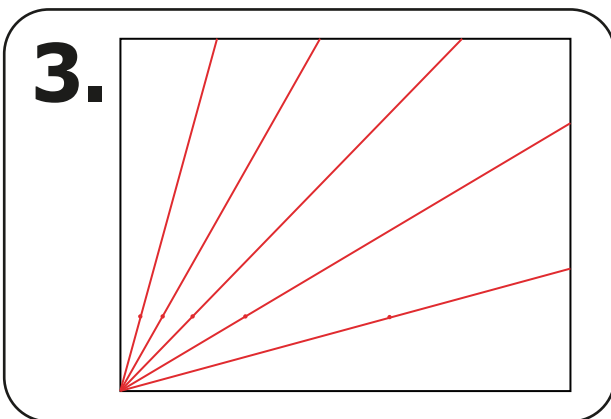
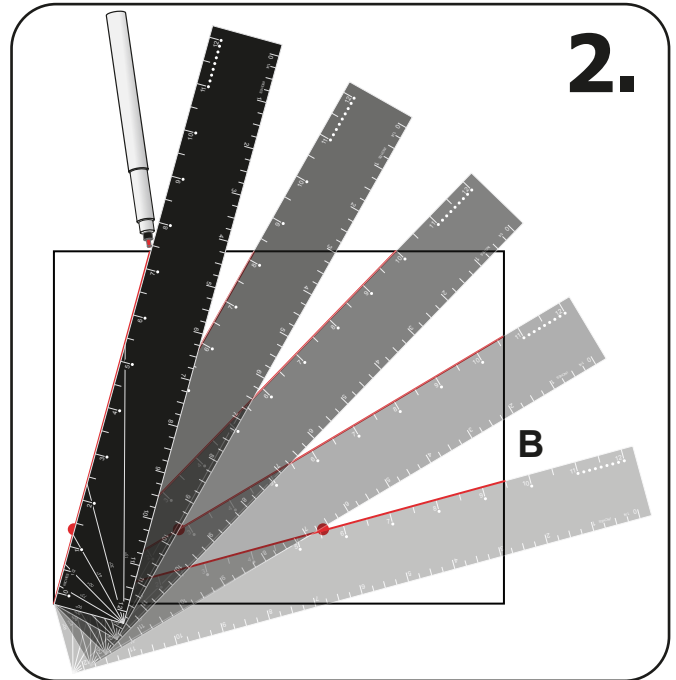
How to Use the Dritz® 12" Specialty Ruler (continued)

Tutorial 4: DRAWING MULTIPLE LINES AT 15° INCREMENTS (continued)

2. Rotate the ruler so the top left corner aligns with lower left corner of the project and the marked degree line. Using the straight edge of the ruler, draw a line (B). Repeat for each marked degree.

3. You now have 5 completed diagonal lines, each placed 15° apart.

4. If the design is to be used as a pattern, you must cut the sections apart and add seam allowance to each edge (C).





Be Crafty.

Technique Tutorial

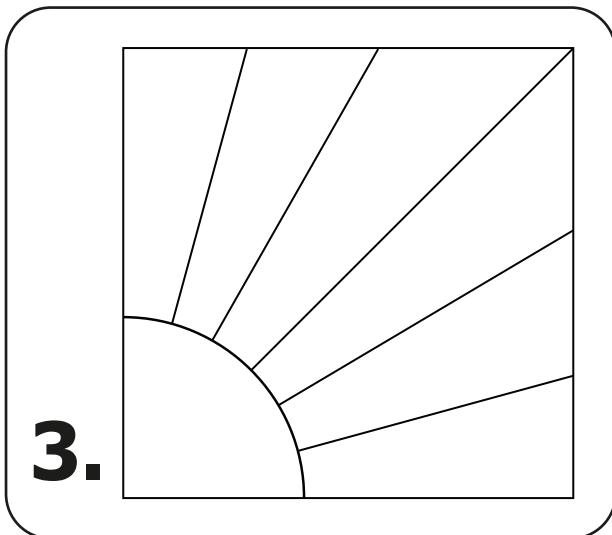
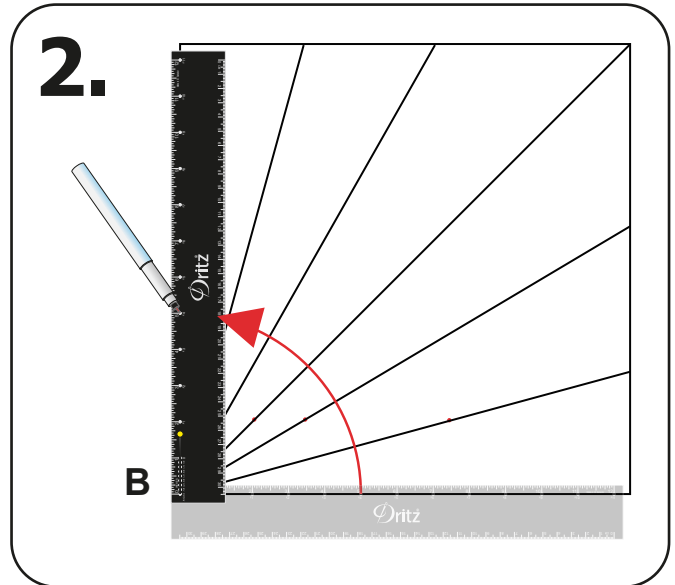
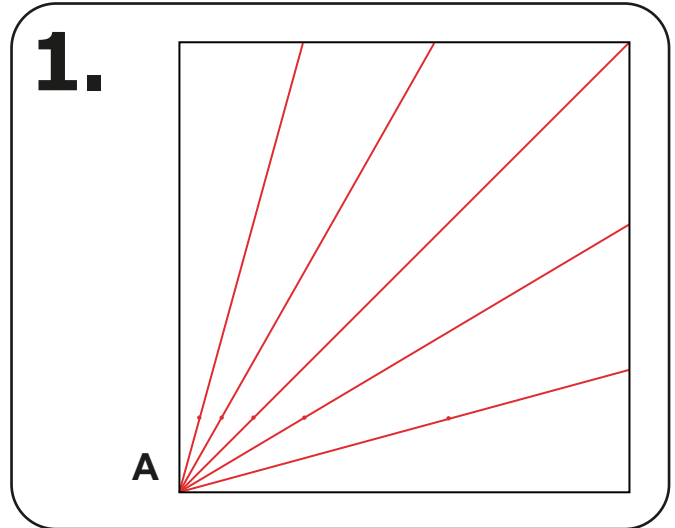
How to Use the Dritz® 12" Specialty Ruler (continued)

PROJECT: Sun Ray Pattern

1. To create the rays, follow steps 1-3 in tutorial 4 to create the full set of 15° lines (A).

2. To create the sun, align the bottom left corner of the ruler with the bottom left corner of the project; follow steps 1-3 in tutorial 1 and draw a quarter circle (B) stopping at the left edge of the project.

3. Erase the angle lines within the quarter circle sun to complete the design. This design can be used to create a paper pieced quilt block, or cut it apart and add seam allowance to create a pieced pillow.



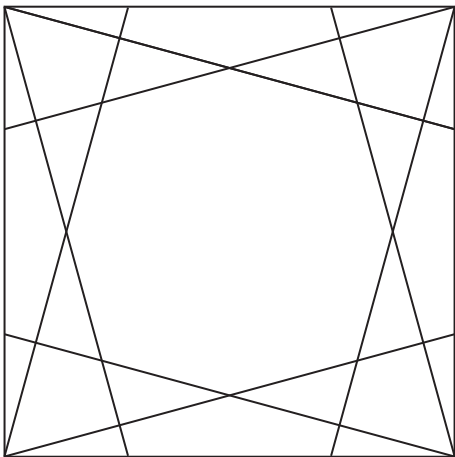


Be Crafty.

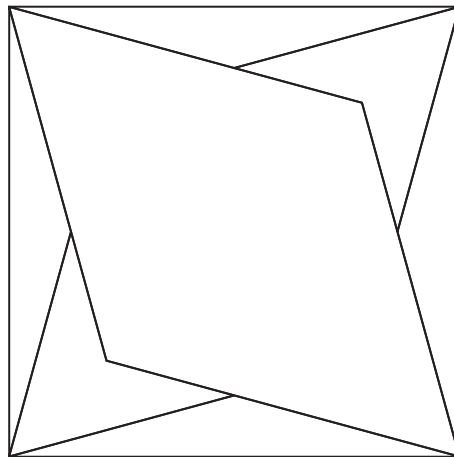
Technique Tutorial

How to Use the Dritz® 12" Specialty Ruler (continued)

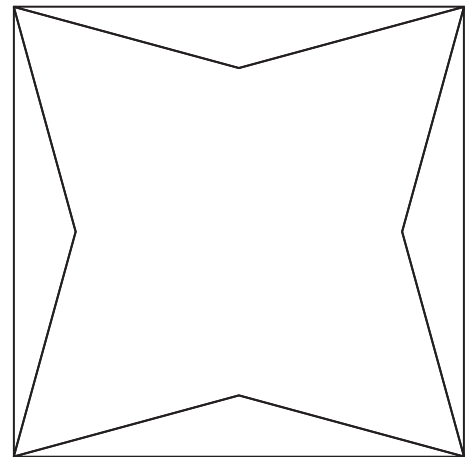
DESIGNS CREATED BY COMBINING RULER FEATURES



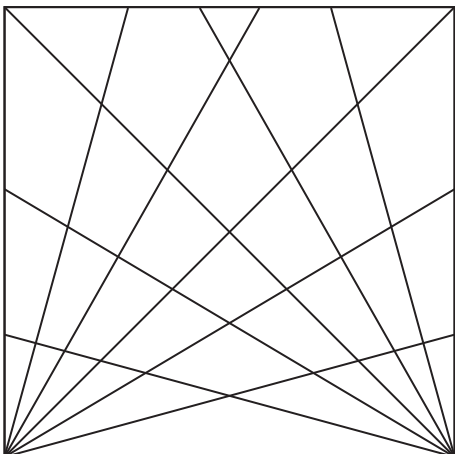
Use only the 15° and the 75° lines extending them from each corner.



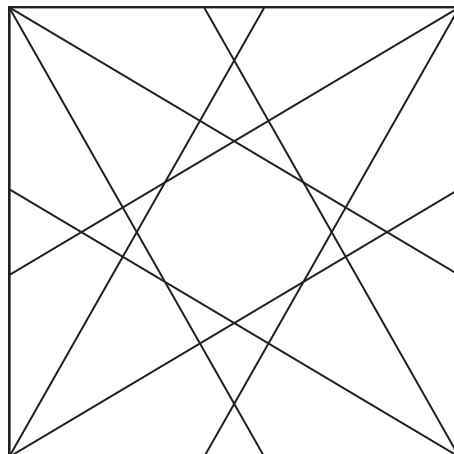
Use only the 15° and the 75° lines at each corner; then erase selected lines.



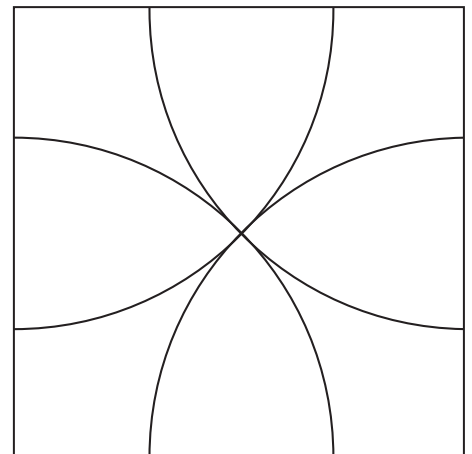
Use only the 15° and the 75° lines at each corner; then erase a different set of selected lines.



Use all angle lines extending from the bottom two corners only.



Use only the 30° and 60° angles at all 4 corners.



Draw a quarter-circle at each corner to create the above design.