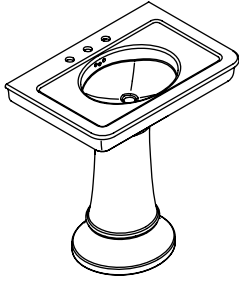


Installation Guide

Pedestal Lavatory

P72037

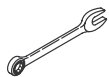


Français, page "Français-1"
Español, página "Español-1"

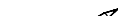
KALLISTA®

1036496-2-B

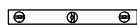
Tools and Materials



1/2" and 9/16"
Combination
Wrenches



Pencil



Level



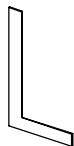
Safety
Glasses



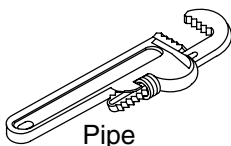
Tape
Measure



Drill



Square



Pipe
Wrench

Thank You For Choosing Kallista

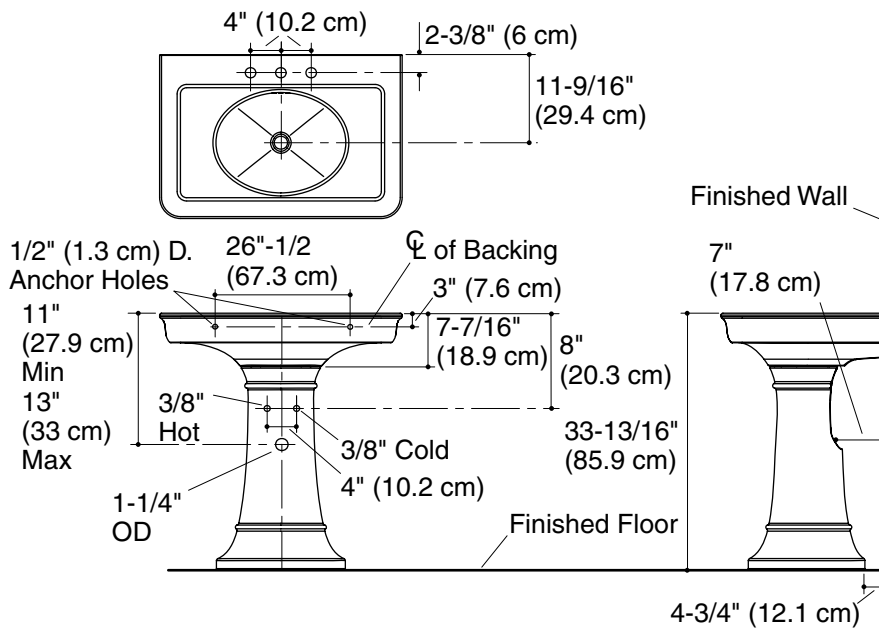
Thank you for choosing Kallista. Please take a few minutes to review this manual before you start installation. If you encounter any installation or performance problems, please don't hesitate to contact us from within the USA or Canada at 1-888-4-KALLISTA (1-888-452-5547).

Before You Begin



CAUTION: Risk of product damage. Do not overtighten connections. Overtightening may damage the product.

- Observe all local plumbing codes.
- Prior to installation, unpack the new lavatory and pedestal and inspect them for damage.
- Return the lavatory and pedestal to the protective cartons until you are ready to install.
- These instructions are for installing the lavatory to wood frame construction. For other installations, provide suitable bracing and fastening devices of sufficient size and strength.
- The walls and floor must be square, plumb, and level.
- Lavatory dimensions are nominal and conform to tolerances in ASME A112.19.9 standards for non-vitreous ceramic plumbing fixtures.
- Kallista reserves the right to make revisions in the design of products, as specified in the Price Book.

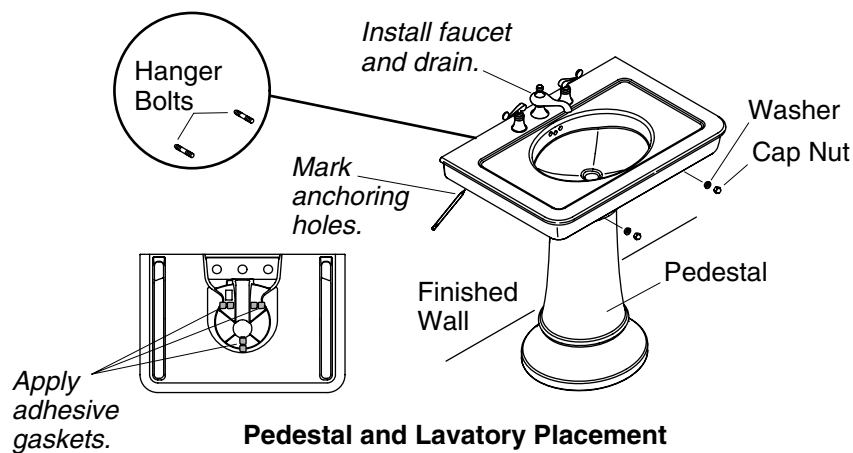


1. Preparation

- Install the water supplies and drain piping according to the roughing-in information. Install the supply stops so the handles will not touch the pedestal when fully open.
- Install sufficient backing behind the finished wall to provide a secure material for the anchoring devices.
- Mark the centerline on the floor.
- Move the pedestal into position on the marked centerline.

NOTE: The lavatory **must** be supported by the pedestal.

- Apply two self-adhesive gaskets (provided) to each of the three ribs on the bottom of the basin.
- Carefully lift the lavatory into place on the pedestal, and slowly move the pedestal as required to ensure proper fit.
- Level the lavatory.
- Locate the two lavatory anchoring holes, and mark the hole locations on the finished wall.
- Carefully remove the lavatory from the pedestal and set aside. Move the pedestal from the area.



2. Install the Lavatory

- Drill 1/4" mounting holes at the marked locations on the finished wall.

NOTE: You can also use other fastening devices of sufficient size and strength.

- Install hanger bolts in the wall and floor so they extend 1-3/8" (3.5 cm) beyond the finished wall.
- Install the faucet and drain to the lavatory according to the manufacturer's instructions.
- Position the pedestal on the floor.
- Carefully set the lavatory on the pedestal so the hanger bolts extend through the lavatory anchoring holes.
- ⚠ **CAUTION: Risk of product damage.** Do not overtighten the cap nuts. Overtightening may damage the product.
- Install the washers and cap nuts to the hanger bolts. Level the lavatory, and carefully tighten the cap nuts until snug.
- Connect and tighten the trap to the drain. Complete the water supply connections to the faucet according to the instructions packed with the faucet.
- Apply silicone sealant around the pedestal foot.