

BLACK DIAMOND®

Project Name: _____

Location: _____

Item #: _____

Qty: _____

Black Diamond Refrigerated Salad/Sandwich Prep Table, 1 Door, 27" in Stainless Steel

GRSL-1D



Elevate your commercial kitchen operations with the Black Diamond Refrigerated Salad and Sandwich Prep Table, perfect for delis, cafes, and restaurants. Crafted with a robust stainless steel exterior and a single solid stainless steel door, this prep table offers a 6 cubic feet capacity, ensuring ample storage. Maintain optimal freshness with a temperature range of 33° to 40°F. Equipped with R290 refrigerant, it ensures efficient cooling. The fully automatic controller simplifies operation, while easy cleaning enhances convenience.

FEATURES AND CONSTRUCTION

- 6 Cu. Ft. capacity provides ample storage for ingredients
- Equipped with a 0.5 horsepower compressor for efficient cooling
- Constructed from high-quality stainless steel for durability
- Maintains a temperature range of 33° to 40°F for optimal food freshness
- Utilizes R290 refrigerant for eco-friendly operation
- Operates on 115V with a NEMA-5-15P plug for standard outlets
- Features adjustable shelving for customizable storage options
- Comes with four casters for easy mobility in any setting
- User-friendly design with a fully automatic temperature controller
- Includes a convenient cutting board for easy food preparation

ELECTRIC

115VV / 60Hz / 1Ph

Cord Length (Inches): 98.40"

Plug Type: NEMA 5-15P

Cord set included

NEMA 5-15P



3RD PARTY APPROVALS



WARRANTY (USA / CANADA)

Two (2) Year Limited Warranty on Parts and Labor, Five (5) Year Warranty on Compressor and Evaporator

Contact us for details at 1.877.368.2797



STORAGE CAPACITY

- Cubic Feet: 6 cu. ft.

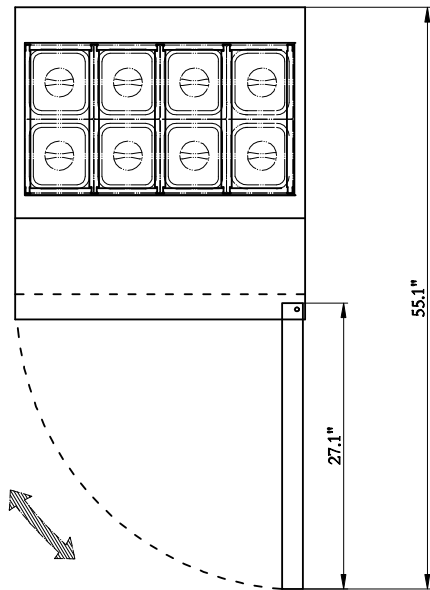
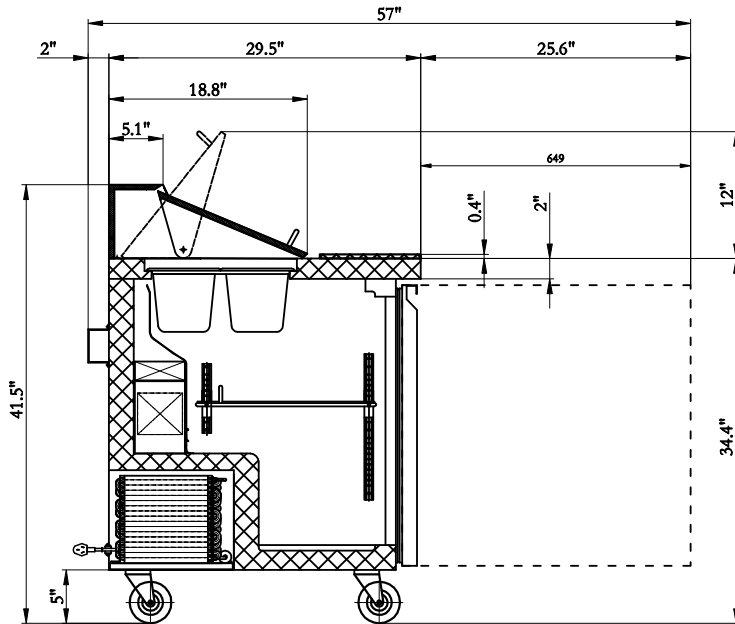
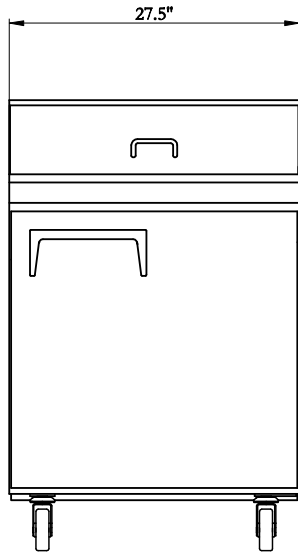
TEMPERATURE

- Holding Temperature (Fahrenheit): 33° - 40°

These models are designed to operate in an environment where temperature and humidity do not exceed 75°F (24°C) and 55% relative humidity

FRONT

SIDE



TOP

Prep Table

Doors	Shelves	Amps	HP	Refrigerant	Capacity	Assembled Dimensions (in)	Item Weight (lbs)	Shipping Weight (lbs)
1	1	3.6A	1/5	R290 2.824	6 cu. ft.	27.50" x 29.50" x 42.30"	176.0	231.0

Due to periodic changes in designs, methods, procedures, policies and regulations, the specifications contained in this document are subject to change without notice. While we exercise good faith efforts to provide information that is accurate, we are not responsible for errors or omissions in information provided or conclusions reached as a result of using the specifications. By using the information provided, the user assumes all risks in connection with such use.