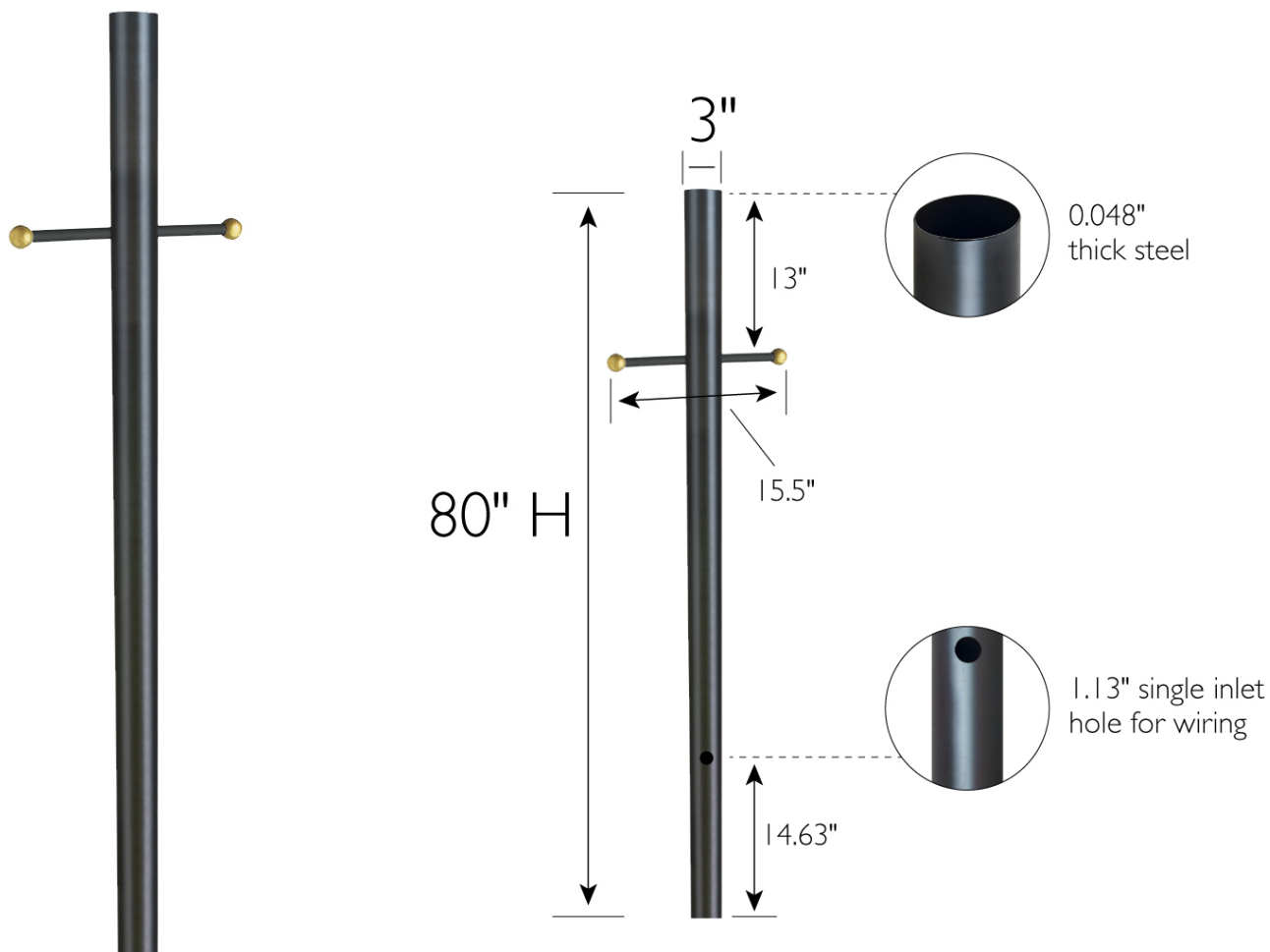


Outdoor Lamp Post with Cross Arm  
Black



**SPECIFICATIONS**

MOUNTING:	Direct Burial
MATERIAL CONSTRUCTION:	Steel
ASSEMBLED DIMENSIONS:	80" H x 3" L x 3" D
WEIGHT:	9.72 lbs.

WARRANTY:	10-Year limited warranty
UL/ETL CERTIFICATION:	N/A
WET/DRY/DAMP LISTING:	N/A
ADA COMPLIANT:	N/A
ENERGY STAR CERTIFIED:	N/A



TYPE:  
JOB:  
ORDER CODE:  
APPROVALS:

Maple Street Outdoor Post Top Light  
Black



**SPECIFICATIONS**

<b>MOUNTING:</b>	Post Top Mount	<b>LED BRIGHTNESS (LUMENS):</b>	N/A
<b>SLOPED CEILING ADAPTABLE:</b>	No	<b>LED COLOR CORRELATED TEMPERATURE (CCT):</b>	N/A
<b>LAMP TYPE 1:</b>	Maximum 100W Medium Base Bulb	<b>LED COLOR RENDERING INDEX (CRI):</b>	N/A
<b>BULB INCLUDED:</b>	No	<b>LED EFFICACY:</b>	N/A
<b>WATTS PER BULB:</b>	100W	<b>LED AVERAGE RATED LIFE:</b>	N/A
<b>TOTAL WATTAGE:</b>	100W	<b>ENERGY EFFICIENT:</b>	No
<b>DIMMABLE:</b>	Yes	<b>LIGHTING AMPS:</b>	N/A
<b>MATERIAL CONSTRUCTION:</b>	Steel	<b>VOLTAGE:</b>	120V
<b>ASSEMBLED DIMENSIONS:</b>	6" L x 16.25" H x 6" D		
<b>WEIGHT:</b>	2.49 lbs.		

<b>BACKPLATE DIMENSIONS:</b>	N/A
<b>CANOPY CEILING DIMENSIONS:</b>	N/A
<b>GLASS/SHADE DIMENSIONS:</b>	N/A
<b>GLASS/SHADE MATERIAL:</b>	Glass
<b>GLASS/SHADE TYPE:</b>	Clear
<b>GLASS/SHADE COLOR:</b>	Clear

<b>WARRANTY:</b>	10-Year limited warranty
<b>UL/ETL CERTIFICATION:</b>	ETL
<b>WET/DRY/DAMP LISTING:</b>	Wet
<b>ADA COMPLIANT:</b>	No
<b>ENERGY STAR CERTIFIED:</b>	No



TYPE:  
JOB:  
ORDER CODE:  
APPROVALS: