
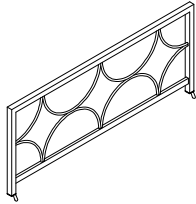
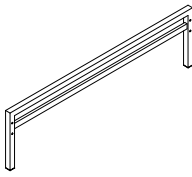
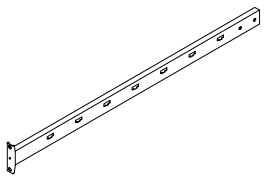
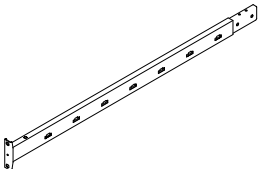
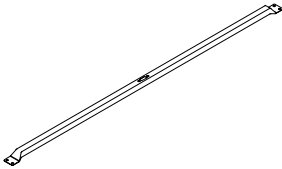
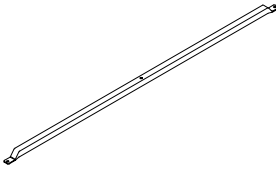
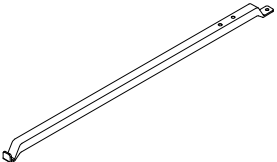


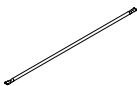
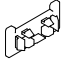
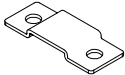

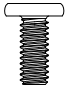



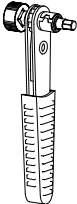
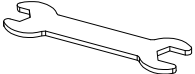


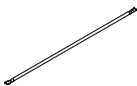
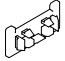
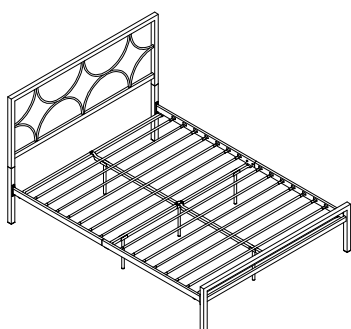


# ASSEMBLY INSTRUCTION

## ASTROID METAL PLATFORM FULL/QUEEN BED

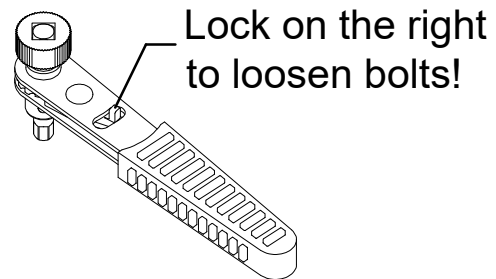
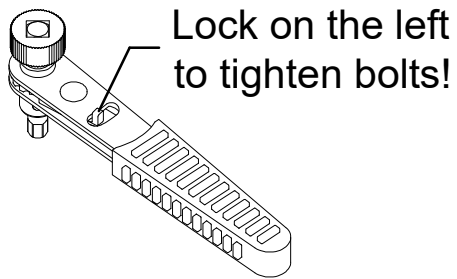
<b>A</b> Headboard Leg 	<b>B</b> Headboard 	<b>C</b> Footboard 	<b>D</b> Front Side Rail 
<b>E</b> Rear Side Rail 	<b>F</b> Center Cross Bar 	<b>G</b> Side Cross Bar 	<b>H</b> Center Rail 
<b>I</b> Center Support Leg 	<b>J</b> Support Leg 	<b>K</b> Slat 	<b>L</b> Slat Connector 
<b>M</b> Bracket 65 x 25 x 2mm 	<b>N</b> Bolt 1/4" x 19mm 	<b>O</b> Bolt 5/16" x 19mm 	<b>P</b> Bolt 1/4" x 17.5mm 
<b>Q</b> Bolt 1/4" x 40mm 	<b>R</b> Nut 1/4" 	<b>S</b> Ratchet Tool 4mm 	<b>T</b> Wrench 1/4" x 5/16" 
<b>U</b> Slat 4PCS 	<b>V</b> Slat Connector 4PCS 	<b>W</b> Slat 1PC 	<b>X</b> Slat Connector 1PC 



This page lists all the contents included in the box. Please take the time to identify the hardware as well as the individual components to this product. As you unpack and prepare for assembly, place the contents on a carpeted or padded area to protect them from damage.

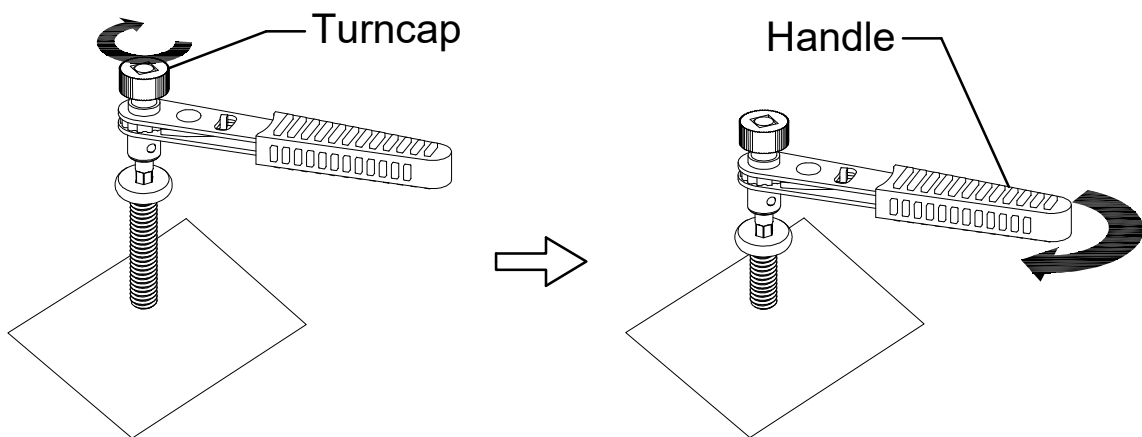
# How to Use the Ratchet Tool (S)

1. Before assembling the furniture, please adjust the lock as needed.

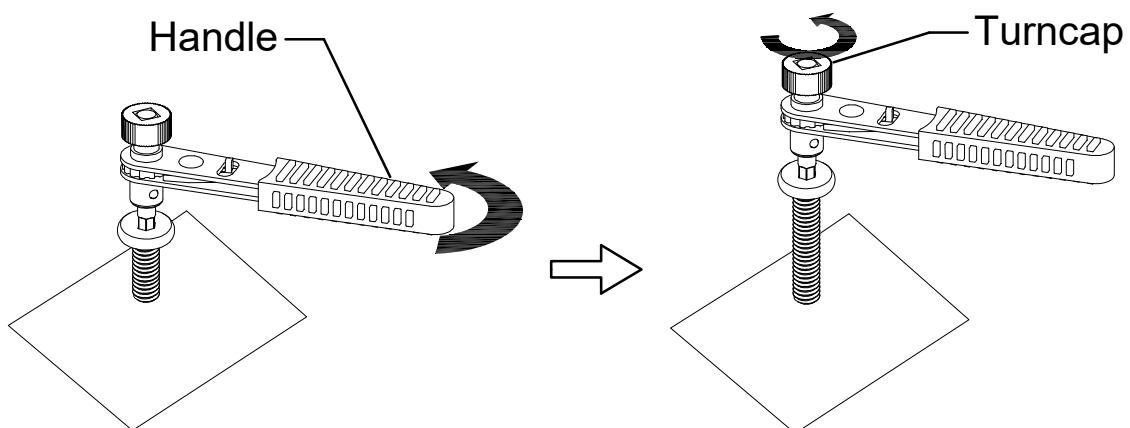


2. Tighten or loosen bolts.

- **Tighten bolts:** Locate the turncap and rotate it clockwise to screw the bolt quickly until it cannot be rotated any more. Then start rotating the handle clockwise to finalize tightening the bolt.

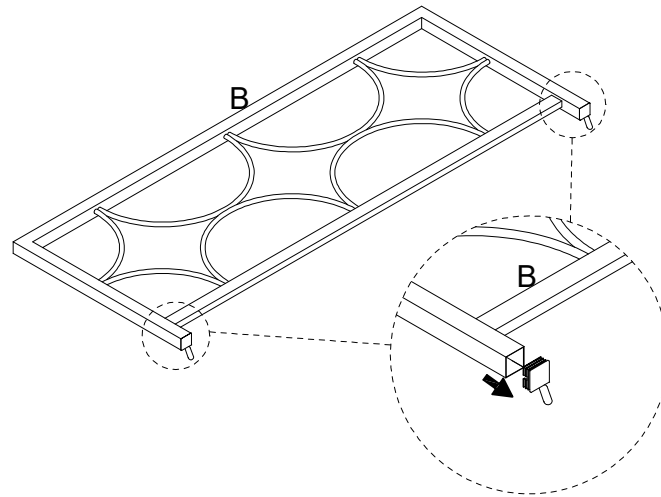


- **Loosen bolts:** Rotate the handle counterclockwise to loosen the bolt. Then continue rotating the turncap in the same direction to remove the bolt completely.



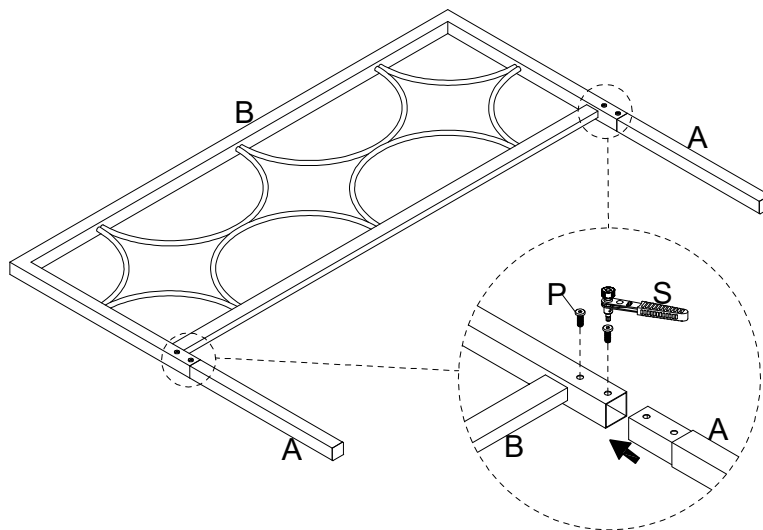
1

Remove the plastic plugs from the Headboard (B).



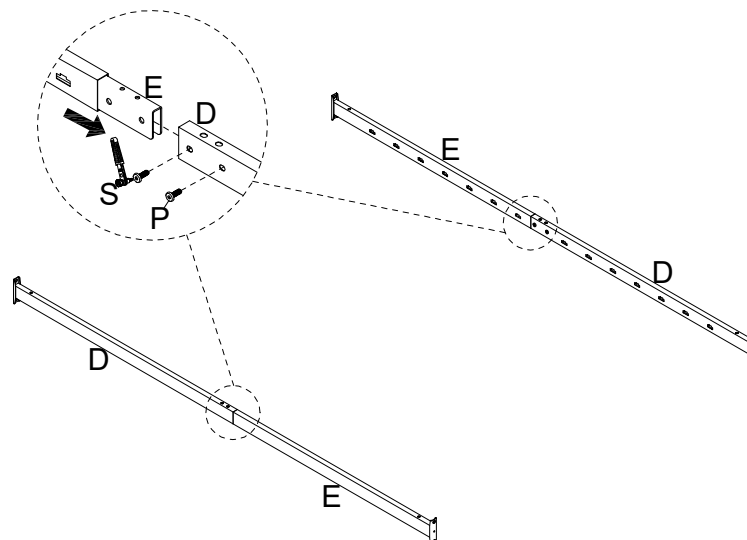
2

Attach the Headboard Leg (A) to Headboard (B), insert the Bolt (P), turn the Ratchet Tool (S) to tighten them.



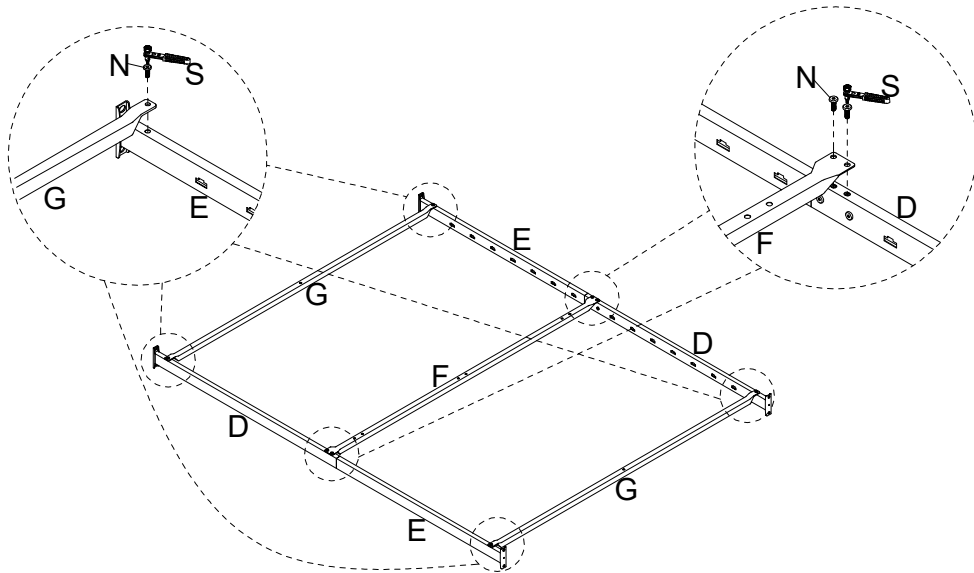
3

Attach the Rear Side Rail (E) to Front Side Rail (D), insert the Bolt (P), turn the Ratchet Tool (S) to tighten them.

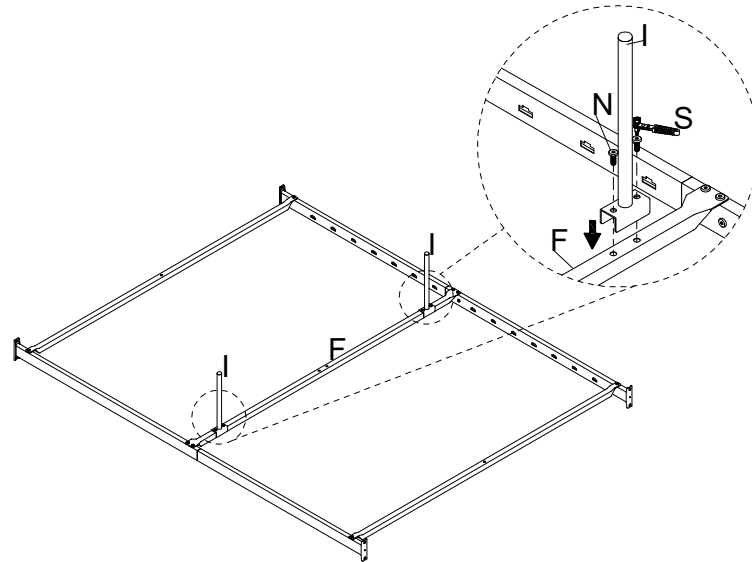


**4**

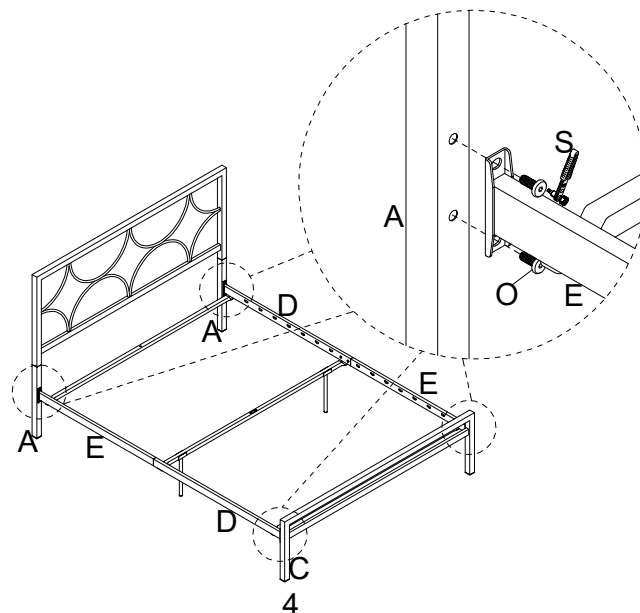
Attach the Side Cross Bar (G) and Center Cross Bar (F) to Side Rails (D & E), insert the Bolt (N), turn the Ratchet Tool (S) to tighten them.

**5**

Attach the Center Support Leg (I) to Center Cross Bar (F), insert the Bolt (N), turn the Ratchet Tool (S) to tighten them.

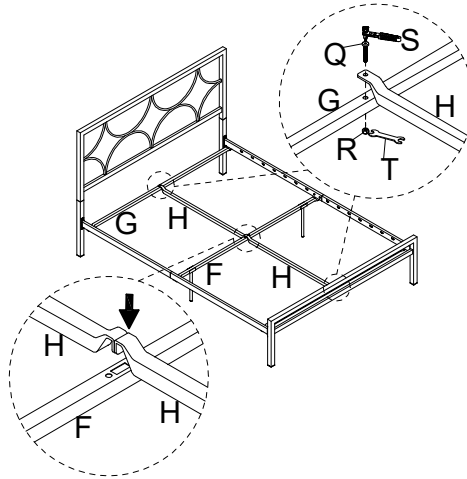
**6**

Attach the Headboard Leg (A) and Footboard (C) to Side Rails (D & E), insert the Bolt (O), turn the Ratchet Tool (S) to tighten them.

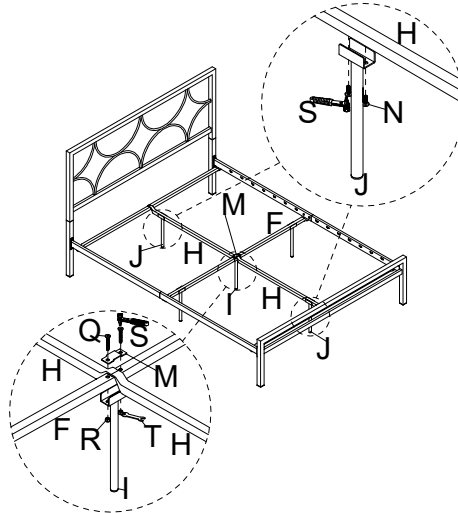


**7**

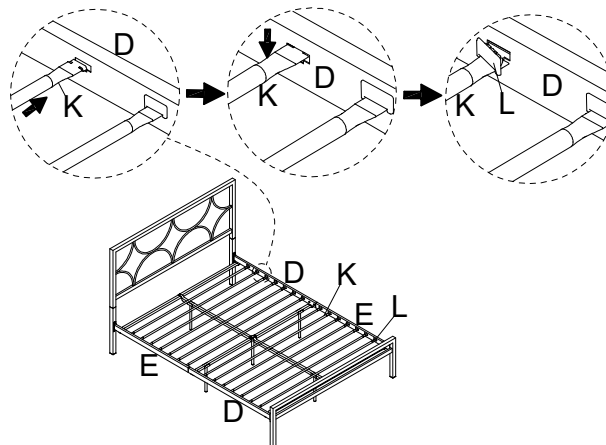
Attach the Center Rail (H) to Center Cross Bar (F) and Side Cross Bar (G), insert the Bolt (Q) and Nut (R), turn the Ratchet Tool (S) and Wrench (T) to tighten them.

**8**

Attach the Support Leg (J) to Center Rail (H), insert the Bolt (N), turn the Ratchet Tool (S) to tighten them. Attach the Center Support Leg (I) and Bracket (M) to Center Cross Bar (F), insert the Bolt (Q) and Nut (R), turn the Ratchet Tool (S) and Wrench (T) to tighten them.

**9**

Insert Slat (K) into Side Rails (D & E) as illustrated, then lock Slat Connector (L) to fix Slat (K).



### Cleaning & Care

Treat surface with care. Surface is resistant to scratches but is not scratch resistant. Clean surfaces with a dry or damp soft cloth. Do not use abrasive cleaners. Hardware may loosen over time. Periodically check that all connections are tight.