

# Installation Instructions

## Vanity

Record your model number:  
Noter le numéro de modèle:  
Anoté su número de modelo: \_\_\_\_\_

Français, page 7  
Español, página 12

**KOHLER®**

# Thank You for Choosing KOHLER

---

**Need help?** Contact our Customer Care Center.

USA/Canada: 1-800-4KOHLER (1-800-456-4537)

Mexico: 001-800-456-4537

For service parts information, visit [kohler.com/serviceparts](http://kohler.com/serviceparts).

For care and cleaning information, visit [kohler.com/clean](http://kohler.com/clean).

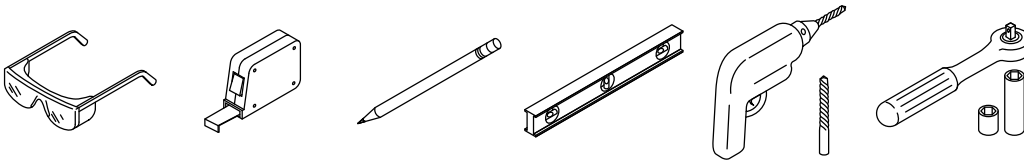
## Warranty

---

This product is covered under the KOHLER® One-Year Limited Warranty, found at [kohler.com/warranty](http://kohler.com/warranty). For a hardcopy of warranty terms, contact the Customer Care Center.

## Tools and Materials

---







**Plus:**

- 5/16" Lag Bolts and Washers [250 lb (113.4 kg)] Load Bearing]
- 2x6s
- Woodworking Tools and Materials

## Before You Begin

---

-  **CAUTION: Risk of product damage.** Do not modify the vanity. Doing so will compromise structural stability.
-  **CAUTION: Risk of personal injury or property damage.** Select 250 lb (113.4 kg) load bearing 5/16" lag bolts with a length to clear obstacles in the wall and 5/16" washers. Calculate the proper lag bolt length by adding the following: 1-1/2" (38 mm) backing material, plus the wallboard thickness, plus the back rail thickness.
-  **CAUTION: Risk of property damage.** To properly support the weight of the vanity and vanity top/sink, secure to stud framing or 2x6 support bracing behind the finished wall.
-  **CAUTION: Risk of product damage.** Use care when moving the cabinet to avoid impacting, sliding, or side-loading the legs.

**NOTICE:** Siliconized acrylic caulk must be used to secure a sink or countertop to the vanity. Do not use 100% silicone sealant which will damage the finish of the vanity.

Follow all local plumbing and building codes.

Your product may appear different from the one illustrated. The installation procedure is the same.

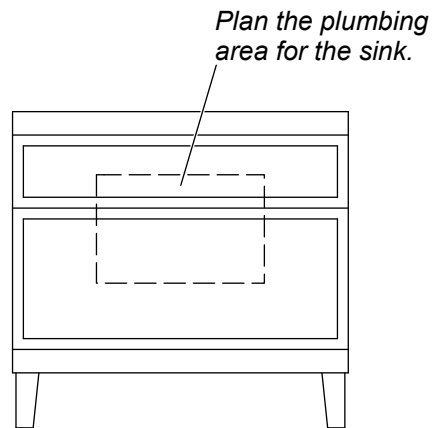
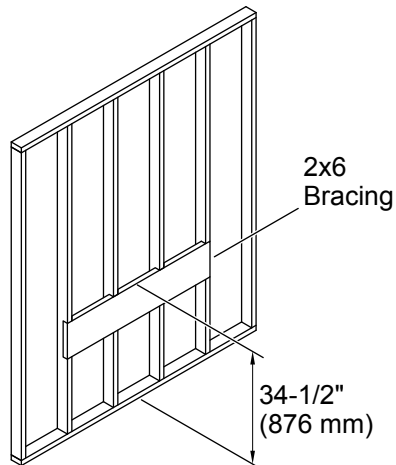
Two people should perform this installation.

This vanity is designed to allow most base moldings to pass behind the vanity.

To ease installation, remove drawers from the vanity before beginning. Refer to the section in this guide for proper removal.

## 1. Prepare the Site

---



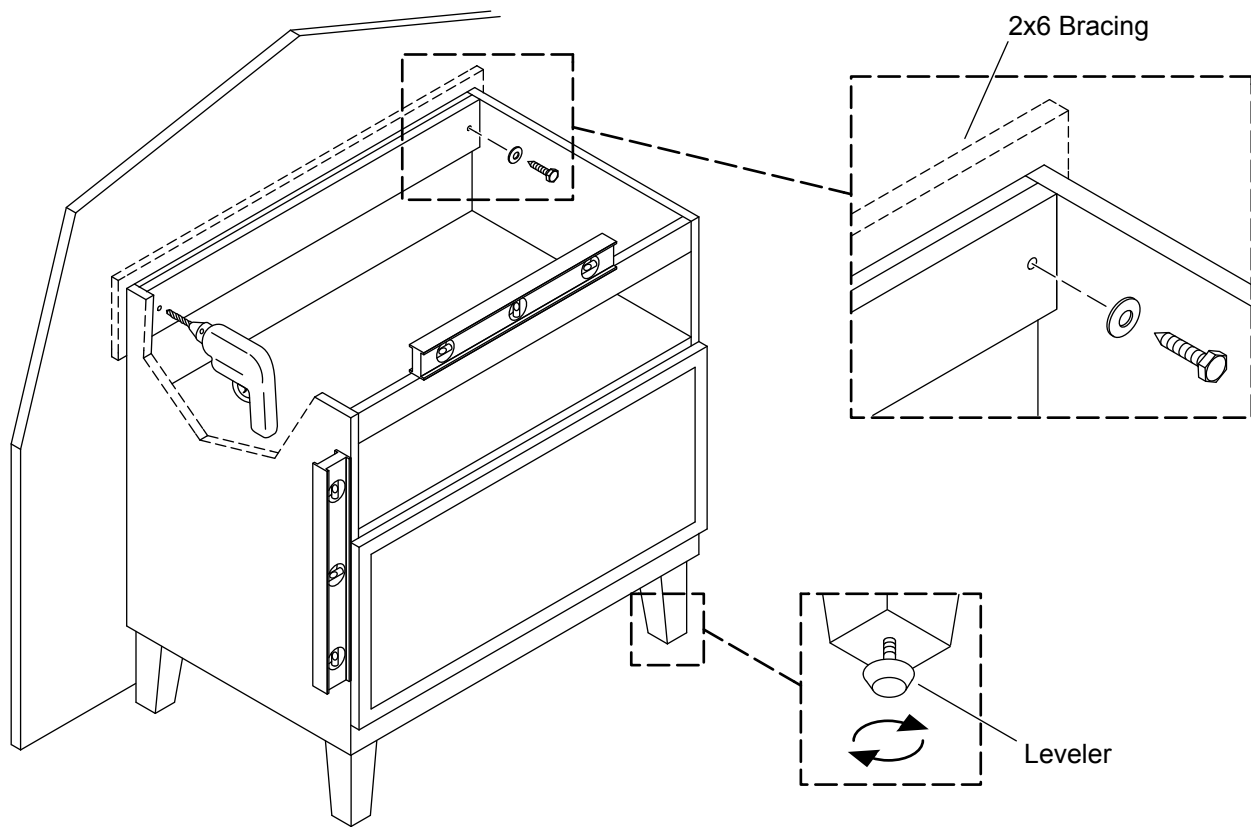
**⚠ CAUTION: Risk of property damage.** To properly support the weight of the vanity and vanity top/sink, secure to stud framing or 2x6 support bracing behind the finished wall.

- If installing 2x6 bracing, front-notch the studs 1-1/2" (38 mm) to ensure that the bracing sits flush against the studs. The bracing should span the length of the vanity.
- Plan for routing supply and drain piping for your desired sink installation.

**NOTICE:** To ensure proper support and alignment: The finished wall must be straight and plumb. The floor must be flat and perpendicular to the finished wall.

- Complete the finished wall.

## 2. Install the Vanity



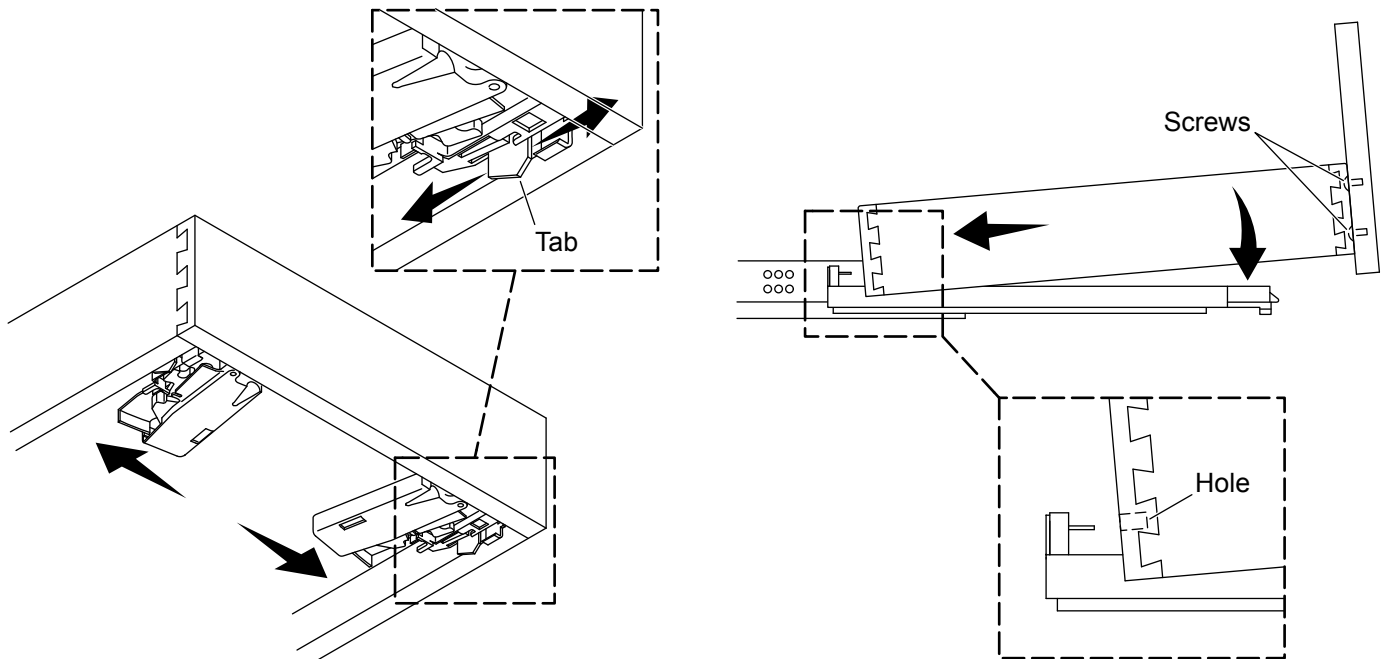
**⚠ CAUTION: Risk of personal injury or property damage.** Select 250 lb (113.4 kg) load bearing 5/16" lag bolts with a length to clear obstacles in the wall and 5/16" washers. Calculate the proper lag bolt length by adding the following: 1-1/2" (38 mm) backing material, plus the wallboard thickness, plus the back rail thickness.

**⚠ CAUTION: Risk of product damage.** Drill the lag bolt pilot holes in the ends of the back rail to provide maximum support and to prevent flexing of the unit.

- With help, lift and place the vanity in position against the finished wall. **Do not drag the vanity into position.**
- Verify that the vanity is level and plumb against the wall. If necessary, turn the leveler(s) to adjust the unit.
- Using a 1/4" drill bit, drill a pilot hole through each end of the back rail and into the finished wall. Verify that the holes align with the 2x6 bracing or a wall stud.
- Secure the vanity to the wall with 5/16" lag bolts and washers (not provided). The lag bolts should engage the 2x6 bracing or a wall stud.
- Install drawer pulls and optional accessories as desired. Refer to the instructions packed with the accessories.

### 3. Remove/Adjust the Drawer

---



#### Alignment

- To adjust the height and level the drawer, move the tabs underneath the front corners back or forward as needed.
- For fine adjustment of the drawer face, loosen the screws behind the drawer face, then hold the drawer face level while retightening the screws.

#### Removal

- Fully extend the drawer.
- From underneath, press the release latches toward the sides of the drawer.
- Lift the front of the drawer to disengage from the rails.

#### Reinstallation

- Fully extend both rails.
- Rest the back end of the drawer onto the rails and align the rail hooks with the drawer holes.
- Rotate the front of the drawer down onto the rails, engaging the latches with the rails.
- Push the drawer closed to fully snap the latches into the rails and insert the rail hooks into the drawer holes.
- Lightly lift the front of the drawer to verify that it is fully engaged with both rails. If not engaged, repeat the "Reinstallation" procedure.