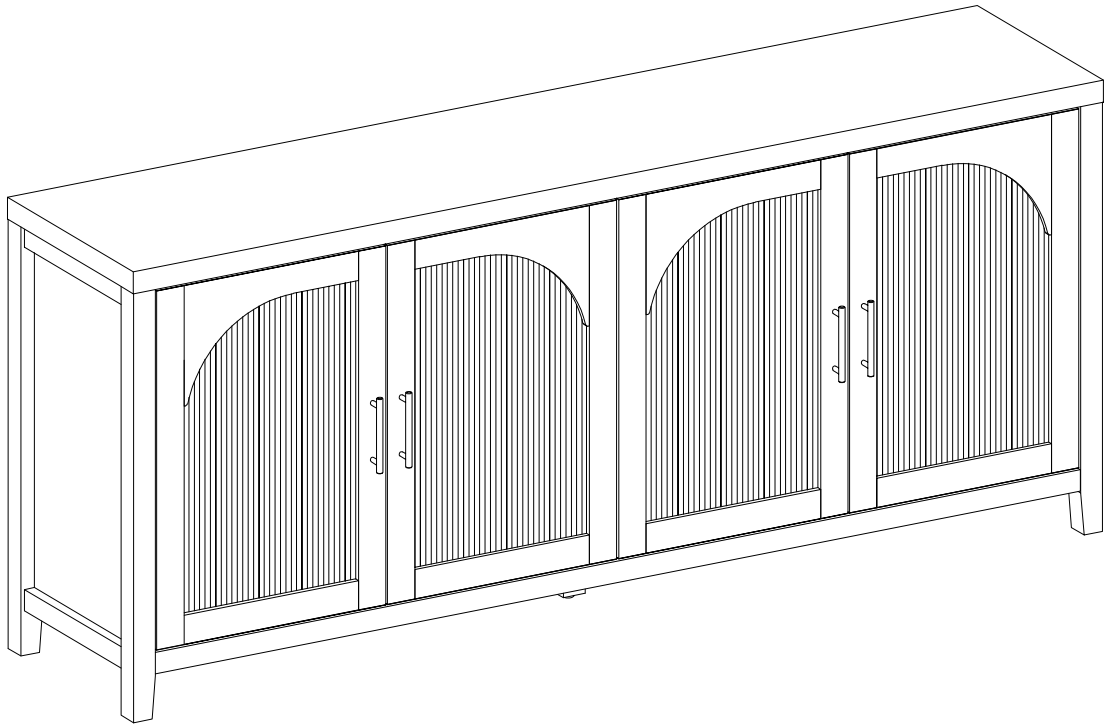


**WALKER EDISON**  
TM

## Sasha 60" Sideboard

SKU# WESAS11604



**For Residential Use Only**

Please visit our website for the most current instructions, assembly tips, report damage, or request parts. [www.walkeredison.com](http://www.walkeredison.com)

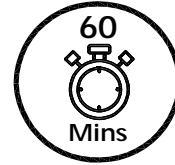


# Time to get started

Set up a clean and soft workplace to get started and avoid damage during the assembly. It also helps to double-check you've got all the pieces and parts before diving in to assembly.

---

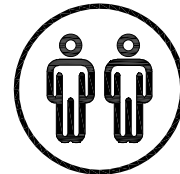
## Estimated time for assembly



---

## People recommended for assembly

Make it a team effort! Grab a friend for quicker, easier assembly.

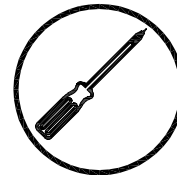


2 People Build

---

## Tools Needed

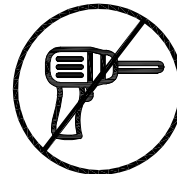
Grab a Phillips head screwdriver to conquer this assembly



---

## Use power tools with caution

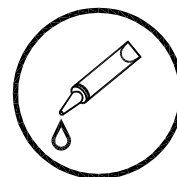
You can cause cracking or damage to the material and easily strip the hardware. If you choose to use a power tool, your product will no longer be covered under Walker Edison's warranty.



---

## Glue is provided to secure wood dowels in place

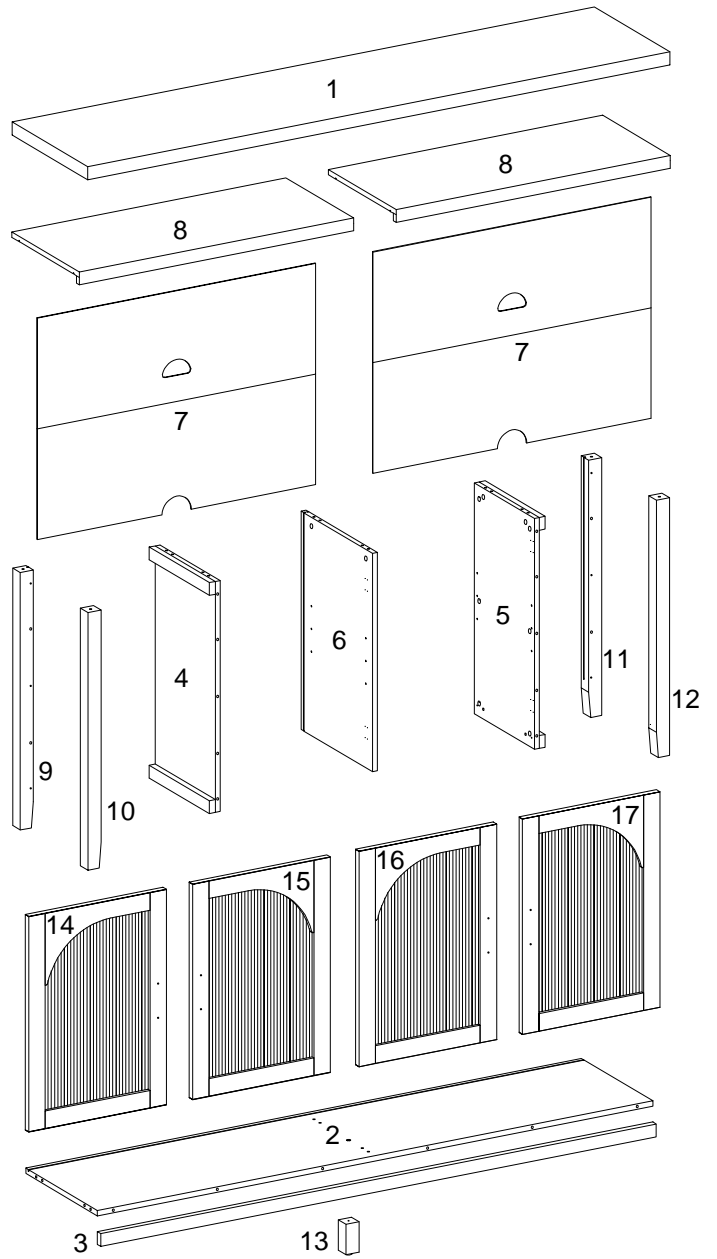
When inserting dowels, locate the appropriate hole, place a small amount of glue in the hole, and then insert the dowel. Wipe away excess glue immediately.



**Scan to get assembly tips and help!**





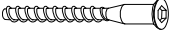


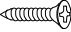

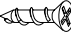

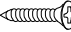
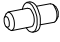
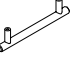
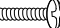
# WE Parts List

| Part Number | Description          | Quantity |
|-------------|----------------------|----------|
| 1           | Top Panel            | 1        |
| 2           | Bottom Panel         | 1        |
| 3           | Front Apron          | 1        |
| 4           | Left Side Panel      | 1        |
| 5           | Right Side Panel     | 1        |
| 6           | Middle Divider Panel | 1        |
| 7           | Back Panel           | 2        |
| 8           | Adjustable Shelf     | 2        |
| 9           | Left Back Leg        | 1        |
| 10          | Left Front Leg       | 1        |
| 11          | Right Back Leg       | 1        |
| 12          | Right Front Leg      | 1        |
| 13          | Middle Foot          | 1        |
| 14          | Left Door            | 1        |
| 15          | Left Center Door     | 1        |
| 16          | Right Center Door    | 1        |
| 17          | Right Door           | 1        |



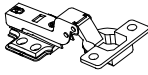

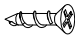
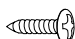
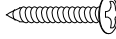

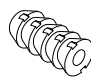
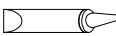


# Hardware List

| Part | Size   | Name              | Quantity |
|------|--|-------------------|----------|
| A    |  8x30mm     | Wooden dowel      | 26       |
| B    |  6x35mm     | Cam bolt          | 26       |
| C    |  15x11mm    | Cam lock          | 26       |
| D    |  30mm       | Sticker           | 26       |
| E    |  6x50mm     | Screw             | 3        |
| F    |  M 4mm      | Hex key           | 1        |
| G    |           | Door stopper      | 2        |
| H    |  4x14mm   | Screw             | 4        |
| J    |           | L shape bracket   | 2        |
| K    |  4x15mm   | Screw             | 4        |
| L    |           | Plastic wedge     | 16       |
| M    |  3x17mm   | Screw             | 16       |
| N    |  8x5x16mm | Shelf support pin | 8        |
| P    |           | Handle            | 4        |
| Q    |  4x25mm   | Handle Bolt       | 8        |



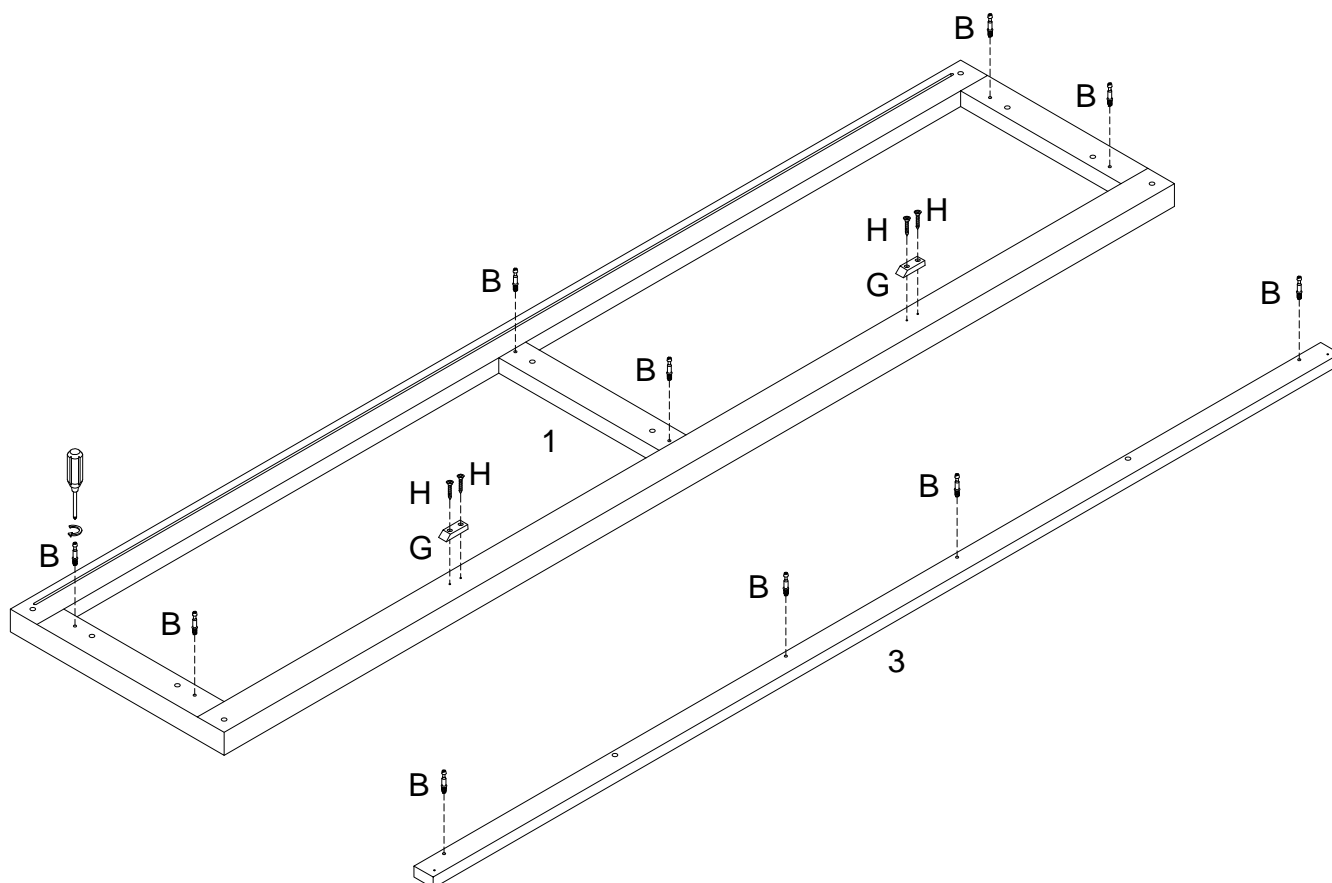
# Hardware List

| Part | Size   | Name          | Quantity |
|------|--|---------------|----------|
| R    |  35mm   | Europe hinge  | 4        |
| S    |  35mm   | Europe hinge  | 4        |
| T    |  4x13mm | Screw         | 48       |
| U    |  4x12mm | Screw         | 2        |
| V    |  4x25mm | Screw         | 2        |
| W    |        | Plastic strap | 2        |
| X    |       | Nut           | 2        |
| Y    |       | Glue tube     | 2        |

*The hardware quantities listed above are required for proper assembly.  
Extra hardware pieces may be included.*

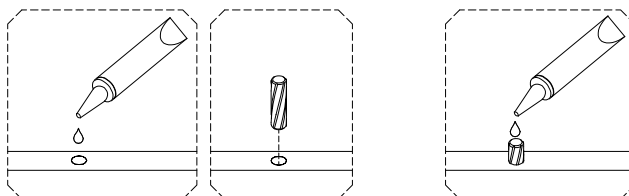
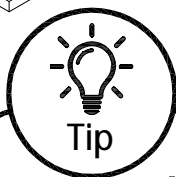
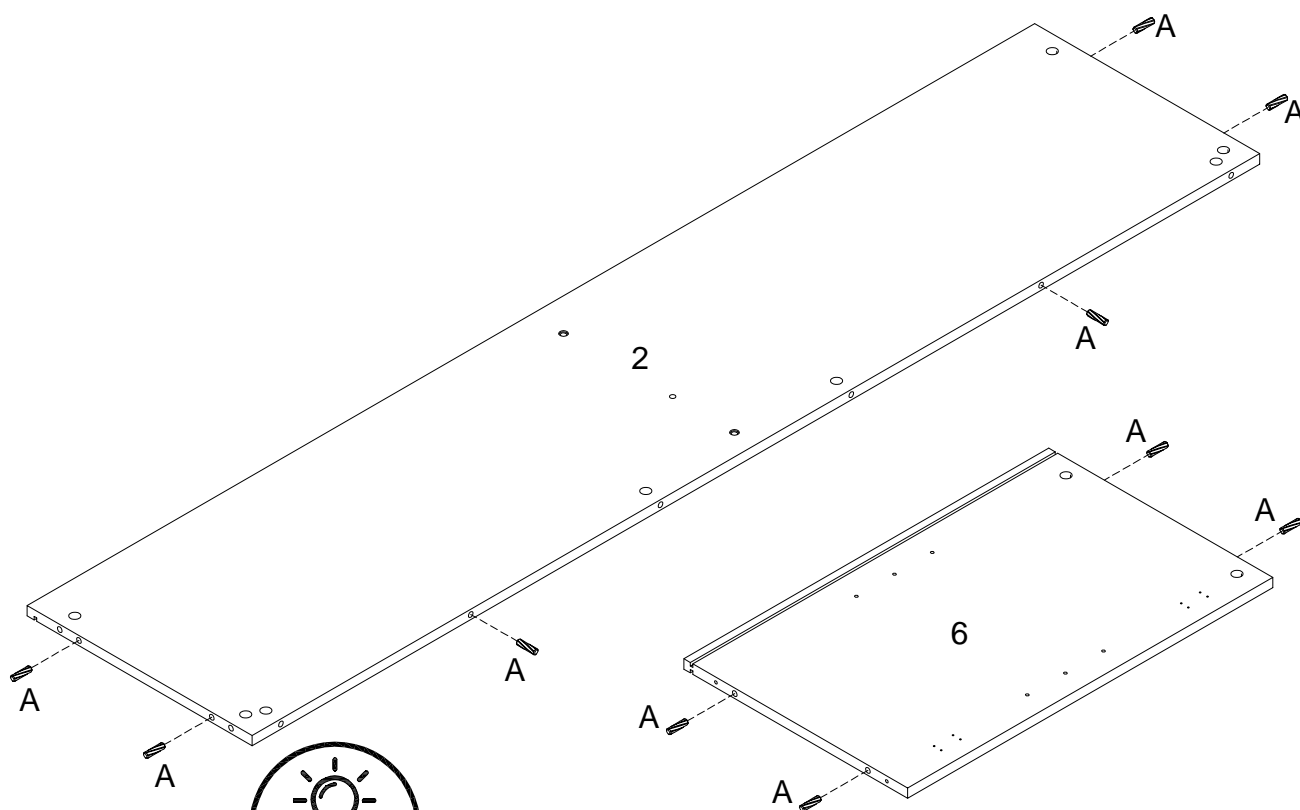
# Step 1

Let's get started, shall we? Using a screwdriver, insert Cam Bolts (B) into the Top Panel (1) and the Front Apron (3). Then, attach the two Door Stoppers (G) to the Top Panel using 14mm Screws (H).



# Step 2

Insert Wooden Dowels (A) into the Bottom Panel (2) and the Middle Divider Panel (6).

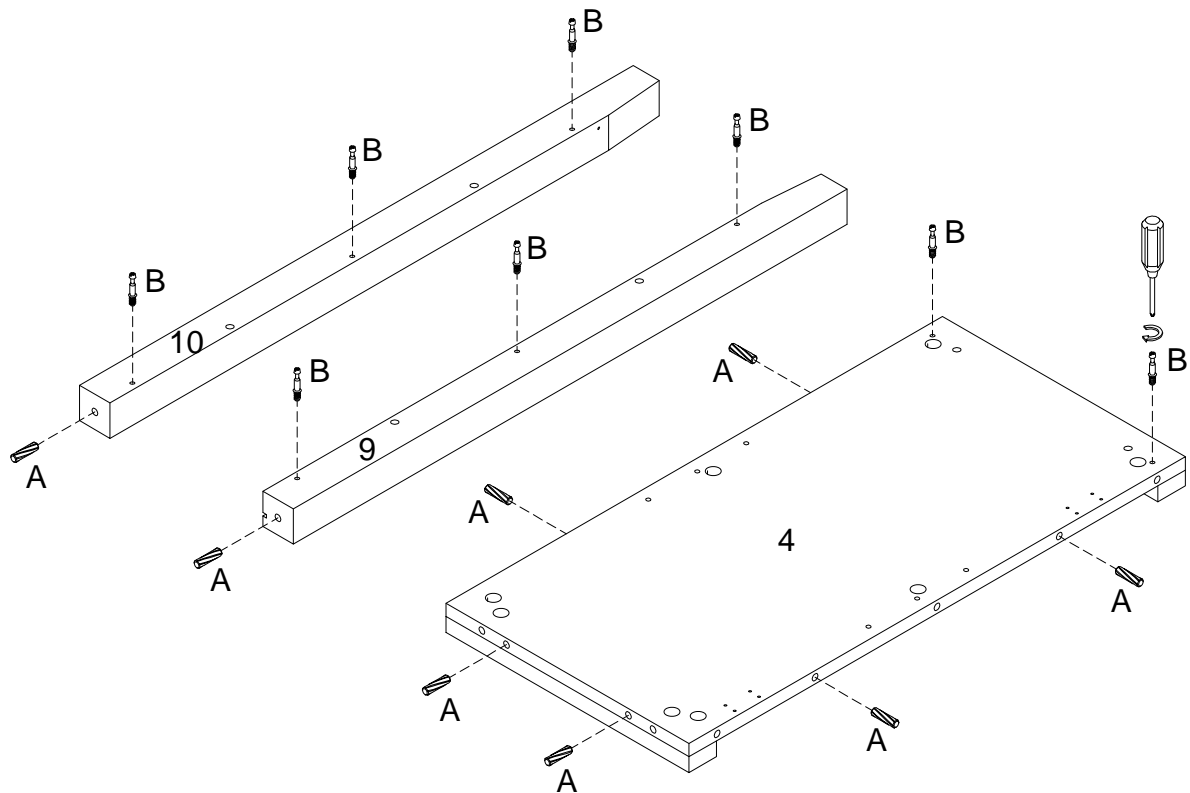


1: The provided glue is to secure wood dowels in place. When first inserting dowels, locate the appropriate hole for the dowel, place a small amount of glue in the hole and insert the dowel. Wipe away excess glue immediately.

2: In future assembly steps when dowels are necessary to attach assembly parts together, place a small amount of glue on the end of the dowel before attaching parts together. Wipe away excess glue immediately.

# Step 3

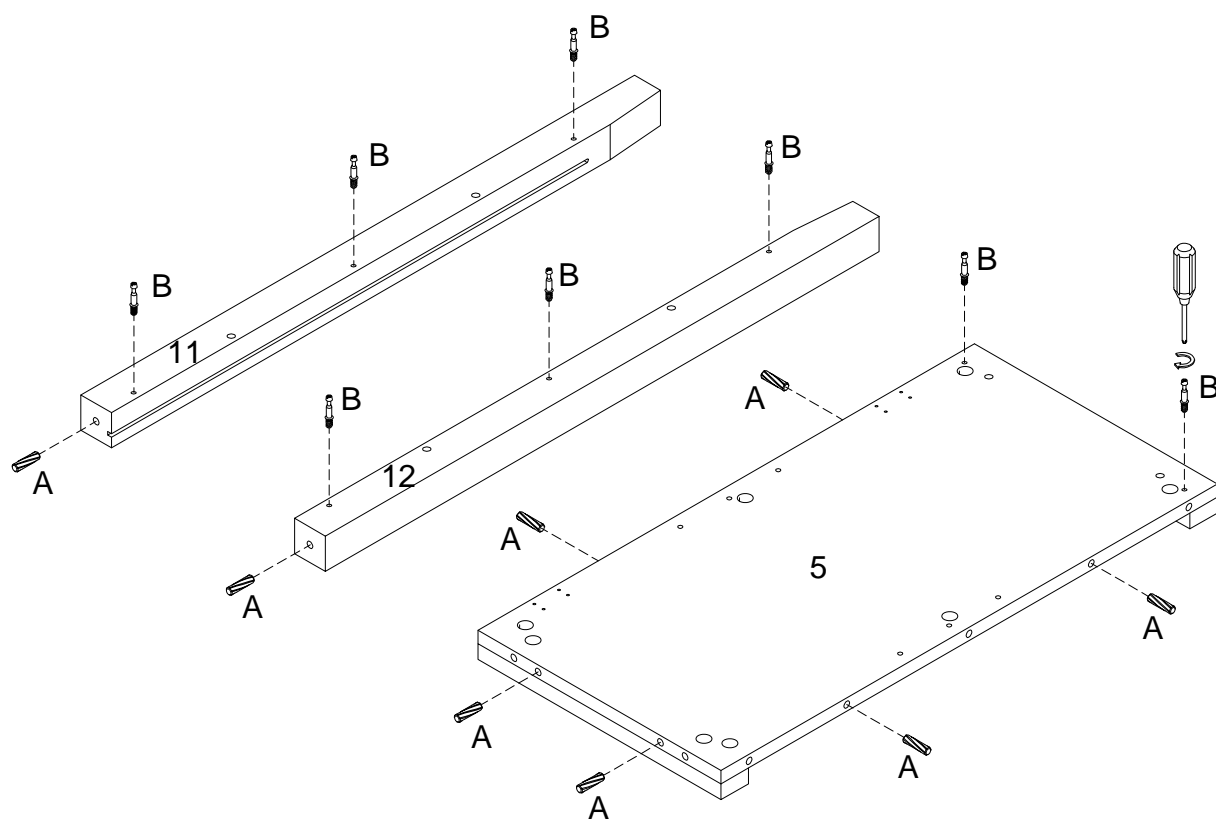
Screw Cam Bolts (B) and insert Wooden Dowels (A) into the Left Side Panel (4), Left Back Leg (9), & Left Front Leg (10).





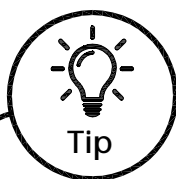
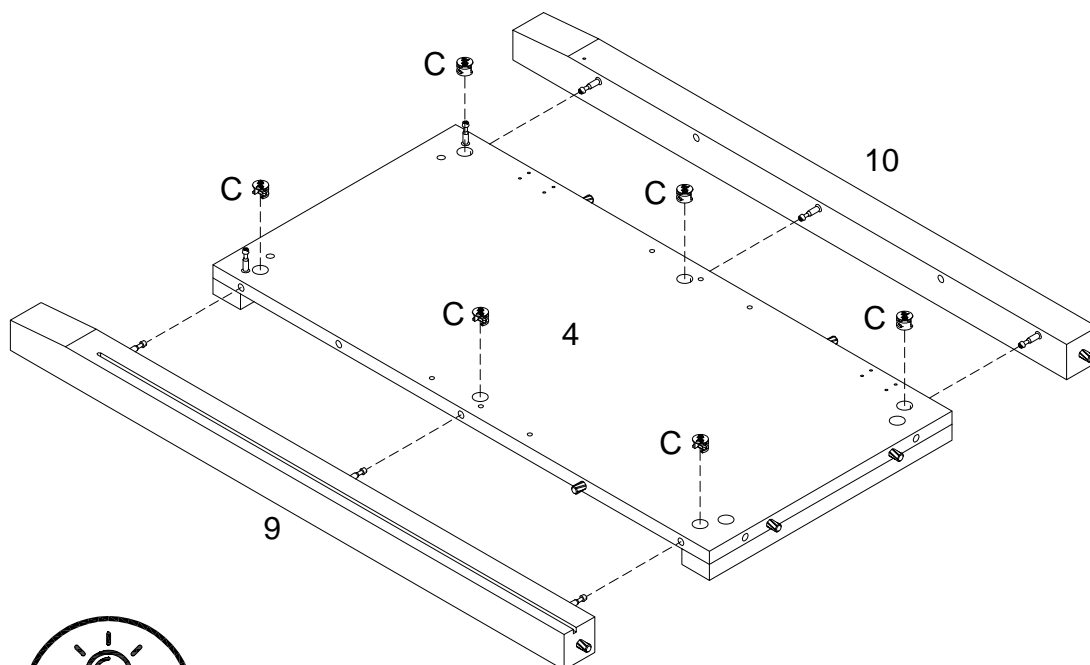
# Step 4

Now, repeat for the other side. Screw Cam Bolts (B) and insert Wooden Dowels (A) into the Right Side Panel (5), Right Back Leg (11), & Right Front Leg (12).



# Step 5

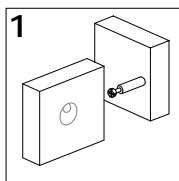
Now, connect the Left Back Leg (9) & Left Front Leg (10) to the Left Side Panel (4). Secure with Cam Locks (C).



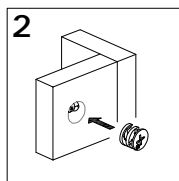
Tip

## Cam Locks

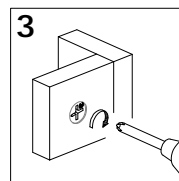
Cam Locks help securely join two pieces together.  
Follow these easy steps.



1: Insert Cam Bolt into bolt holes on the flat side. Don't over tighten!



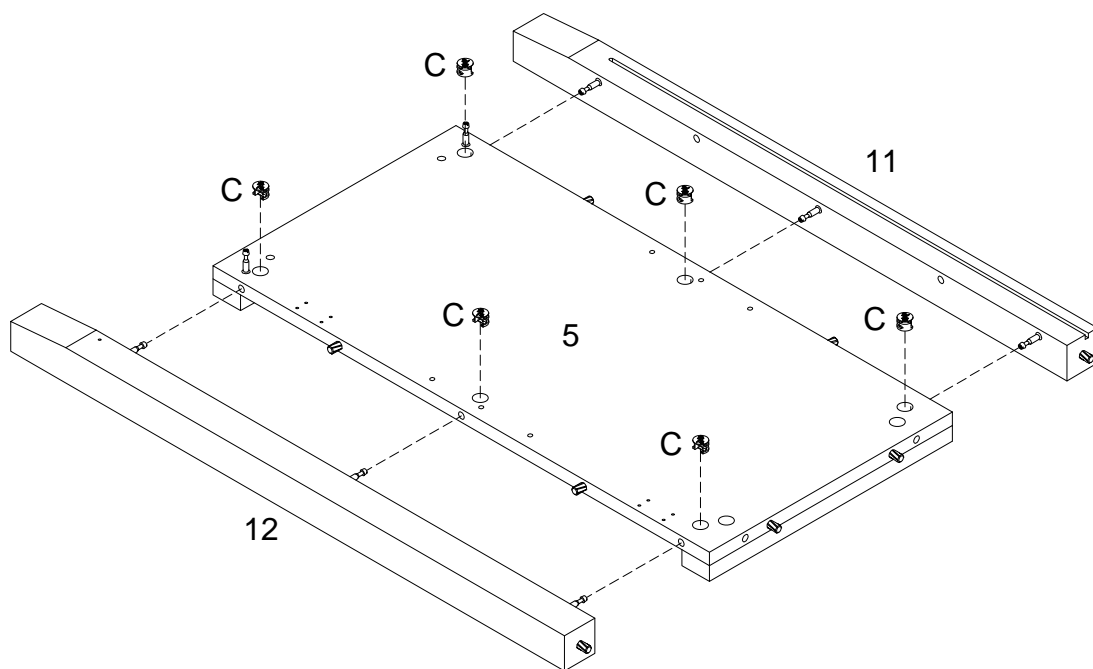
2: Fit the proper holes on the edge of the other part over the Cam Bolts. You should be able to see the cam bolts through the larger hole on the side.



3: On the back of the Cam Lock will be a "C" shape. Insert the Cam Lock so the opening of the "C" fits over the Cam Bolt. Tighten with the screwdriver.

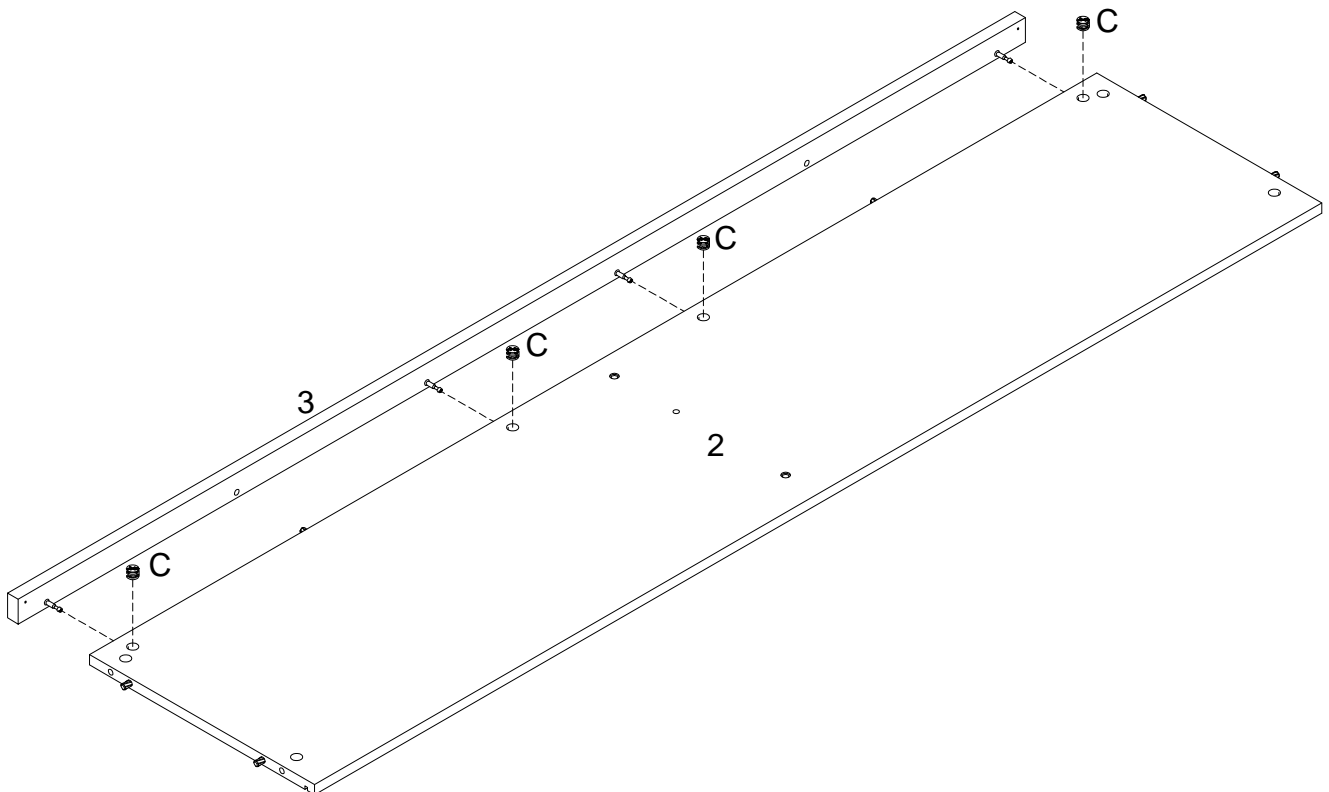
# Step 6

Repeat the same process for the right side. Connect the Right Back Leg (11) & Right Front Leg (12) to the Right Side Panel (5). Secure with Cam Locks (C).



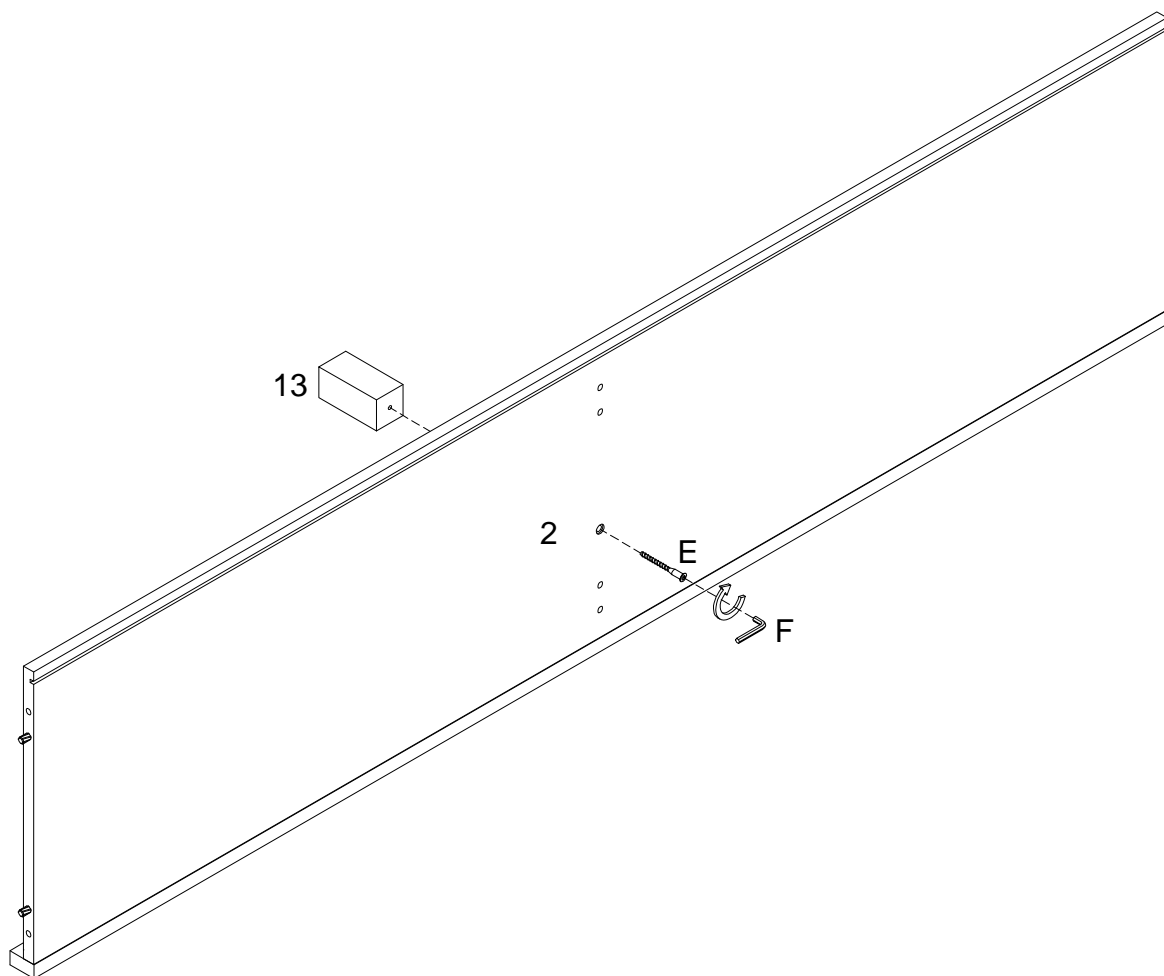
# Step 7

Attach the Front Apron (3) to the Bottom Panel (2) and secure with Cam Locks (C).



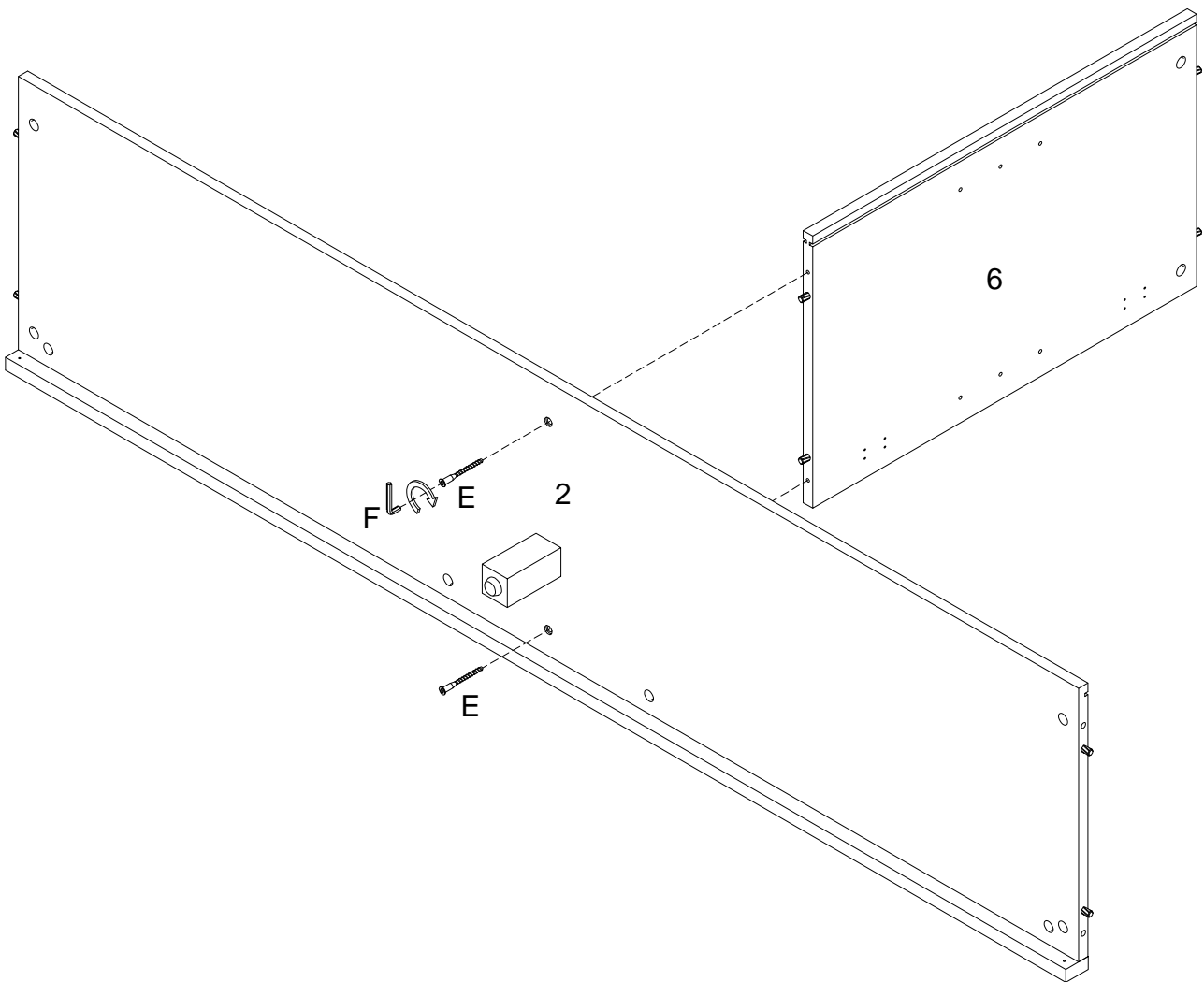
# Step 8

Attach the Middle Foot (13) to the Bottom Panel (2) using a 50mm screw (E). Secure with your Hex Key (F).



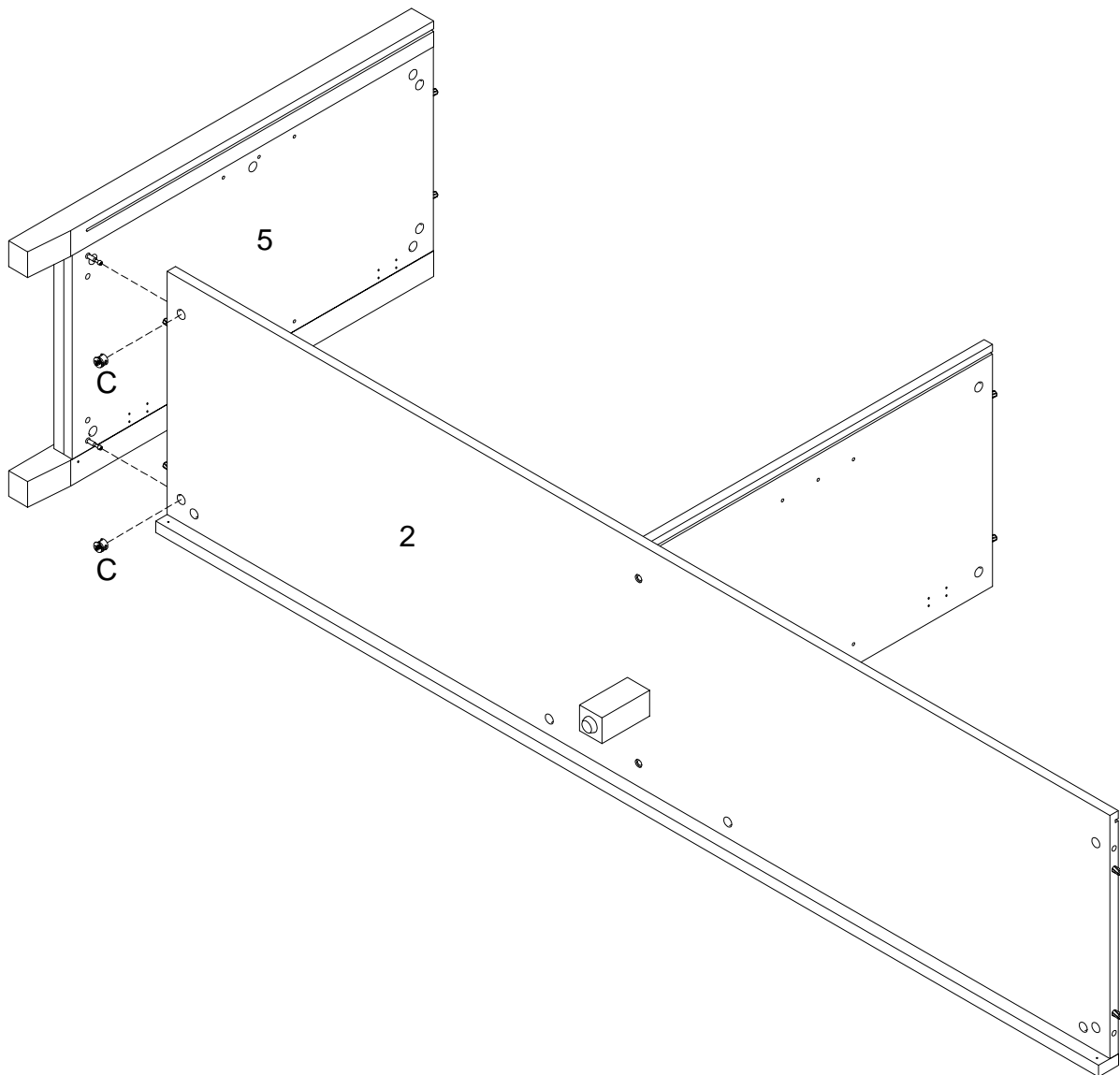
# Step 9

Now, you will attach the Middle Divider Panel (6) to the top of the Bottom Panel (2) using 50mm Screws (E).



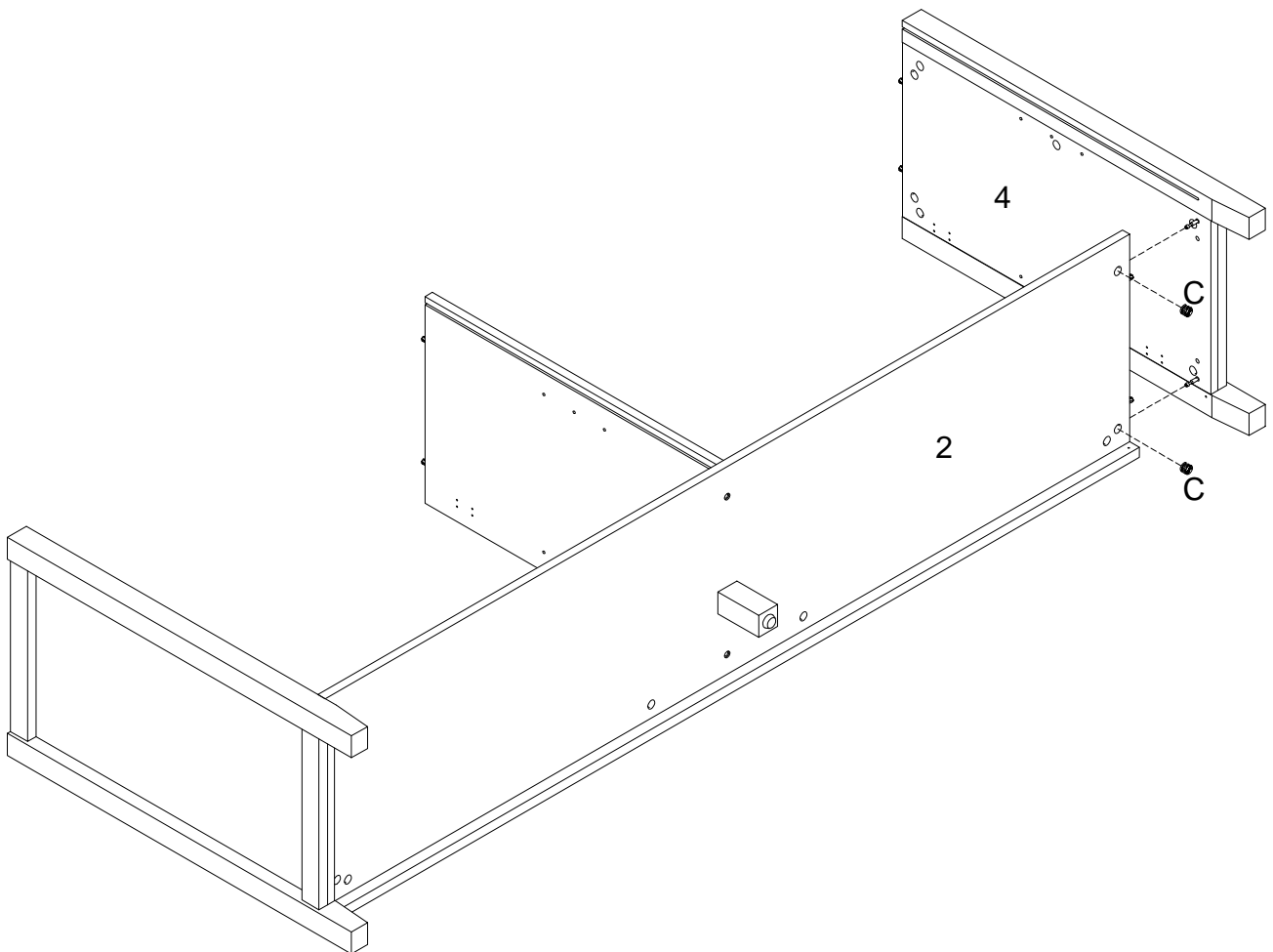
# Step 10

Connect the Right Side Panel (5) to the Bottom Panel (2) and secure with Cam Locks (C)



# Step 11

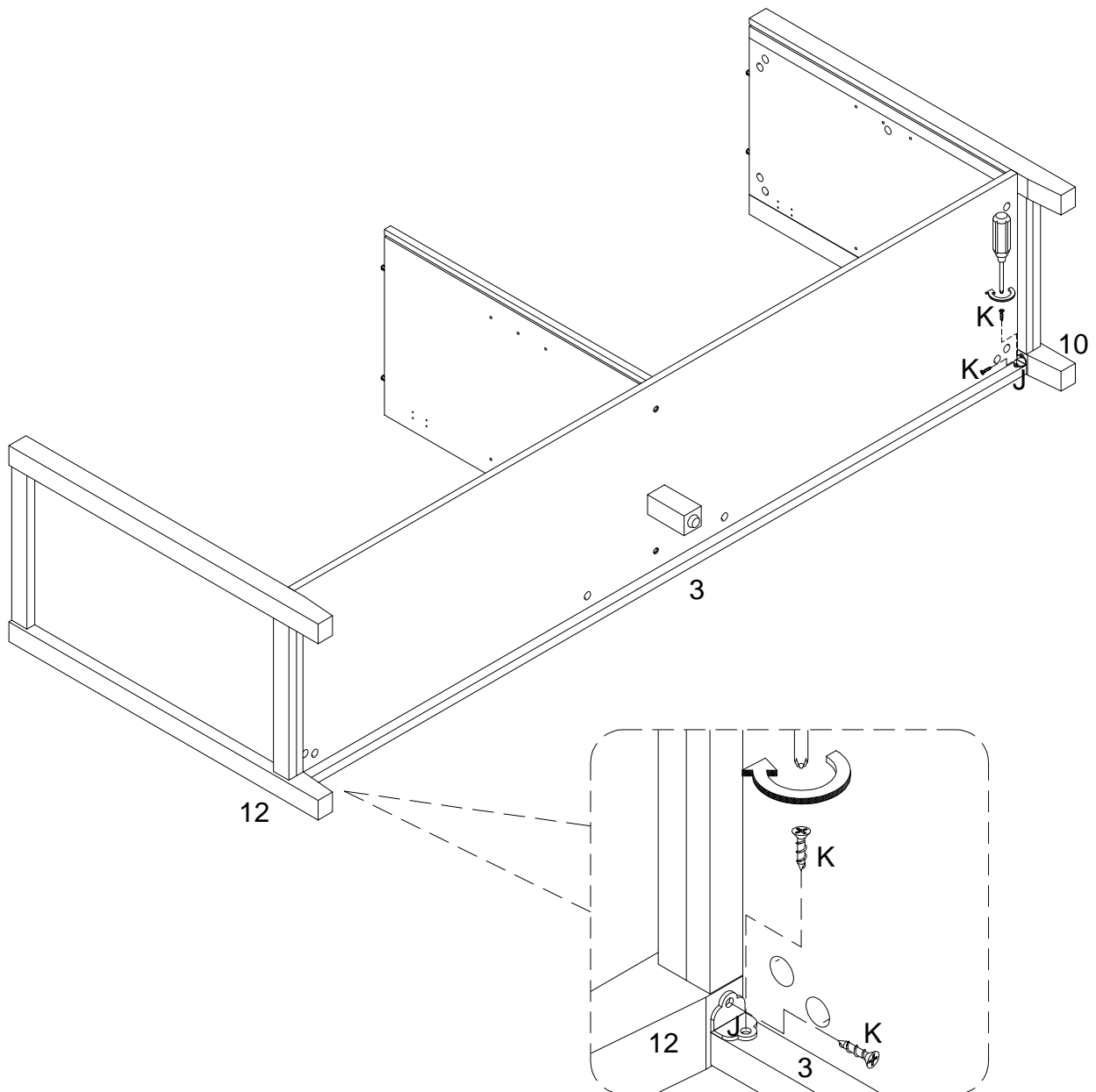
Connect the Left Side Panel (4) to the Bottom Panel (2) and secure with Cam Locks (C).





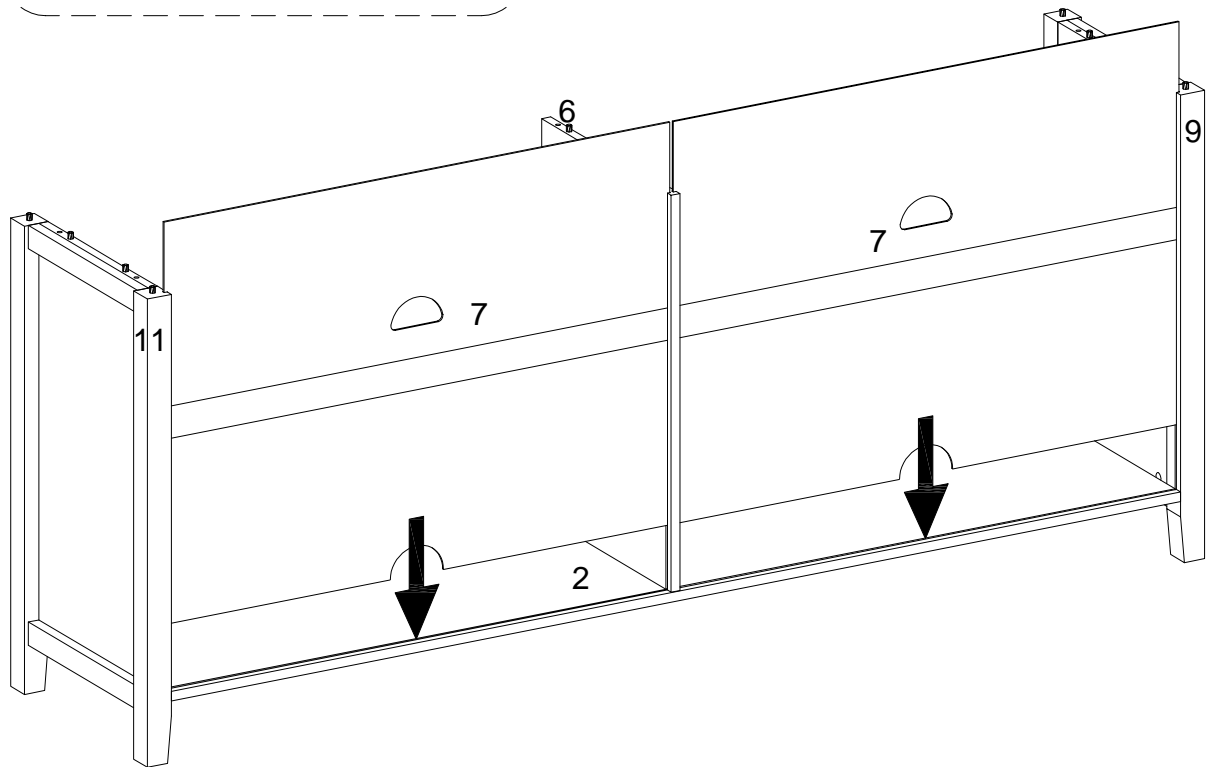
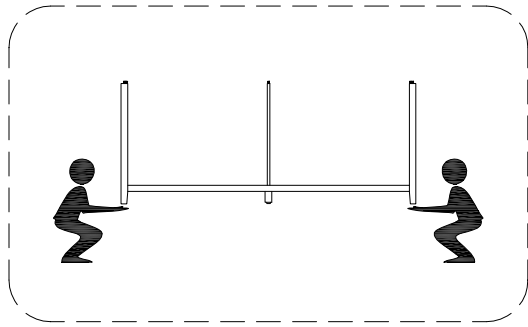
# Step 12

Secure the corners of the Bottom Panel (2) with 15mm Screws (K).



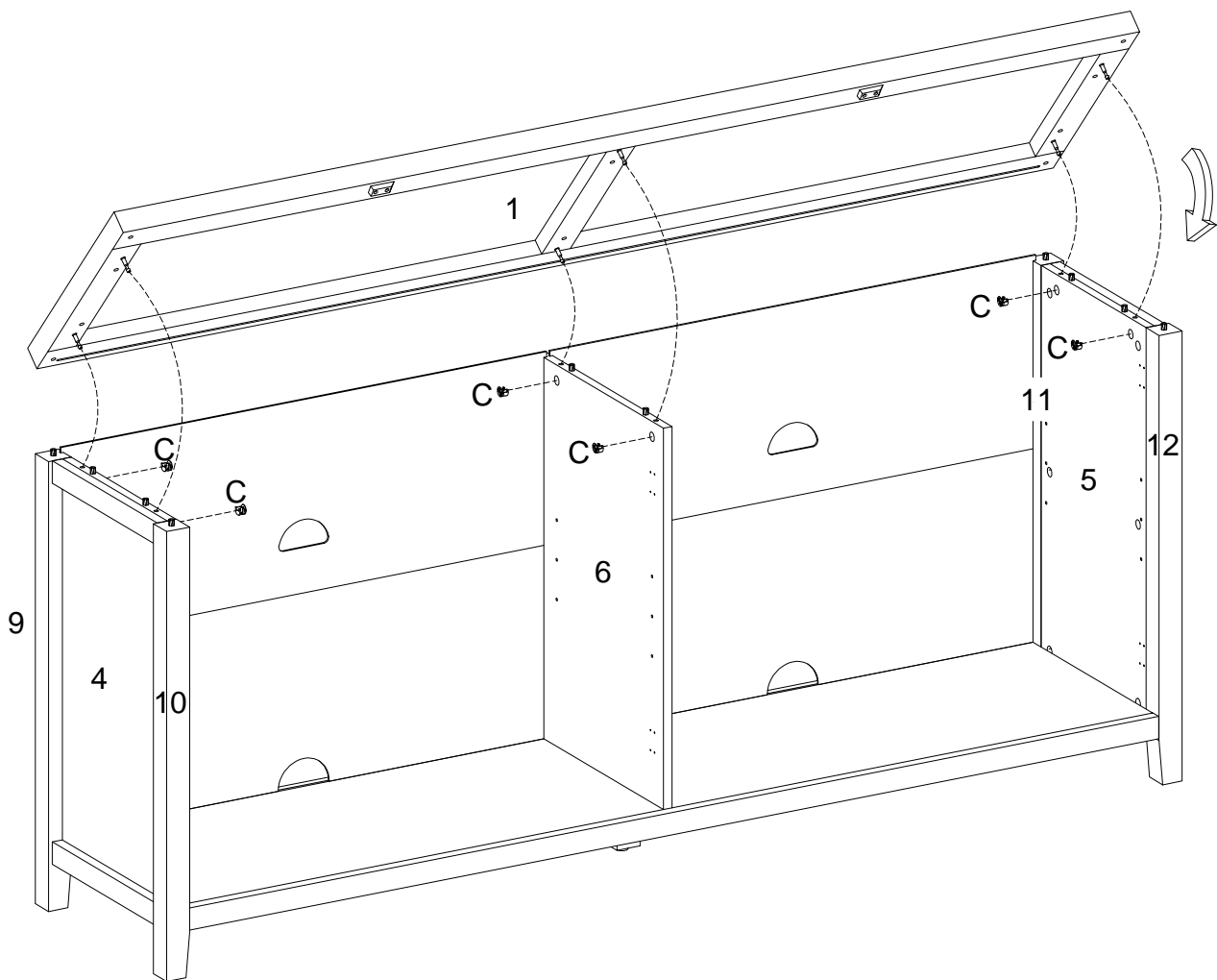
# Step 13

Slide the two Back Panels (7) into place using the grooves.



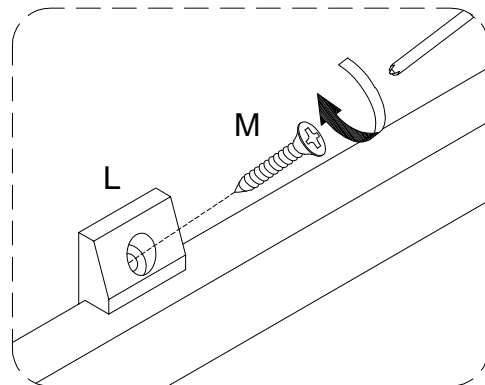
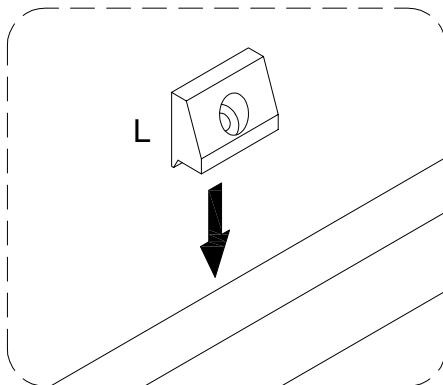
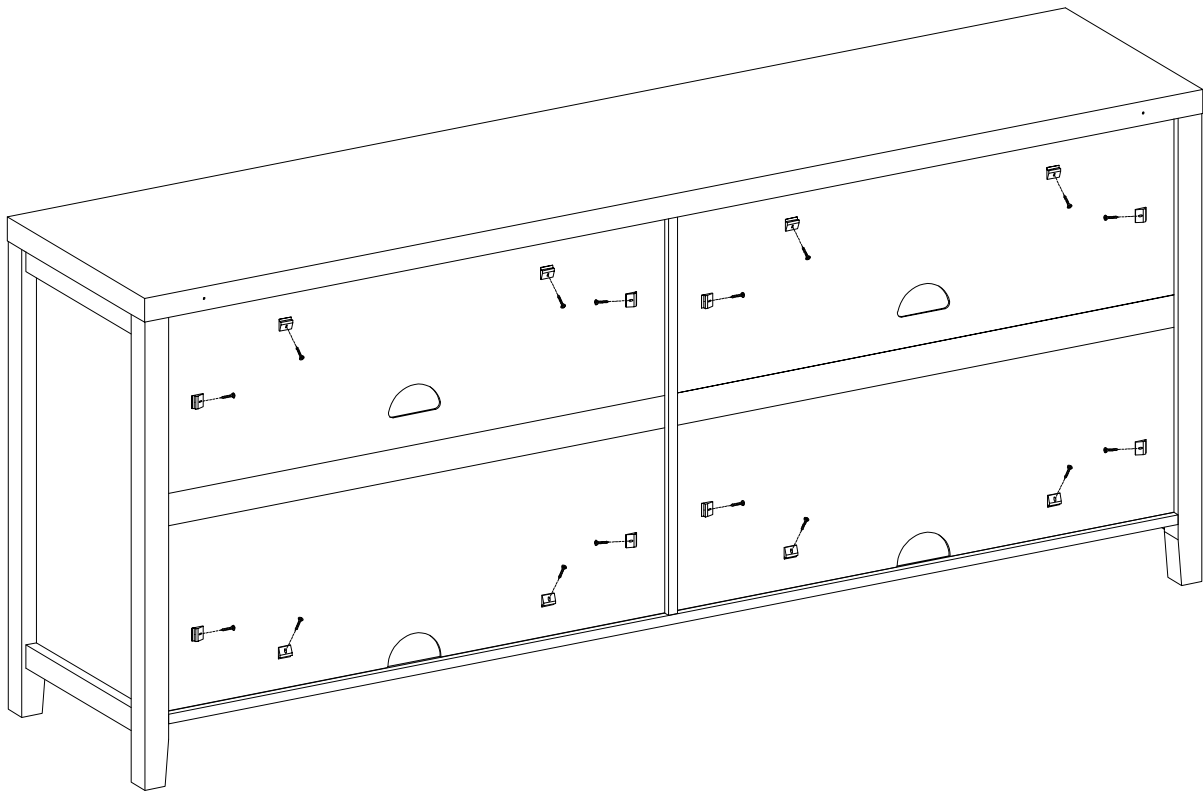
# Step 14

Attach the Top Panel (1) to the sideboard frame using Cam Locks (C) to secure.



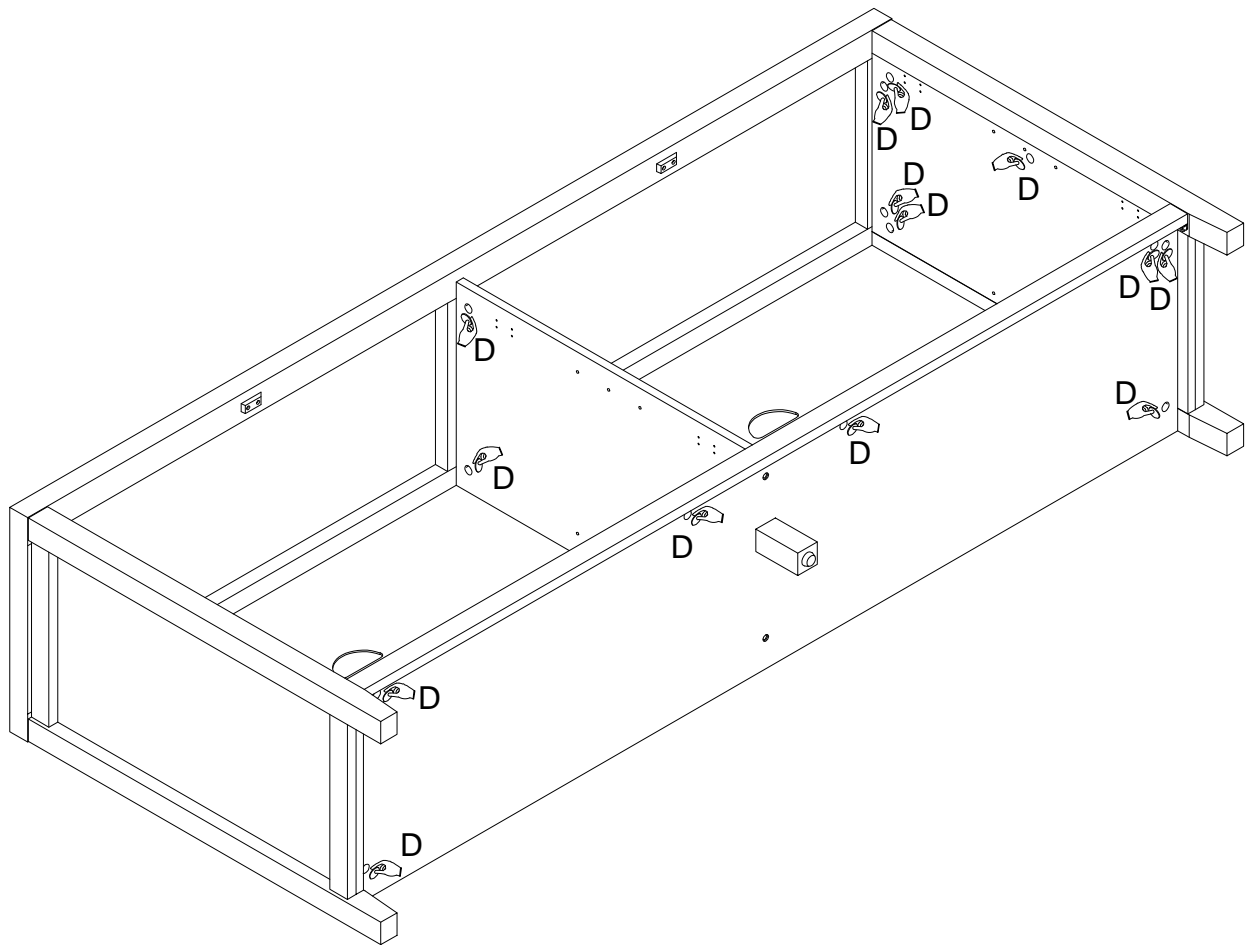
# Step 15

Evenly space Plastic Wedges (L) in between the Back Panel and the frame. Secure with 17mm Screws (M).



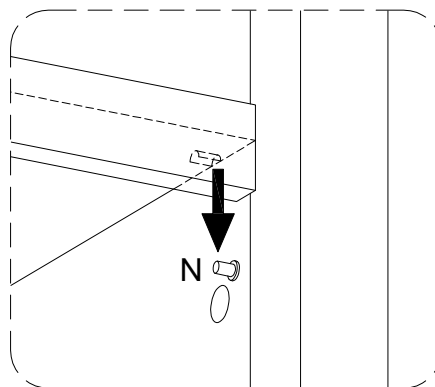
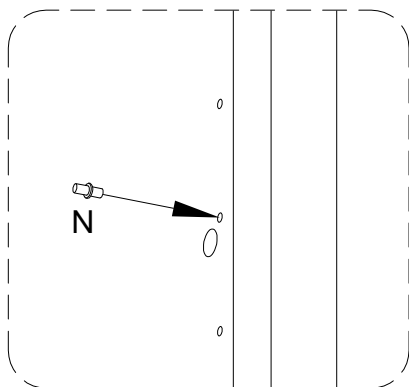
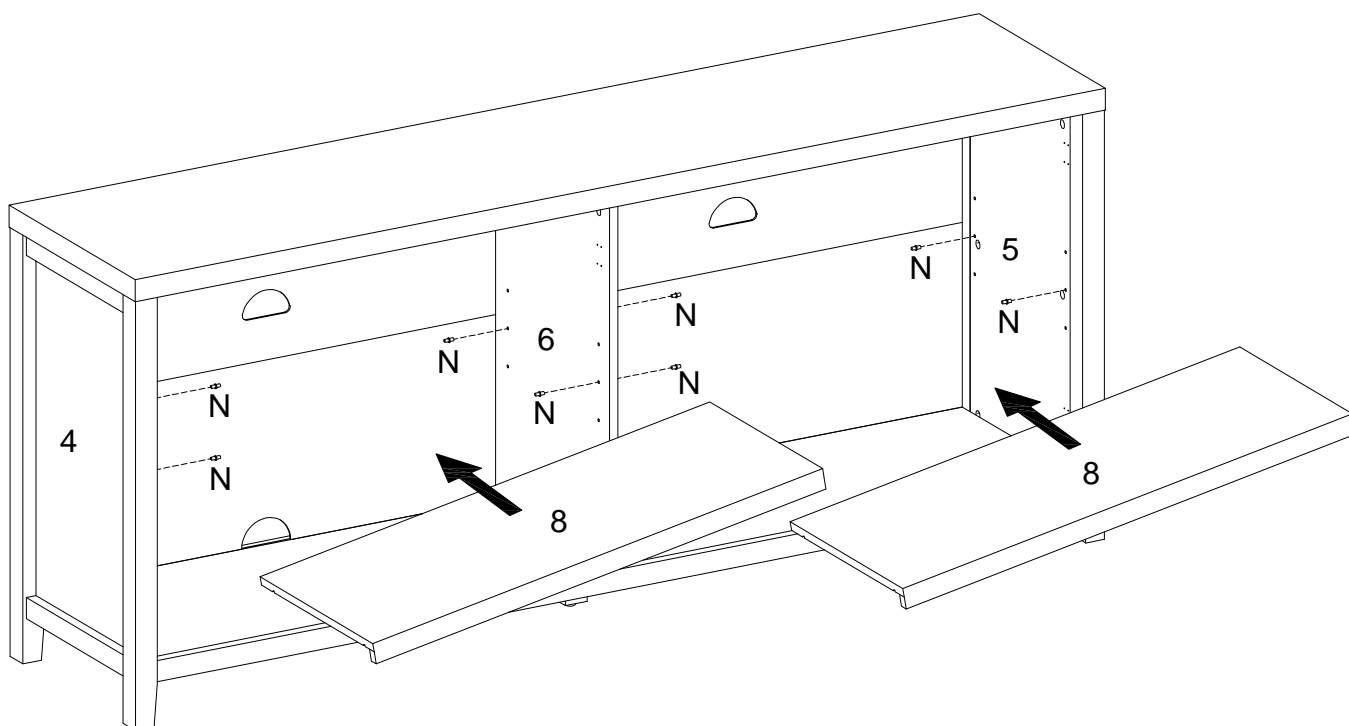
# Step 16

Cover any visible Cam Locks (C) with Stickers (D).



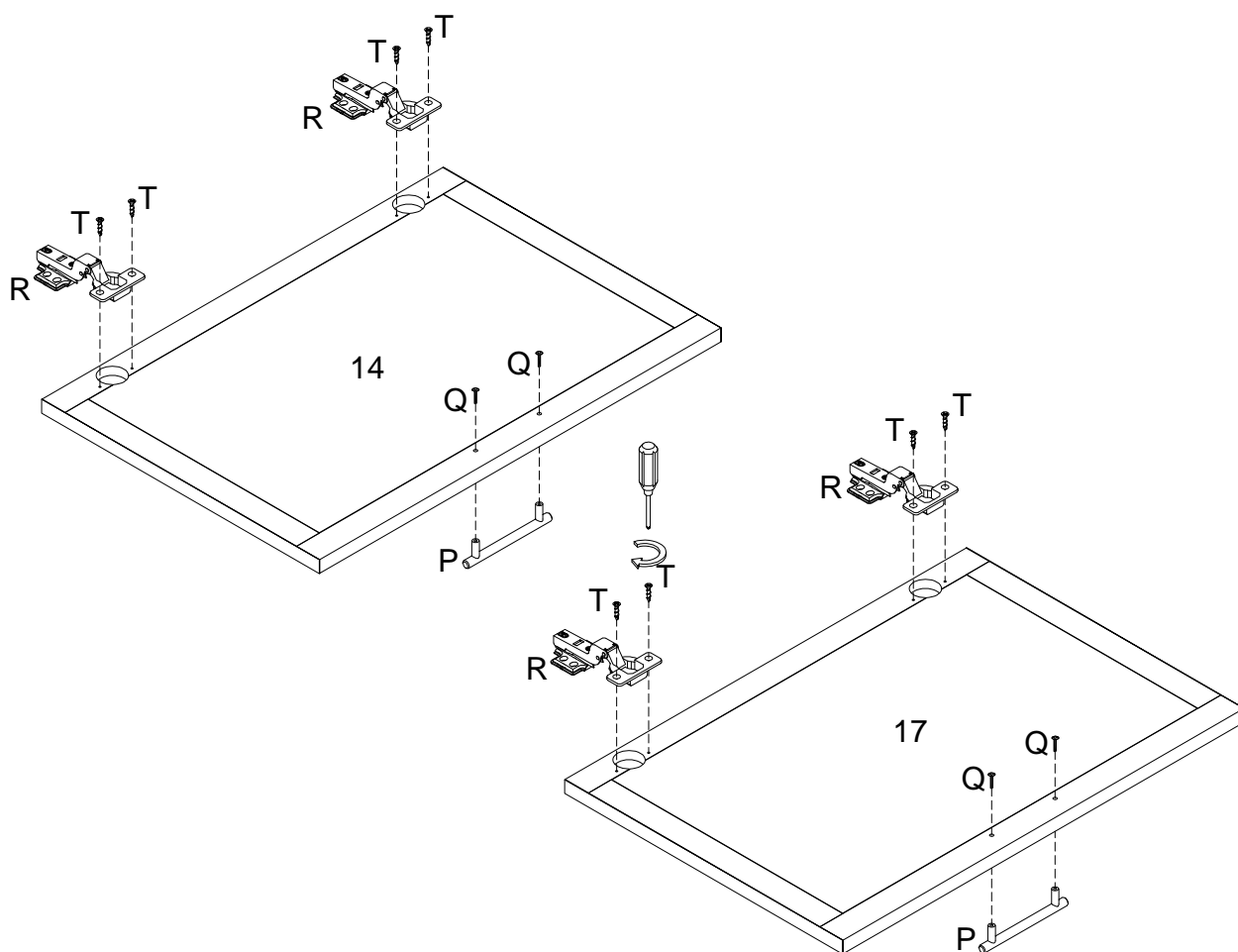
# Step 17

Insert Shelf Support Pins (N) into the pre-drilled holes at your desired height, then slide the Adjustable Shelves (8) into place.



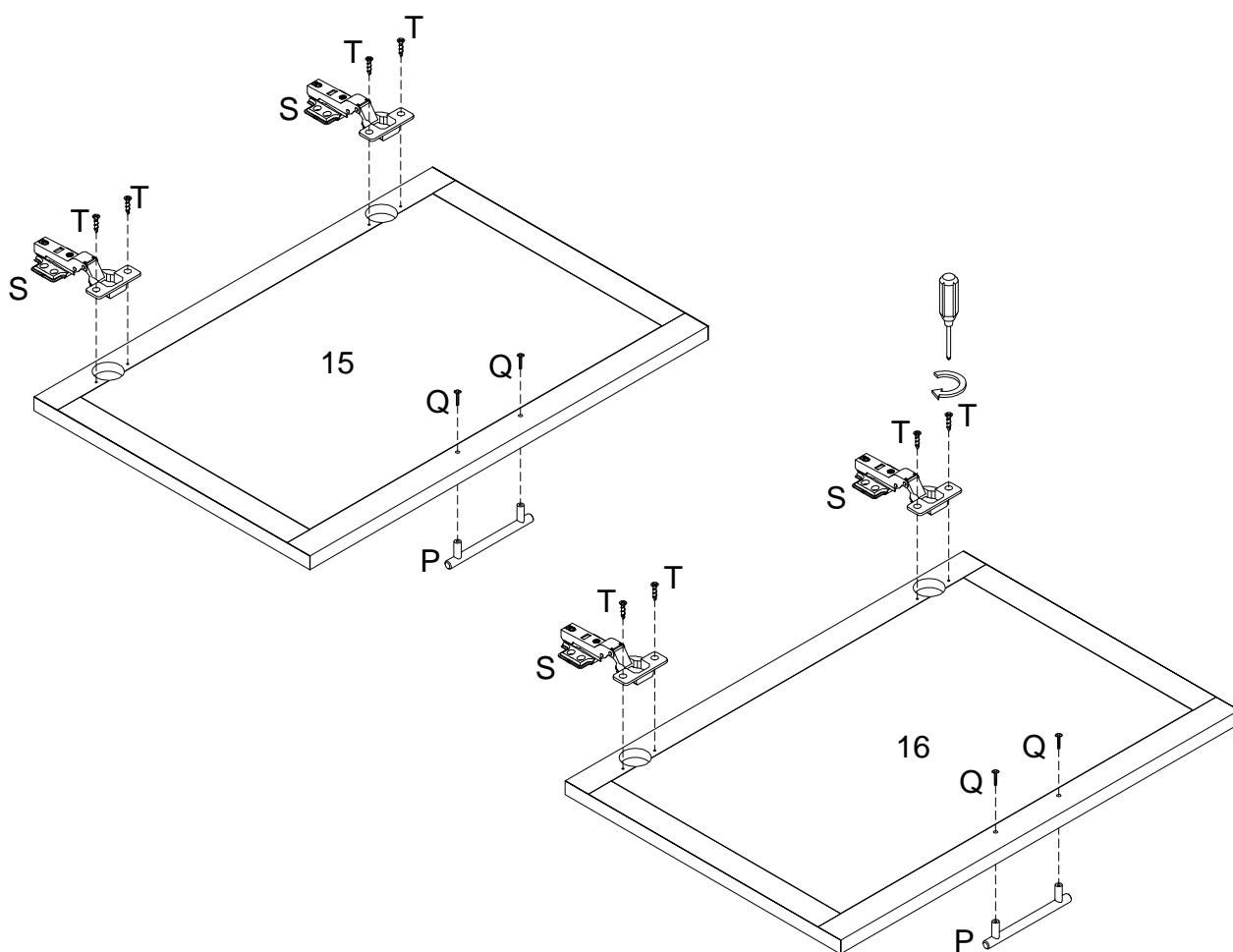
# Step 18

Please note that there are two different types of hinges. Attach Europe Hinges (R) to the Left Door (14) & the Right Door (17) using 13mm Screws (T). Secure the Handles (P) to each door using Handle Bolts (Q).



# Step 19

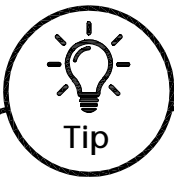
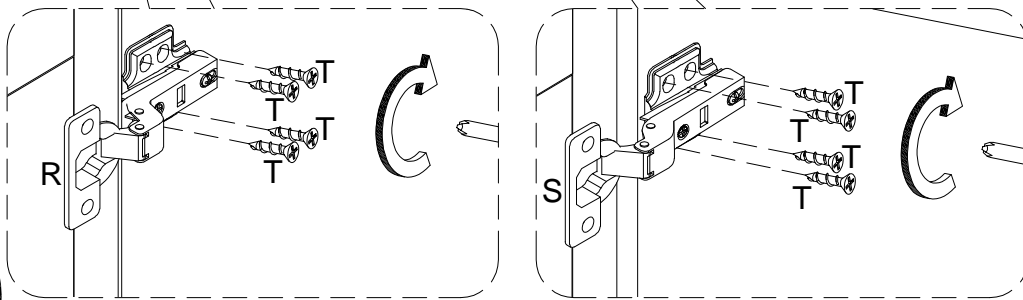
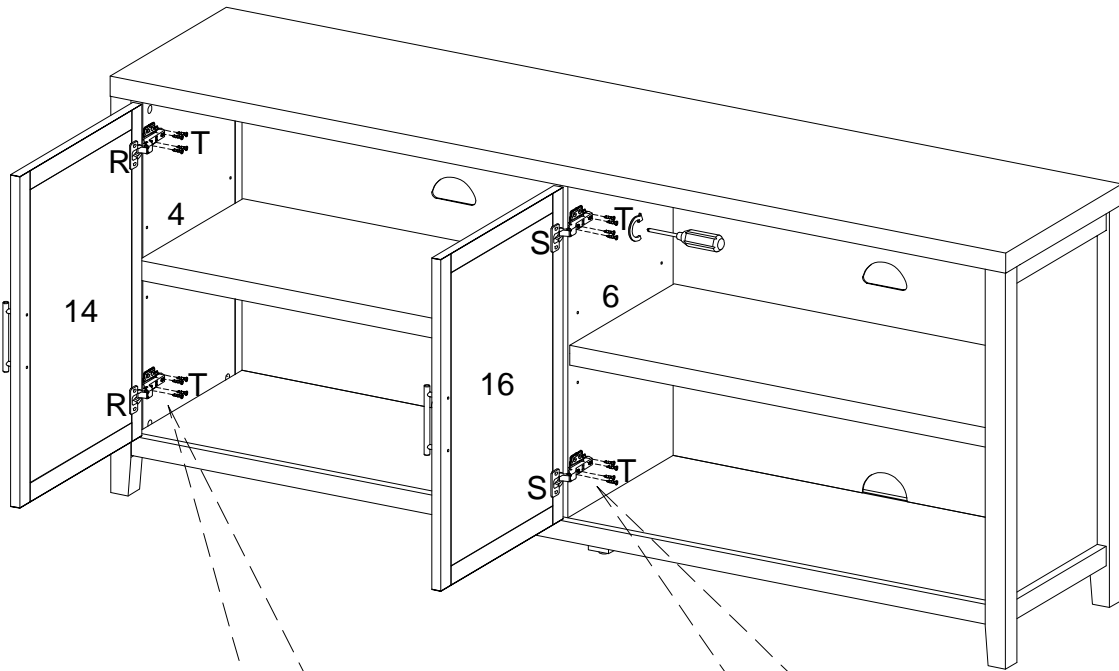
Now, repeat for the other two doors. Attach the Europe Hinge (S) to the Left Center Door (15) and the Right Center Door (16) using 13mm Screws (T). Secure the Handles (P) to each door using the Handle Bolts (Q).





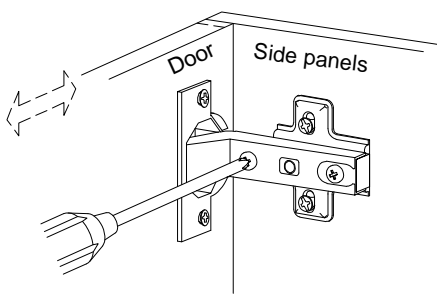
# Step 20

Next, we'll attach the doors. Attach the hinges on the Left Door (14) and the Right Center Door (16) to the sideboard and secure with 13mm Screws (T). Pay careful attention to ensure that each door and hinge is attached to the correct area.

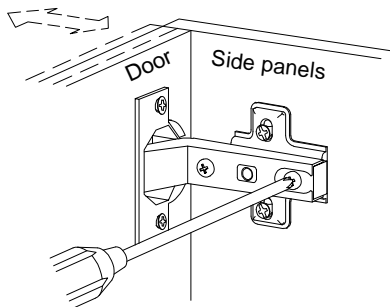


Tip

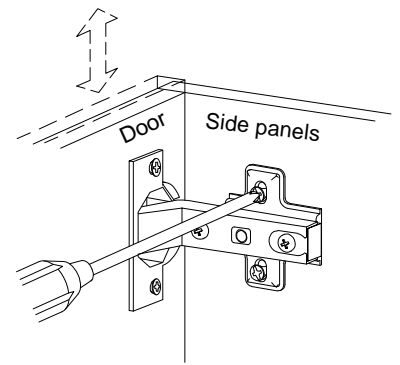
## Adjusting The Cabinet Doors



Adjust horizontal width  
with this screw



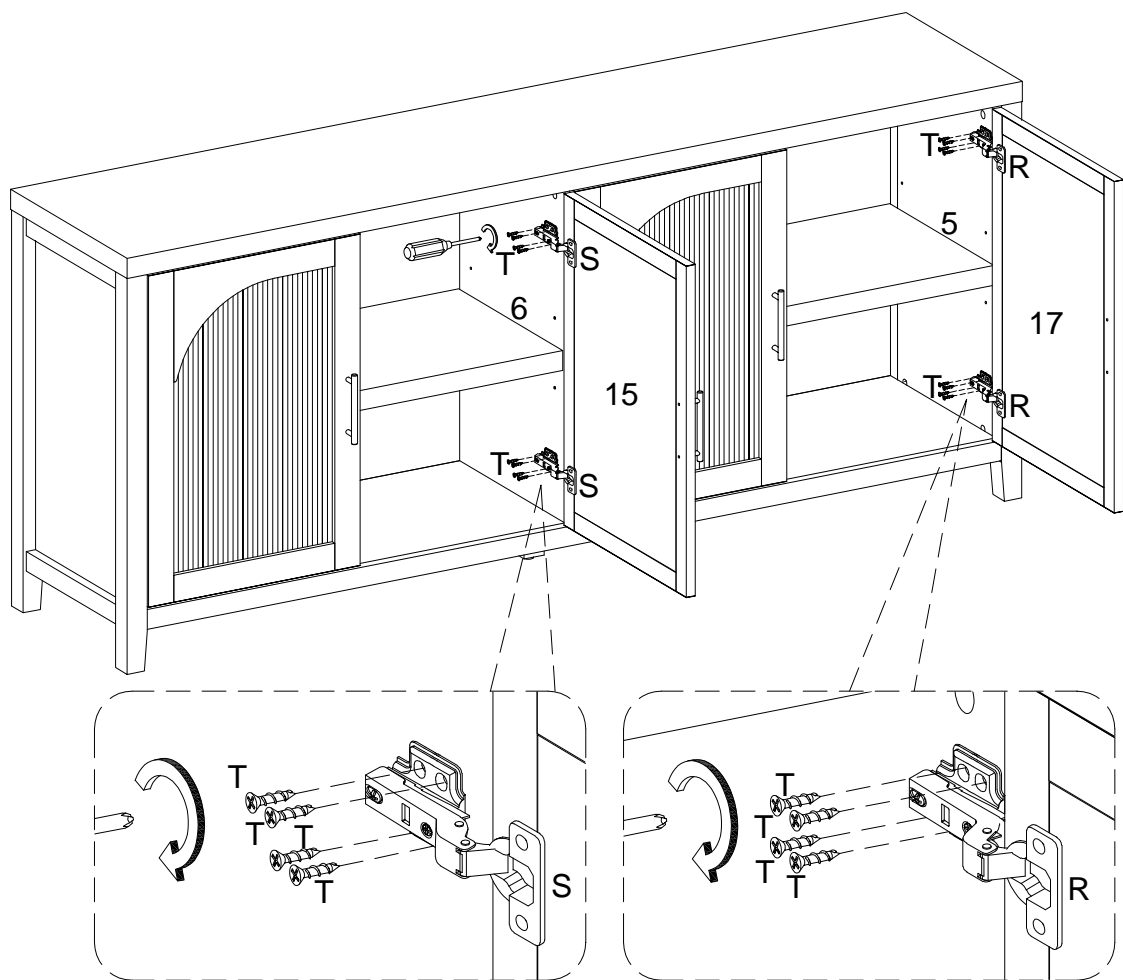
Adjust depth position  
by loosening the hinge arm  
mounting screw



Adjust vertical height  
via the screws in the  
mounting plate

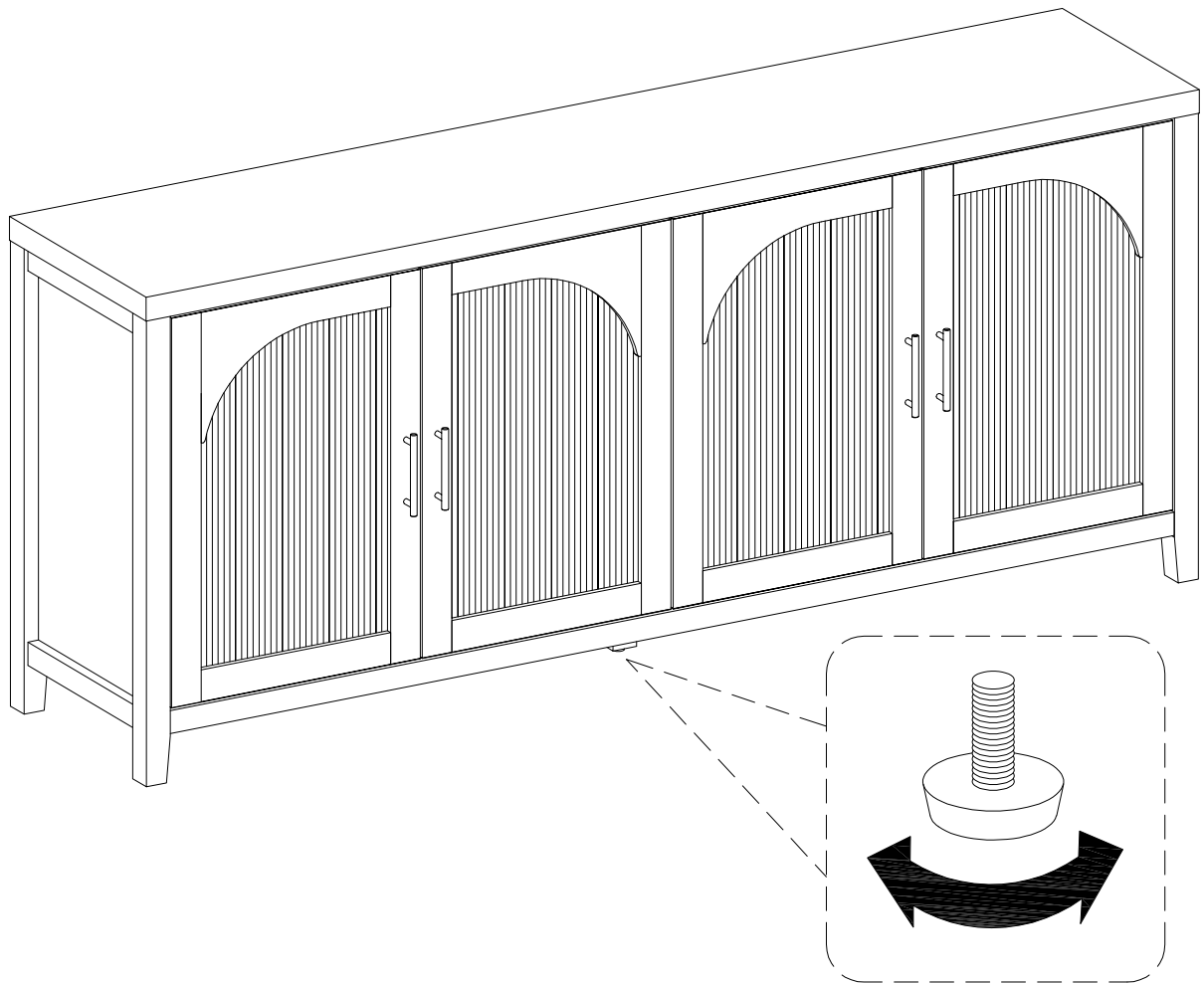
# Step 21

Now, attach the hinges on the Left Center Door (15) and Right Door (17). Use the 13mm Screws (T) to secure.



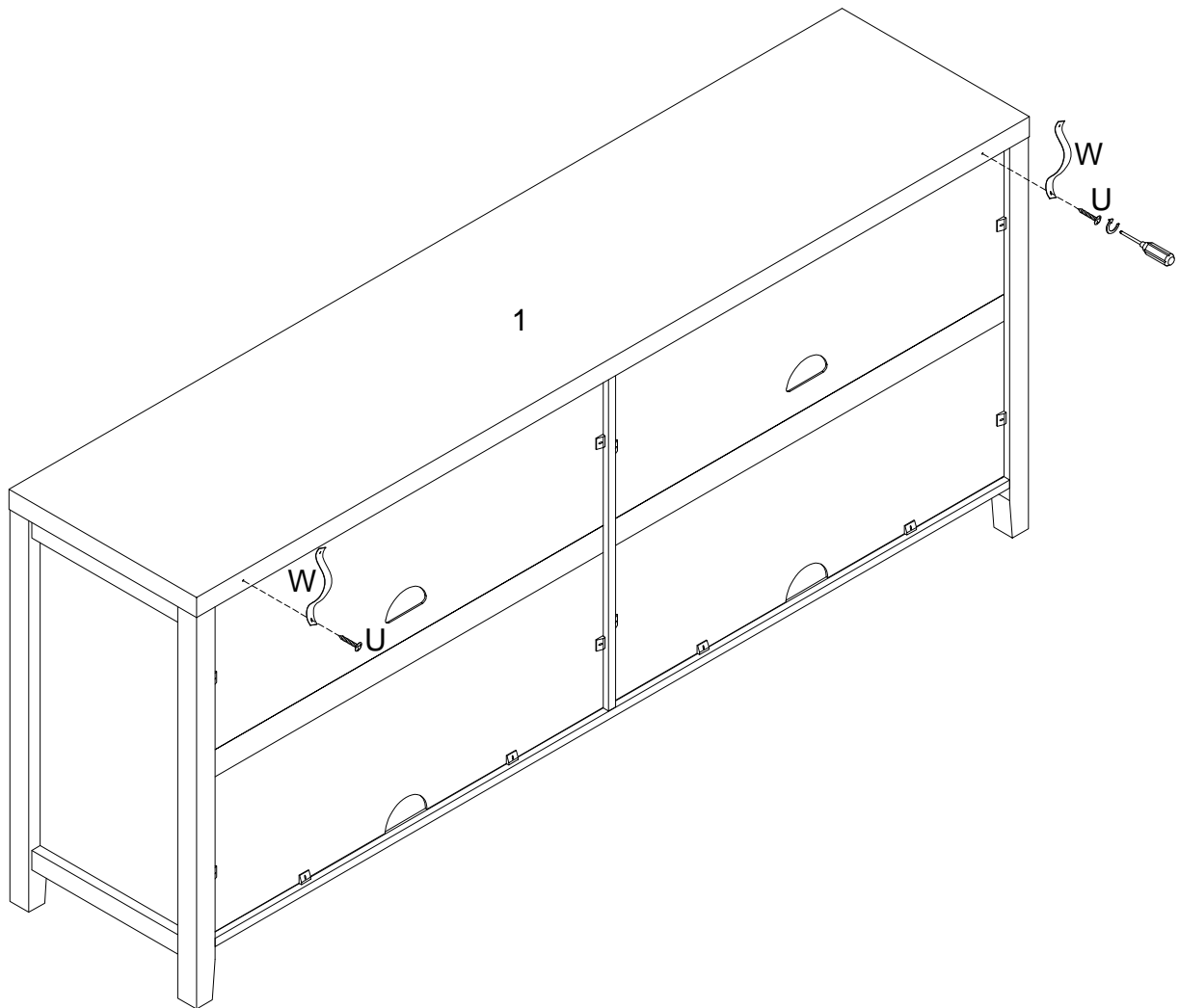
# Step 22

Use the adjustable feet to ensure a level surface.



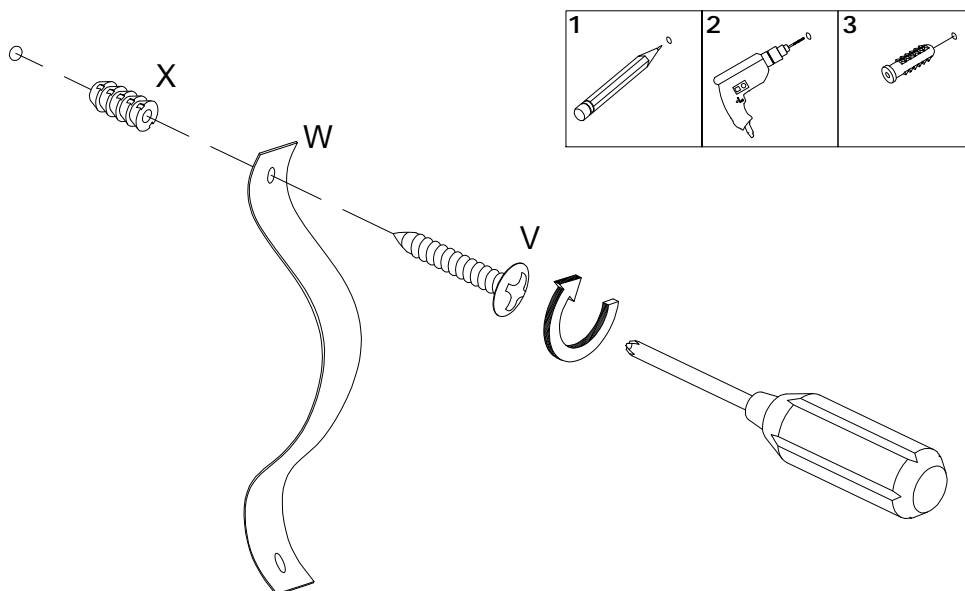
# Step 23

You're so close now. Let's secure your sideboard to the wall. Using the 12mm Screws (U), attach the Plastic Straps (W) to the back of the sideboard.



# Step 24

Now, pre-drill a hole into the wall and insert the Nut (X).  
Secure the Plastic Straps (W) to the wall using 25mm Screws (V).

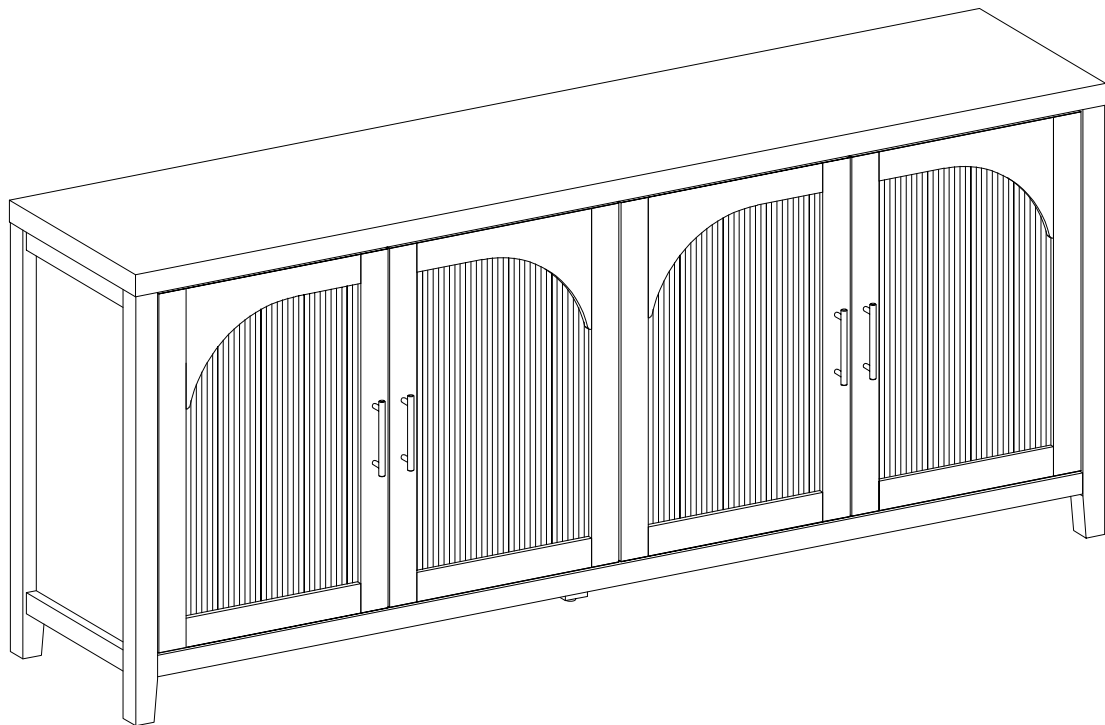


## Warning

Serious or fatal injuries can occur from furniture tipping over. To prevent the furniture from tipping over we recommend that it is permanently fixed to the wall. Wall anchor and hardware are included with this product. Please make sure hardware is suitable for your walls before installing, as different wall materials may require different types of anchors.

# Final Assembly

Final assembly: Great work, you did it!



**Congratulations on your new piece of furniture!**

We would love to hear about it and see it.  
Please leave us a review or post a picture with  
[#mywalkerredisonhome](#)

# Assembling furniture can be tricky sometimes.

Our customer service team, located in Utah, is here for product information, help assembling a product, or for any other customer support issue

Call us at **801-433-3008**

Email us at [service@walkeredison.com](mailto:service@walkeredison.com)

Visit our Customer Service website at  
[walkeredison.com/pages/customer-service](http://walkeredison.com/pages/customer-service)

We are available to help Monday -Thursday 8am-5pm, Friday  
8am-3pm MST

For details on Assembly Videos, Assembly Instructions,  
Replacement Parts, and Customer service,  
**SCAN HERE**

