

BOSS®
AUDIO SYSTEMS

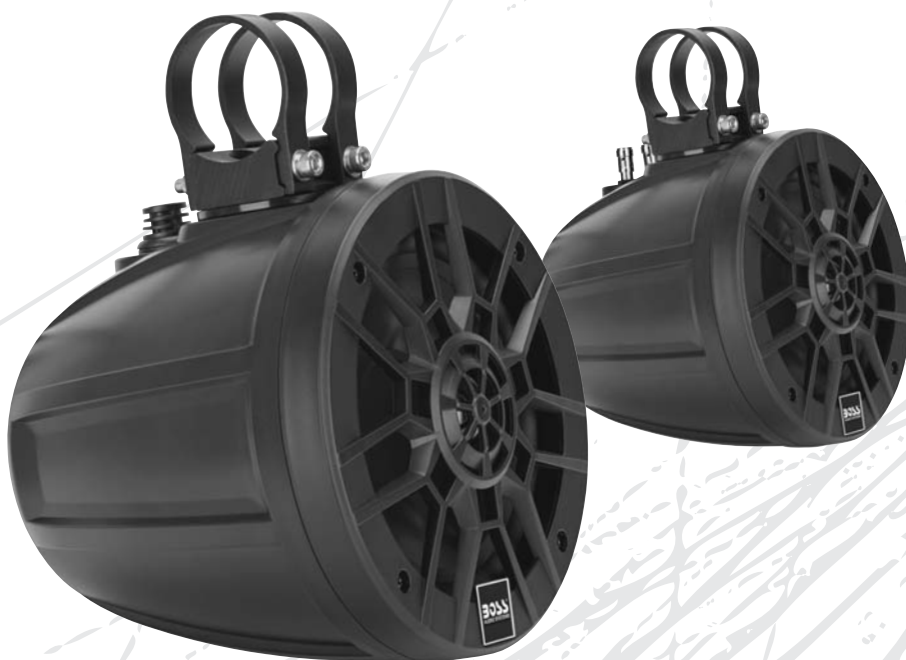
 **Bluetooth**®

FULLY
MARINIZED

B6ABT

USER MANUAL

6.5" (165 mm) 2-WAY AMPLIFIED MARINE/POWERSPORTS
ROLL CAGE/WAKETOWER SPEAKER PODS
FEATURING BUILT-IN AMPLIFIER





B6ABT

6.5" (165 mm) 2-Way Marine/
Powersports Roll Cage/
Waketower Speaker Pods

Congratulations on your purchase of a BOSS product.

It has been engineered to bring you the highest level of performance. Its quality will afford you years of listening pleasure.

Thank you for making BOSS your choice for audio entertainment!

Specifications

Mid Bass Driver:

6.5" (165 mm)
Poly injection cone
Rubber surround

Tweeter:

1" (25 mm) PEI dome tweeter

Crossover network:

Built-in

Impedance:

4 Ohms

Frequency Response:

140Hz - 20kHz

Sensitivity:

93dB (1 watt/1 meter)

Dimensions (W x H x D):

7.19" x 9.88" x 7.31"
(182 x 250 x 186 mm)

Weight (in gift box):

10.7 lbs (4.85 kg)

Amplifier:

Input Impedance: 10kΩ
Frequency Response: 20Hz - 20kHz

Bluetooth:

Version: 5.0 w/ EDR
A2DP
Range: 33ft (10m)
Network Name: BOSS Audio Systems B6ABT

USER MANUAL

Introduction

Your new B6ABT waketower speakers are high-power, fully-waterproof 2-way systems featuring 6.5" drivers and a 1" PEI dome tweeter.

BOSS understands that wake tower speakers are used in many different types of installations. Our versatile mounting solutions give you the ability to attach our wake tower speakers to mounting tubes with diameters of 1.5" - 2" (38 - 51mm).

What is included?

Before you begin installation, please check that your product contains the following contents:

- (2) Speaker pods
- (4) 130x14x2mm rubber mounting strips
- (4) 120x14x1mm rubber mounting strips
- (2) 48x30x2mm rubber mounting pads
- (4) 2" mounting aluminum bands for 2" and 1.875" installation.
- (4) 1.75" mounting aluminum bands for 1.75" and 1.5" installation.
- (4) M6 locknuts
- (4) M6 flat washers
- (4) M6x60mm screws
- (1) Power/speaker wire harness
- (1) 3.5 mm audio cable

Safety considerations when installing

Please remember that these are heavy products that will be installed in a boating environment. These vehicles can travel at high speeds and be unstable. So please consider this and use extreme caution.

Some safety considerations include:

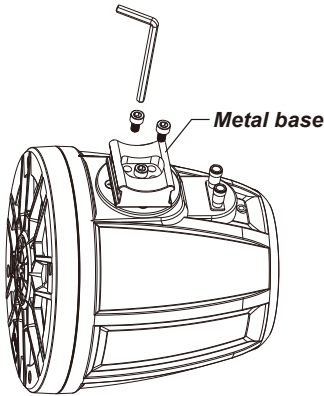
- 1- Do not mount the speakers in a location where someone may either walk into or strike their head. During a turbulent ride, please make sure that you do not loosen footing and fall or hit the unit, or it may cause injury.
- 2- Secure the wires to the speakers in multiple locations along their route to your audio source, so that there are no hanging loops of wire. Having unsecured wires in any hanging conditions can cause entanglement and injury.
- 3- Tighten the aluminum bands with rubber inserts using care. Do not over compress the rubber inserts. After installation is complete, please recheck all bolts and tighten them further if needed before taking your boat or vessel out for an audio adventure.
- 4- Do not install these speakers where they may block the view of the pilot and prevent safe operation of the vessel or vehicle.

All specifications are subject to change without notice.

It is strongly recommended that you work with an assistant to install these speakers.

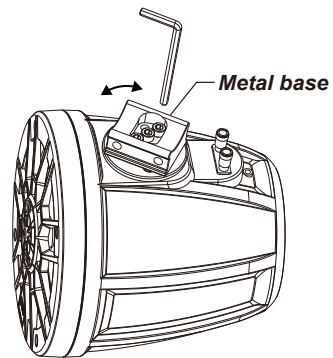
Installation instructions

STEP1



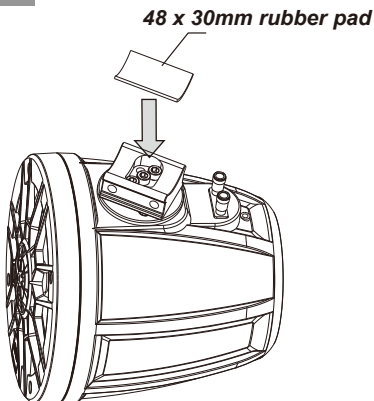
To adjust the mounting angle, loosen the metal base of the mounting band by unbolting the two screws.
Make sure to put all components of the mounting hardware in a safe location.

STEP2



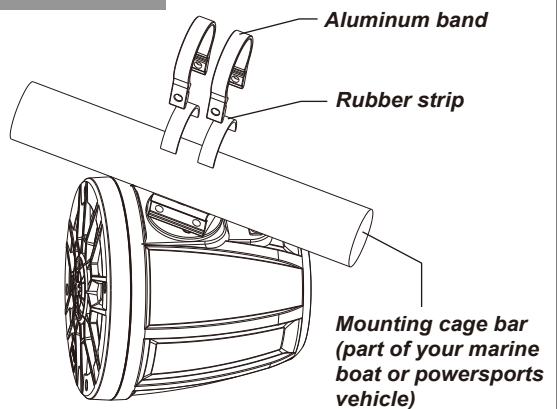
Twist the metal base to determine the optimal mounting angle for the speaker on the cage bar. Then secure the metal base by tightening the two screws.

STEP3

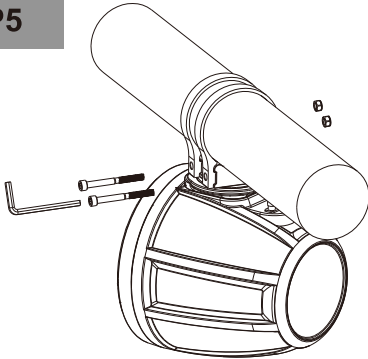


Place a supplied rubber pad (48 x 30 mm) on the metal base of the mounting band to prevent abrasion and secure clamping.

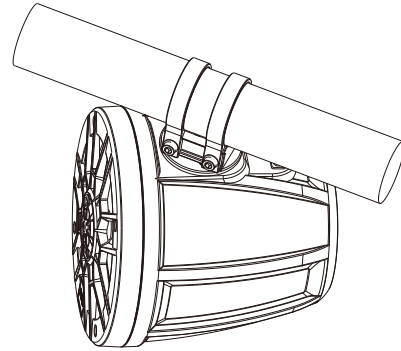
STEP4



Place two supplied rubber strips around the cage bar to prevent abrasion and secure clamping. Then push two supplied aluminum bands over the cage bar, and align the aluminum bands with the metal base on the speakers.

STEP5

As illustrated, secure the aluminum bands to the metal base using a pair of M6 x 60mm screws, M6 flat washers, and M6 locknuts. The locknuts must be installed into the hex shaped recess on one end of each aluminum band.
Hand-tighten the screws to the degree which allows just enough freedom to rotate the speaker around the cage bar.

STEP6

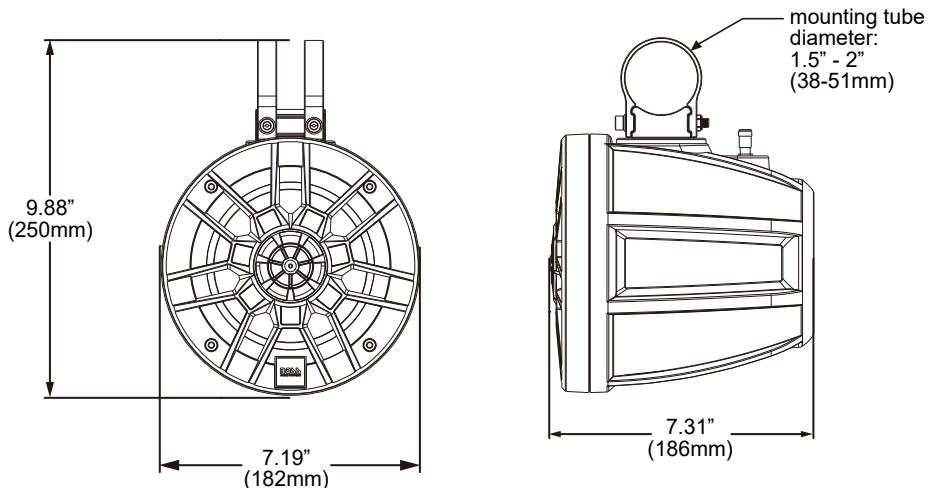
Speaker installation now completes.

Bluetooth

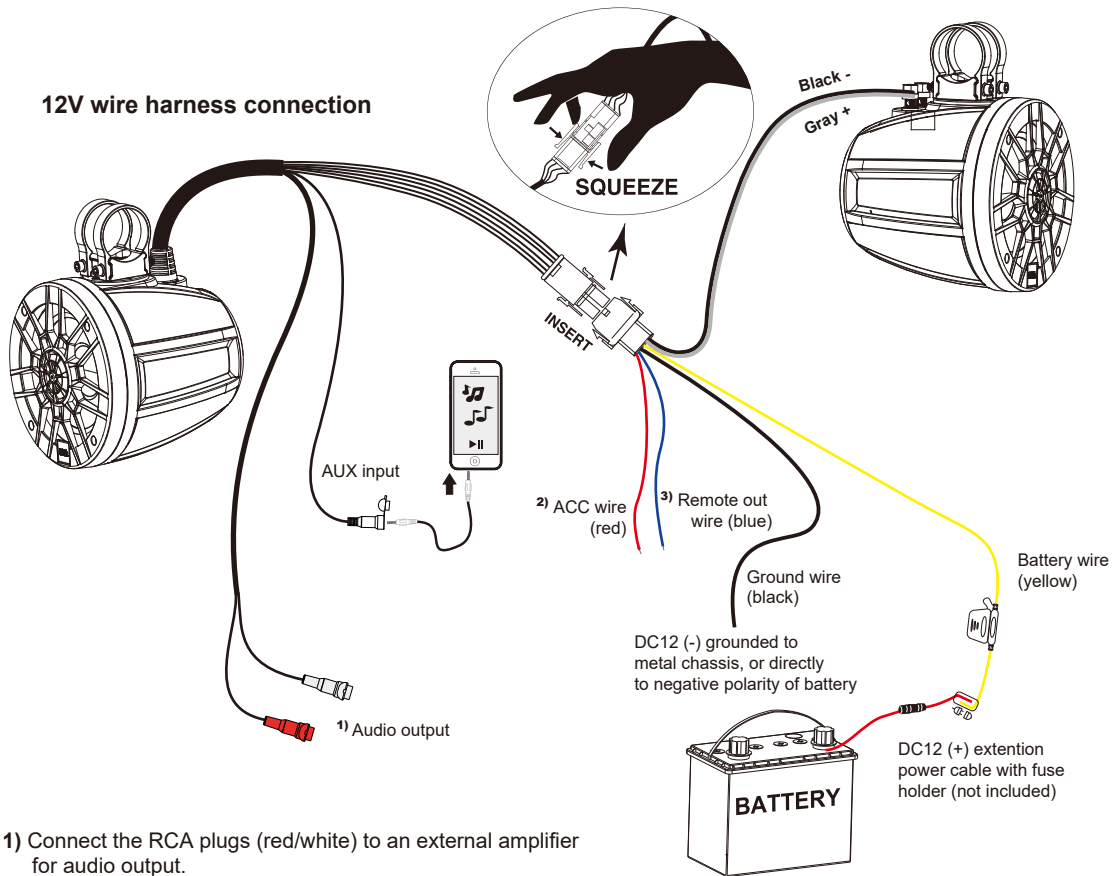
Through Bluetooth connection, you can stream music from a Bluetooth device (e.g. a mobile phone) to the speakers. Make sure Bluetooth is enabled on the device. When the device is in Bluetooth range, it will connect Bluetooth automatically and will be disconnected when it is out of Bluetooth range.

AUX input

Using the supplied 3.5mm audio cable, connect the speaker to your mobile phone for audio input to the speakers. Make sure Bluetooth connection is not made to enable AUX input.

Product dimensions

Wiring



- 1) Connect the RCA plugs (red/white) to an external amplifier for audio output.
- 2) Connect the ACC wire (red) to the accessory power of the vehicle as ON/OFF switch of the speakers.
- 3) Connect the remote out wire (blue) to an external amplifier as ON/OFF switch of the amplifier.

BOSS[®]
AUDIO SYSTEMS



BOSS Audio Systems
3451 Lunar Court • Oxnard, CA 93030
www.bosssaudio.com
805-751-4853 Customer Service
Tech Support: www.bosssaudio.com/support



0322

iPod® and iPhone® are registered trademarks of Apple, Inc., in the U.S. and other countries.
The Bluetooth® word mark and logos are registered trademarks owned by Bluetooth SIG, Inc. and any use of such marks by BOSS Audio Systems is under license. Other trademarks and trade names are those of their respective owners.