



Ensemble™ Curve

60" x 30" Vikrell® shower, left drain
72170110



Features

- 4" threshold
- Durable high-gloss finish
- Three-piece tongue-and-groove walls with snap-together installation
- Convenient shelves, shaving ledge/footrest
- Innovative Dry-Block™ seal and channeled water containment system form watertight seams

Material

- Made from solid Vikrell® material for strength, durability, and lasting beauty

Installation

- Alcove
- Left drain
- Caulk-free installation

Recommended Products/Accessories

K-23726 Drain treatment

Included Components

- 72171110 60" x 30" Vikrell® shower base, left drain
- 72175100 30" Vikrell® shower end wall set
- 72372100 60" Vikrell® shower back wall



Codes/Standards

- CSA B45.5/IAPMO Z124
- ASTM E162
- ASTM E662
- HUD, UM Bulletin 73


STERLING® Vikrell® or Acrylic Baths and Shower Bases Ten-Year Limited Warranty

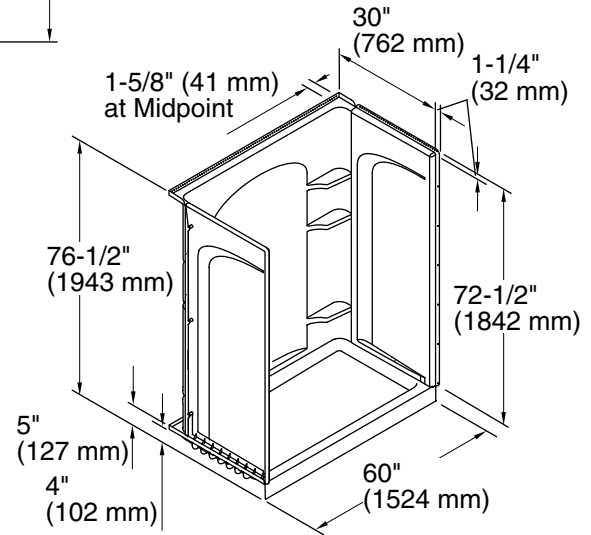
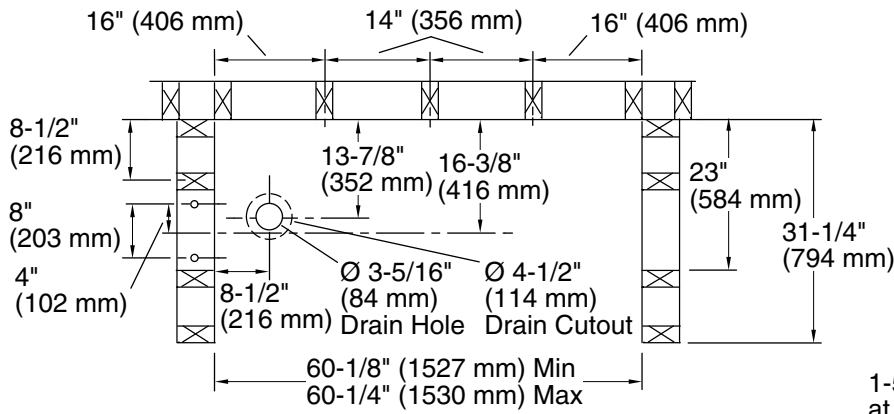
See website for detailed warranty information.

Available Colors/Finishes

Color tiles intended for reference only.

Color	Code	Description
-------	------	-------------

	0	White
---	---	-------



Technical Information

All product dimensions are nominal.

Drain location:	Left
Weight:	123.7 lbs (56.1 kg)
Minimum flat for door:	3" (76 mm)
Maximum door height:	70-1/2" (1791 mm)
Maximum door width:	56-5/8" (1438 mm)

Notes

Install this product according to the installation instructions.
Studs should be positioned roughly as shown. Double studding is recommended for pivot shower door installations.