

Bypass Servo

REPLACEMENT INSTRUCTIONS

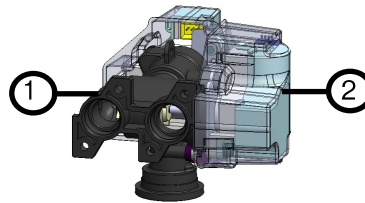
For Use With Rinnai Tankless Water Heater Models: RE180i, RE180e, RE199i, RE199e

WARNING Failure to correctly assemble the components according to these instructions may result in electric shock, injury, or death.

Items Inside Product Box

Before installation, please make all parts are located inside the product box.

Item #	Item	Qty
1	Bypass Servo Assembly	1
2	Cover	2
3	Clip (Image Not Shown)	1

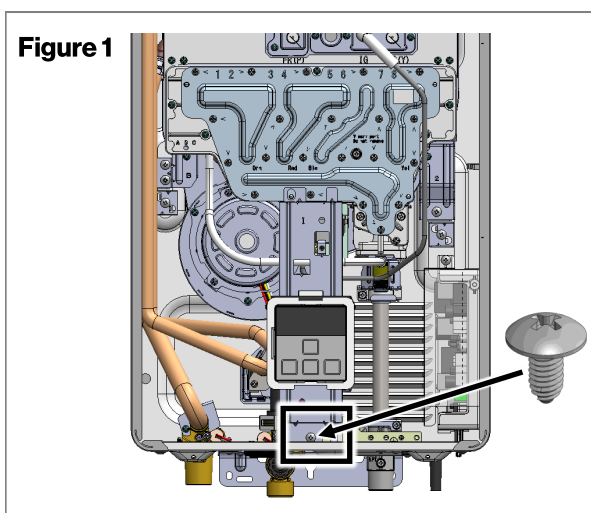


TOOLS/MATERIALS REQUIRED Phillips head screwdriver

Instructions

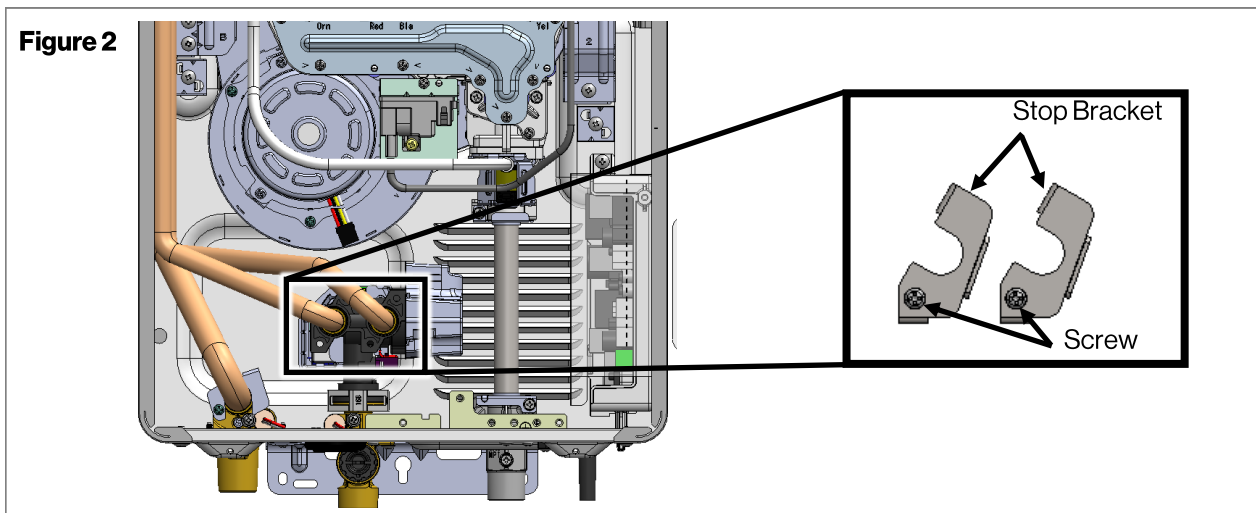
IMPORTANT: When following the instructions below, inspect any existing O-rings carefully, taking care not to scratch, damage, or misplace the O-rings.

1. Turn off and disconnect 120 V power supply.
2. Turn off water supply.
3. Turn off gas supply.
4. Release pressure and drain water from the water heater.
5. Remove the front panel.
6. Remove the one screw securing the controller assembly to the water heater (Figure 1).

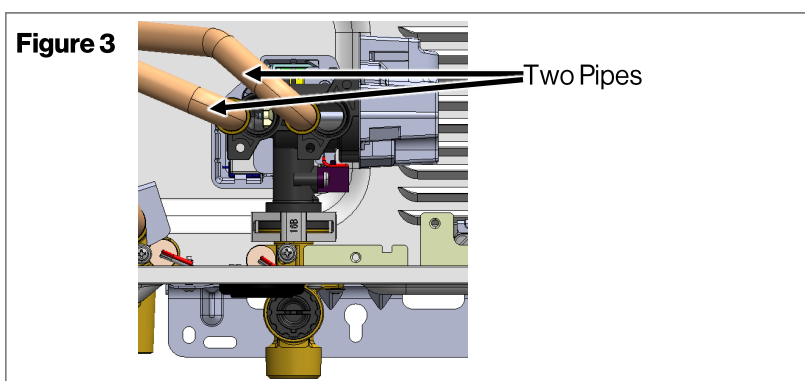


7. Position the controller to gain access to the bypass servo.

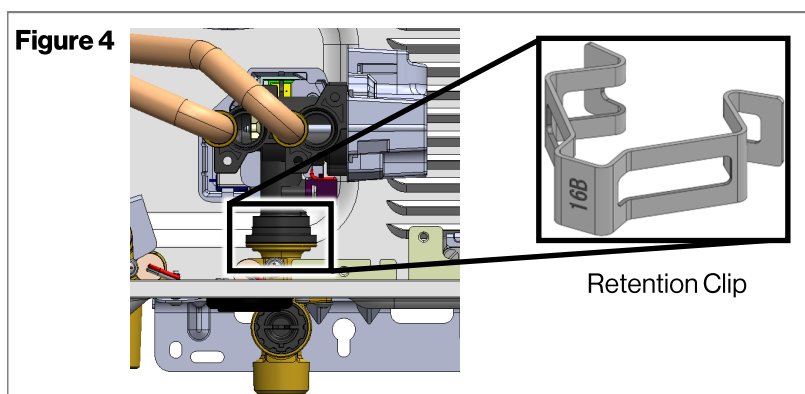
8. Remove the two screws and two stop brackets connecting to the two pipes to the front of the bypass servo assembly (Figure 2).



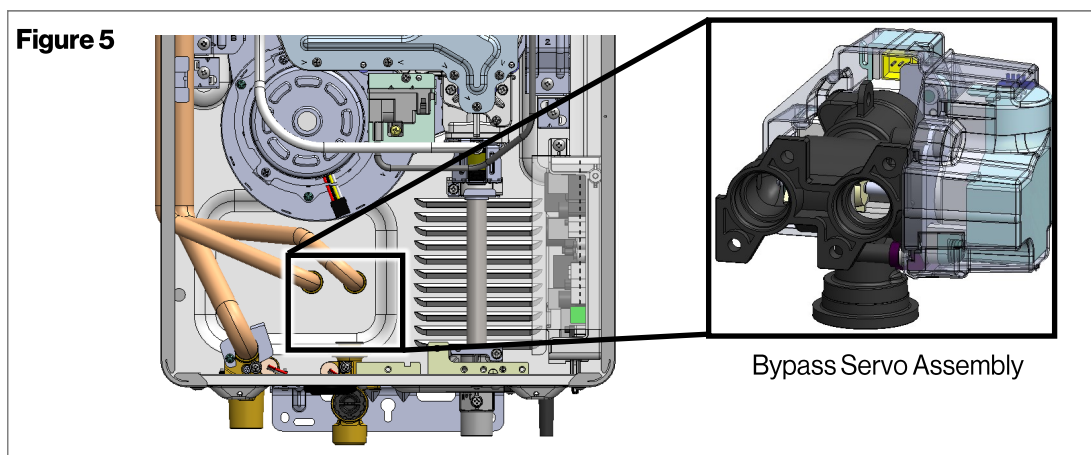
9. Remove the two pipes from the bypass servo assembly (Figure 3).



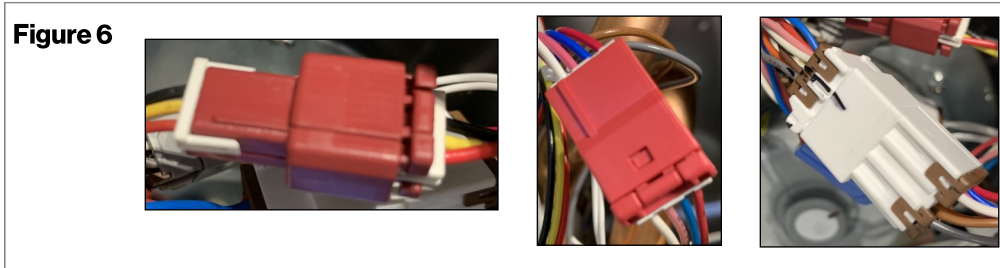
10. Remove the retention clip connecting the bypass servo assembly to the water inlet (Figure 4).



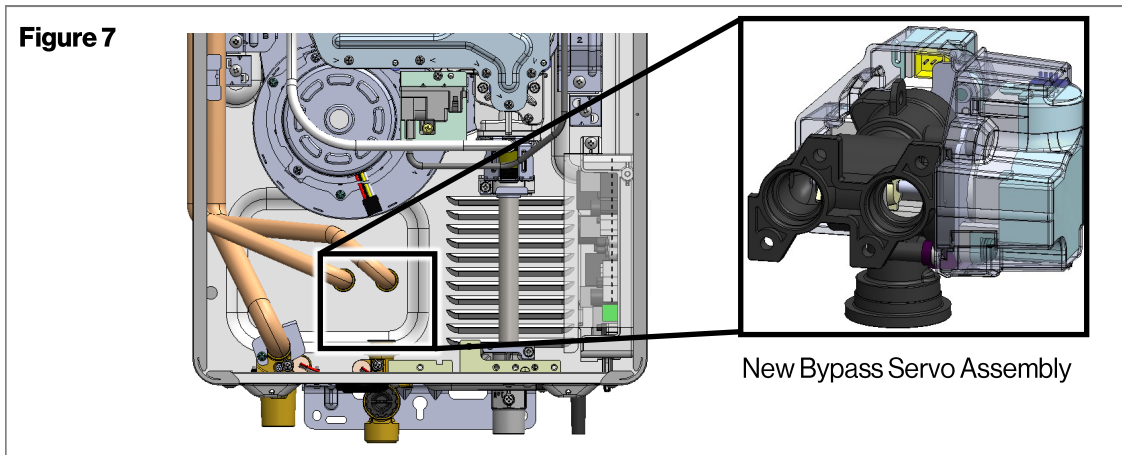
11. Pull the bypass servo assembly out to gain access to the wire harnesses (Figure 5).



12. Disconnect the three wire harnesses and thermistor harness (Figure 6).

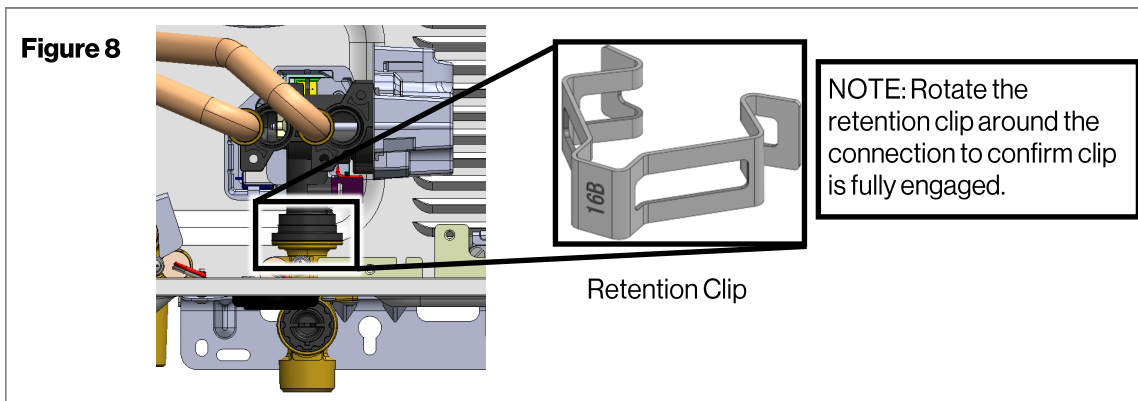


13. Position the new bypass servo assembly to gain access to the wire harnesses (Figure 7).



14. Reconnect the three wire harnesses and thermistor harness (Figure 6 above).

15. Assemble the bypass servo assembly to the water inlet and secure with retention clip (Figure 8).



16. Reinstall the two pipes to the bypass servo assembly (Figure 3).
17. Reinstall the two screws and two stop brackets connecting to the two pipes to the front of the bypass servo assembly (Figure 2).
18. Assemble the controller assembly and secure assembly to the water heater (Figure 1).
19. Reconnect and turn on 120 V power supply, water supply and gas supply.
20. Check that the operation is working correctly (this is for checking the flow sensor).
21. Perform leak detection test for water.
22. After all checks have been successfully completed, reinstall the front cover.

This Page Intentionally Left Blank