

**SAFETY INFORMATION**

Released Date: 2025-08-05

Please read and understand this entire manual before attempting to assemble, install or operate the product.

**WARNING**

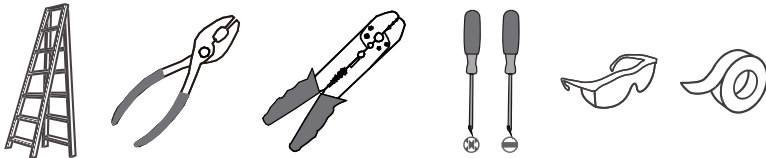
- RISK OF ELECTRIC SHOCK - Before beginning installation, turn off electricity at the circuit breaker box or the main fuse box.

**CAUTION**

- For your safety, read instructions completely before beginning installation.
- If in doubt about electrical installation, consult a licensed electrician.

**TOOLS REQUIRED**

Ratings	120Vac, 60Hz	
	Model No.	Wattage
	PCDAV5040MBK	21W

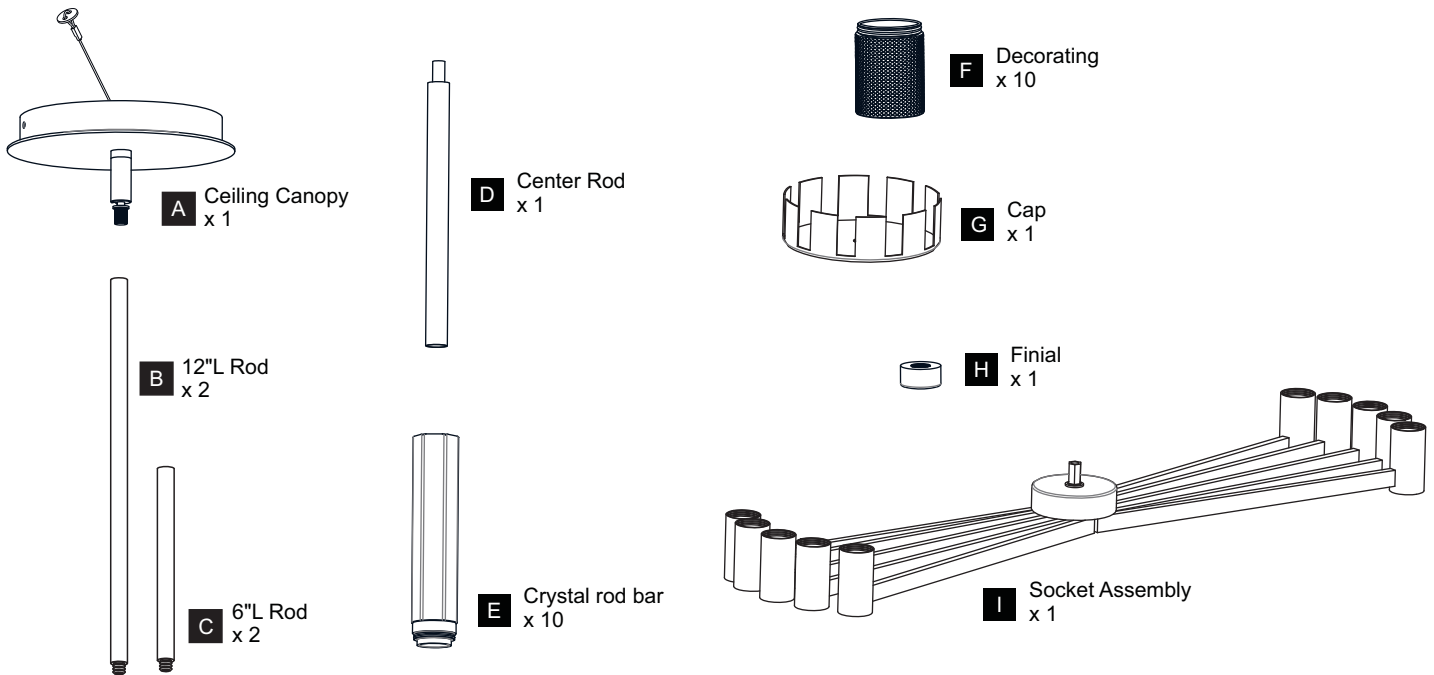


**CARE AND MAINTENANCE**

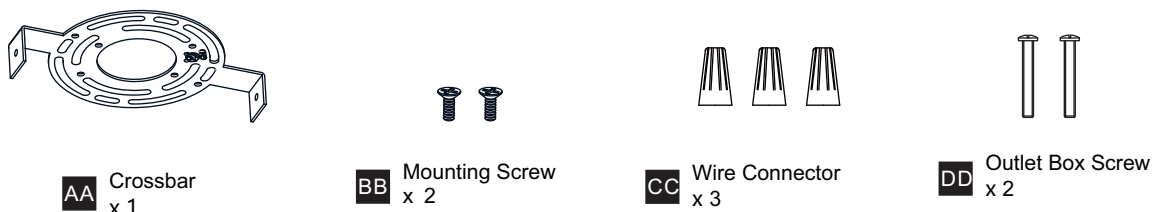
- Wipe clean using soft, dry cloth or static duster. Always avoid using harsh chemicals and abrasives to clean fixture as they may damage the finish.

If you need further assistance call Quoizel Customer Care at 1-800-645-3184 (9:00am - 5:00pm EST), or visit us on-line at [www.quoizel.com](http://www.quoizel.com).

**PACKAGE CONTENTS**

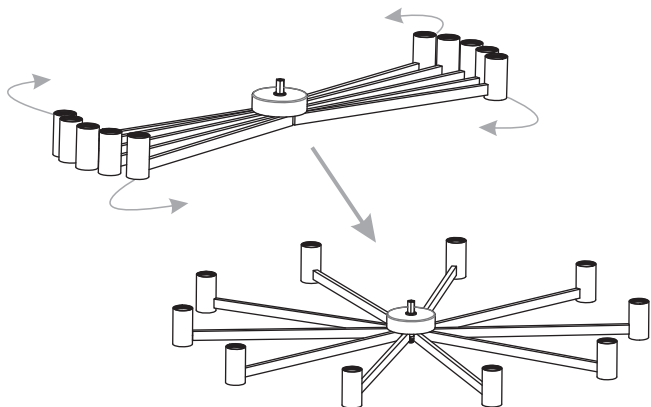


**MOUNTING HARDWARE**

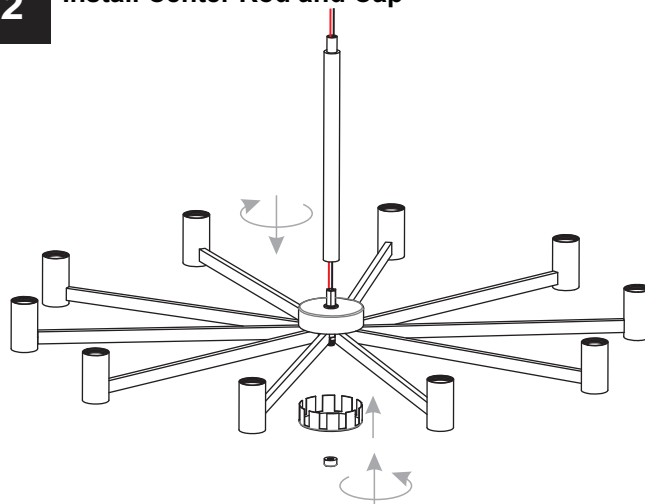


# INSTALLATION

## 1 Unfold Side Arms



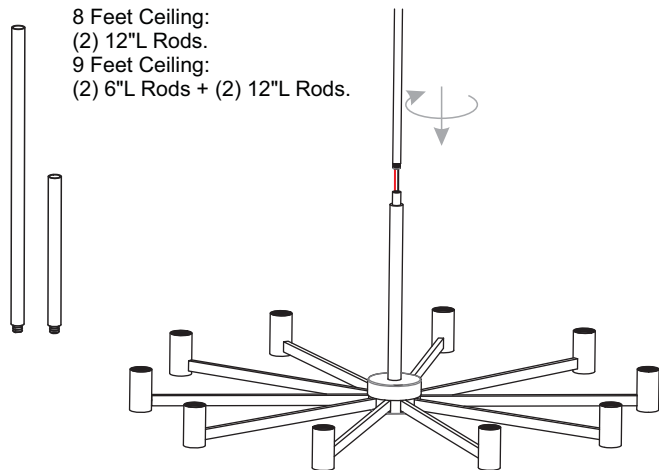
## 2 Install Center Rod and Cap



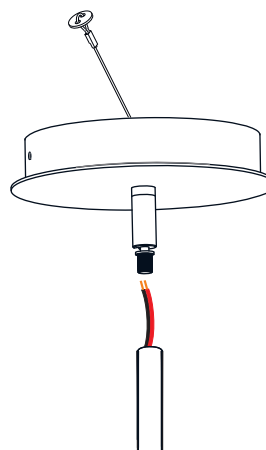
## 3 Install Rods

Optional Rods:

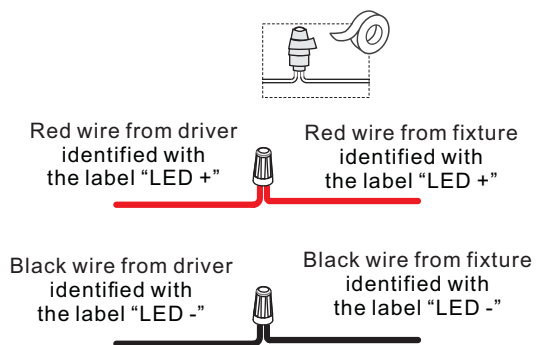
8 Feet Ceiling:  
(2) 12"L Rods.  
9 Feet Ceiling:  
(2) 6"L Rods + (2) 12"L Rods.



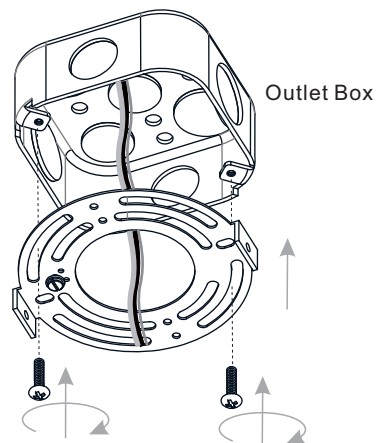
## 4 Install Ceiling Canopy to Upper Rod



## 5 Connect Fixture Wires to Driver

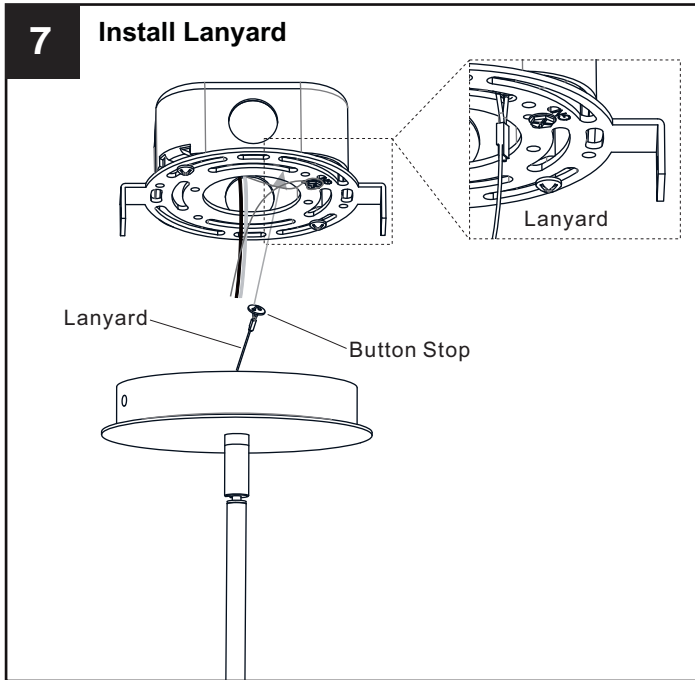


## 6 Install Crossbar

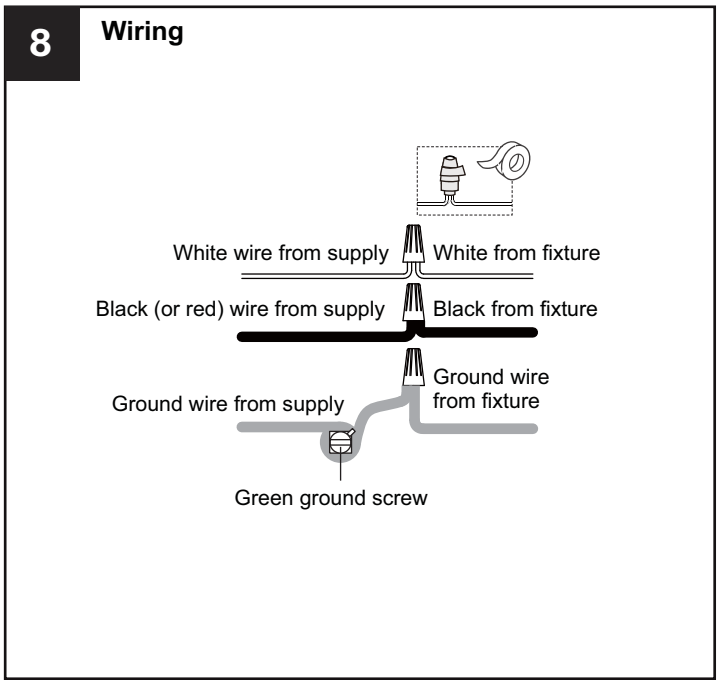


# INSTALLATION

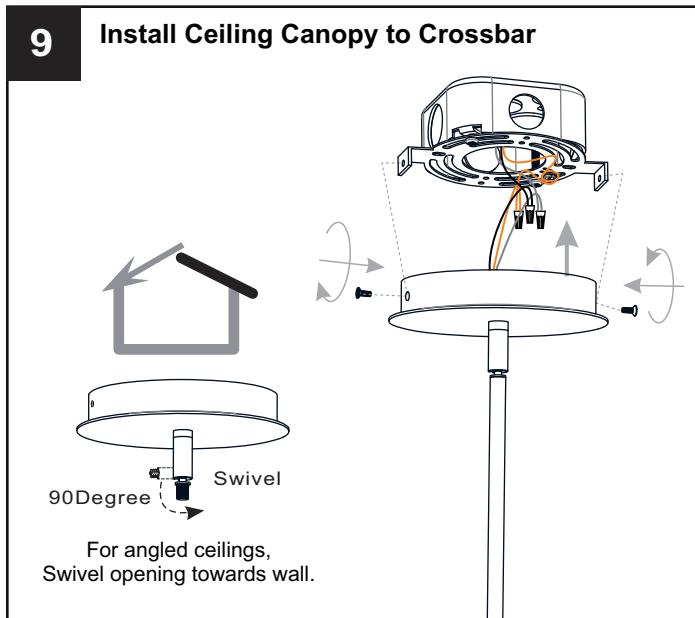
## 7 Install Lanyard



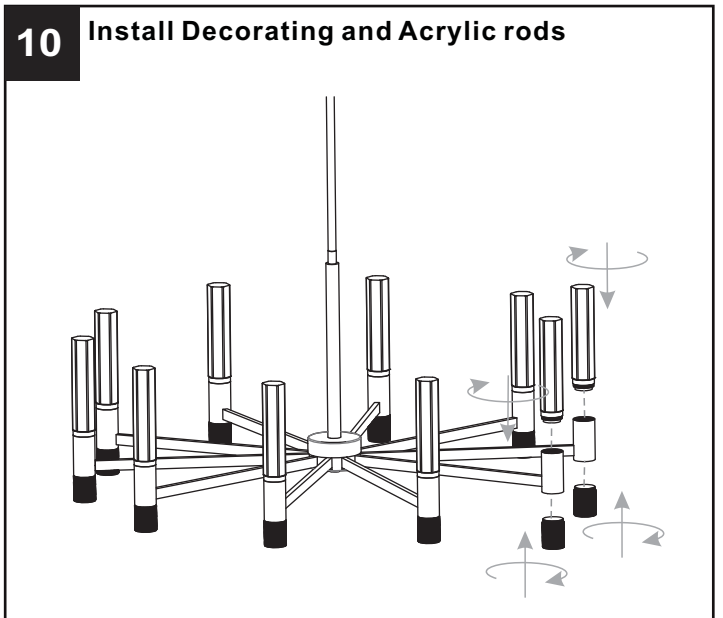
## 8 Wiring



## 9 Install Ceiling Canopy to Crossbar



## 10 Install Decorating and Acrylic rods



**Your installation is now complete! Restore electricity and save this sheet for future reference.**