

Features

- Required for Purist® and Falling Water® wall-mount touchless faucets
- Insight™ adaptive infrared technology
- 0.5 gpm (1.9 lpm) maximum flow rate
- On demand on and off. Maximum 30 second cycle time
- Ideal for use with KOHLER vessels
- Low-lead (SDWA) compliant

Material

- Brass

Technology

- Does not require battery or power cell

Installation

- Requires a plug-in AC power supply
- Optional spout-mounting location
- 13480-A and 13481-A power supplies are designed for North America outlets. For international outlets please use 13480 and 13481
- Valve control box includes stop valve therefore it can be connected to waterline directly. Does not require additional stop valve

Required Products/Accessories

K-13480 AC Single Supply

or

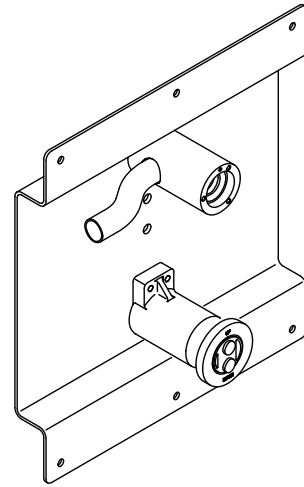
[K-13480-A](#) AC Single Supply

or

[K-13481](#) Multi-Outlet Power Supply

or

[K-13481-A](#) Multi-Outlet Power Supply



ADA

CSA B651

OBC

Codes/Standards

ASME A112.18.1/CSA B125.1

NSF/ANSI/CAN 372

ADA

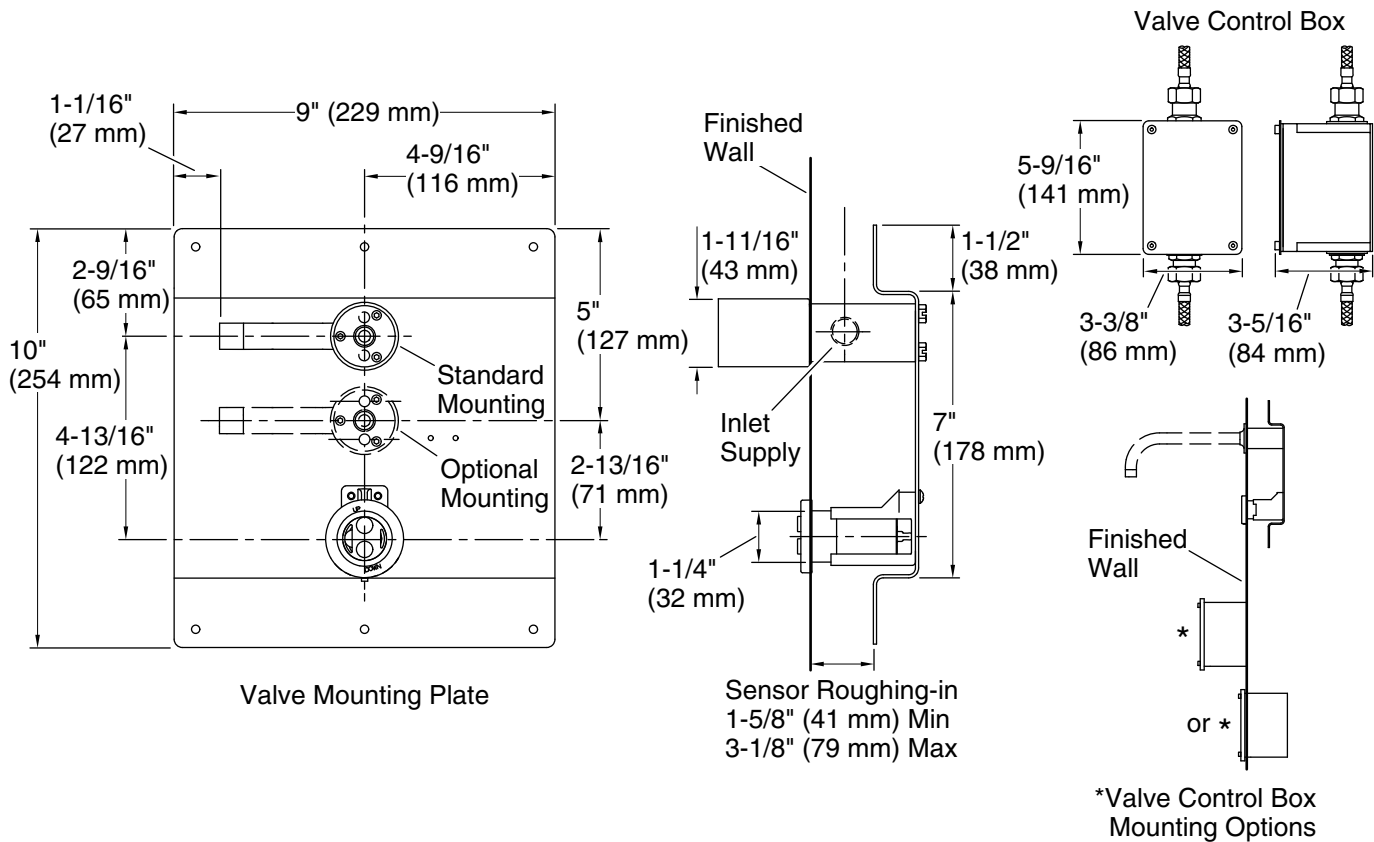
ICC/ANSI A117.1

CSA B651

OBC

KOHLER® One-Year Limited Warranty

See website for detailed warranty information.



Technical Information

All product dimensions are nominal.

Power source: Hardwire - AC, not included

Faucet flow rate: 0.5 gal/min (1.9 l/min)

Spout:

Notes

Install this product according to the installation instructions.

Reference the installation instructions for specific framing information.

Requires an AC power supply (not included).

For use with faucet trim: K-T11837, K-T11839, K-T11840, and K-T11841.

Valve control box can be installed in the wall or on the wall.

ADA, OBC, CSA B651 compliant when installed to the specific requirements of these regulations.