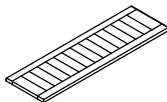
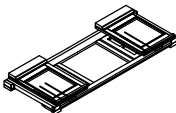
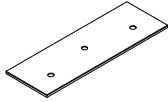
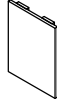
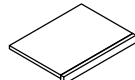
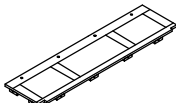
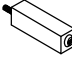

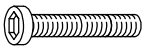



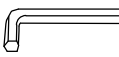
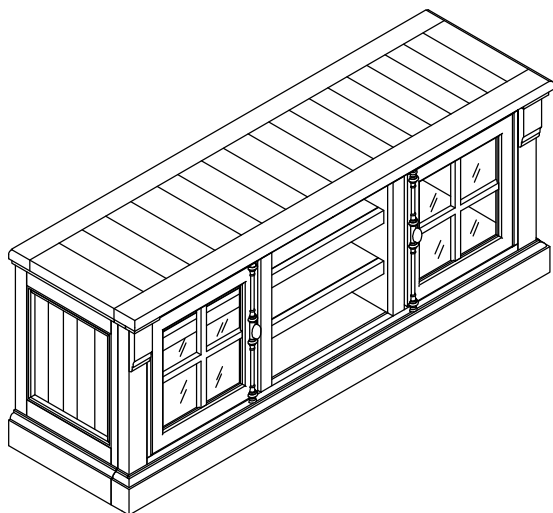


# ASSEMBLY INSTRUCTION

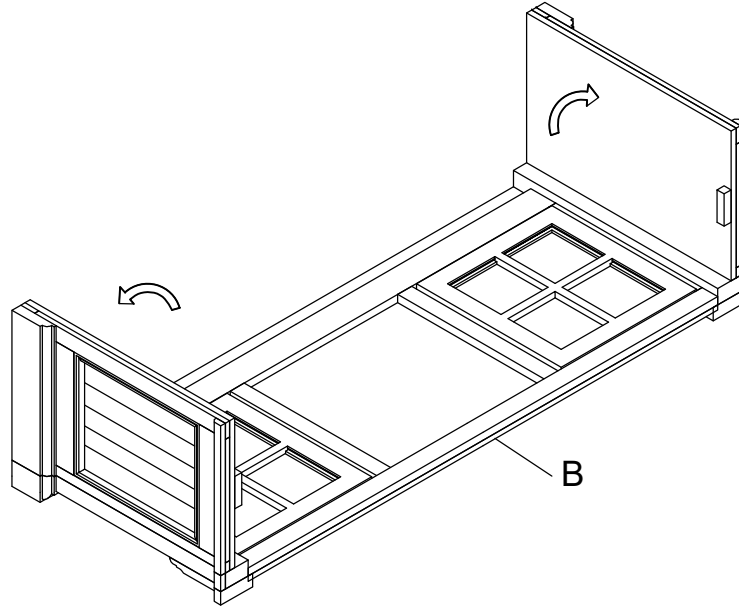
## TV STAND

<b>A</b> Top Panel  1 PC	<b>B</b> Frame  1 PC	<b>C</b> Back Panel  1 PC	<b>D</b> Center Panel  2 PCS
<b>E</b> Shelf  4 PCS	<b>F</b> Bottom Panel  1 PC	<b>G</b> Support Leg  1 PC	<b>H</b> Shelf Support $\varnothing 6.5\text{mm}$  16 PCS
<b>I</b> Allen Bolt $\varnothing 1/4" \times 38\text{mm}$  36 PCS	<b>J</b> Flat Washer $\varnothing 1/4" \times \varnothing 14\text{mm}$  4 PCS	<b>K</b> Flat Washer $\varnothing 1/4" \times \varnothing 19\text{mm}$  32 PCS	<b>L</b> Lock Washer $\varnothing 1/4"$  36 PCS
<b>M</b> Allen Key $\varnothing 4\text{mm} \times 50\text{mm}$  1 PC			

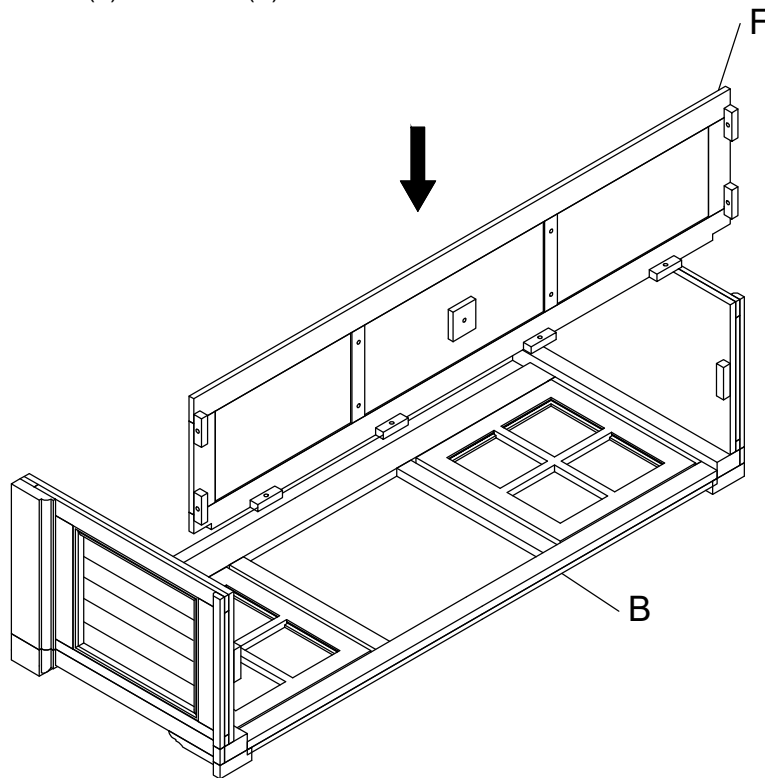


This page lists all the contents included in the box. Please take the time to identify the hardware as well as the individual components to this product. As you unpack and prepare for assembly, place the contents on a carpeted or padded area to protect them from damage.

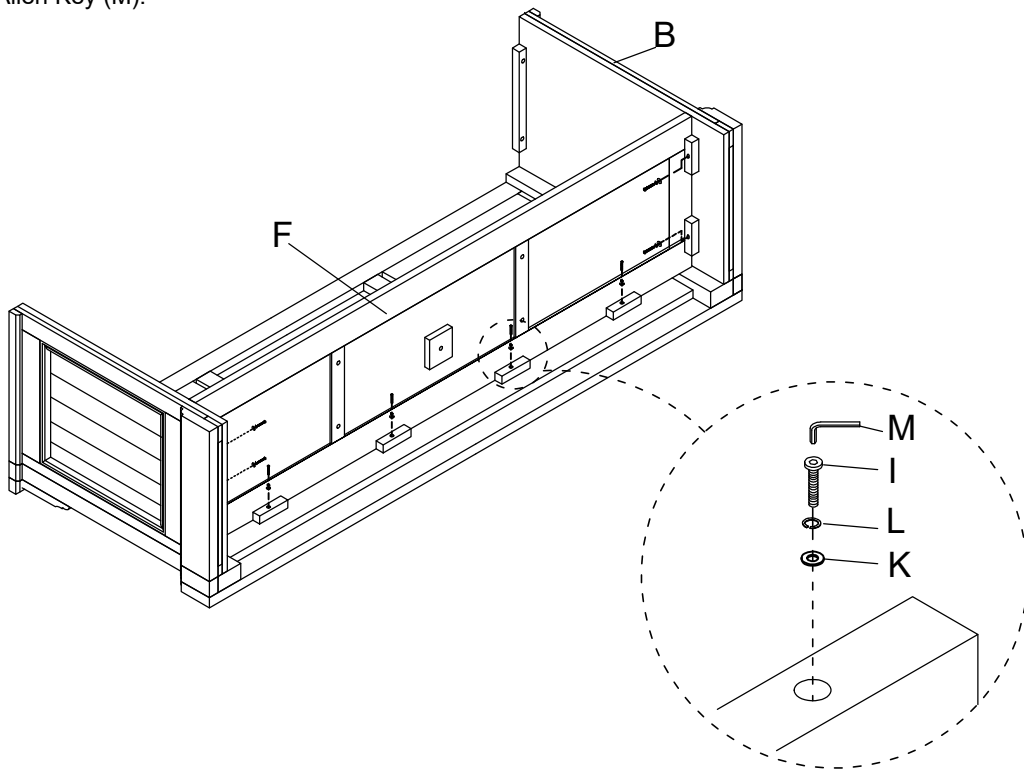
**1** Open 2 sides of Frame (B).



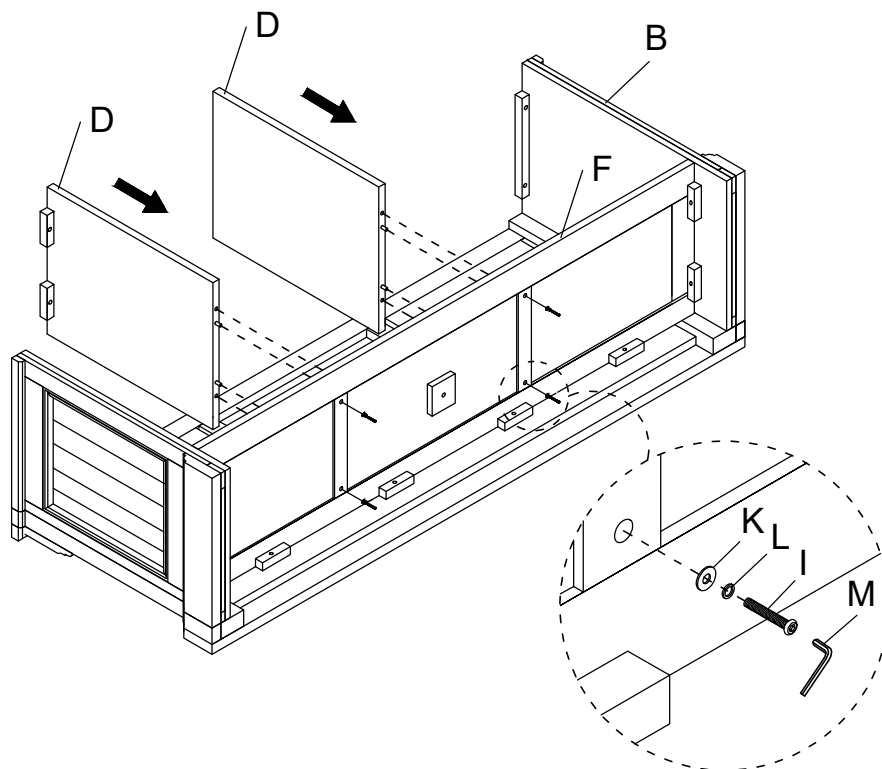
**2** Place Bottom Panel (F) into Frame (B).



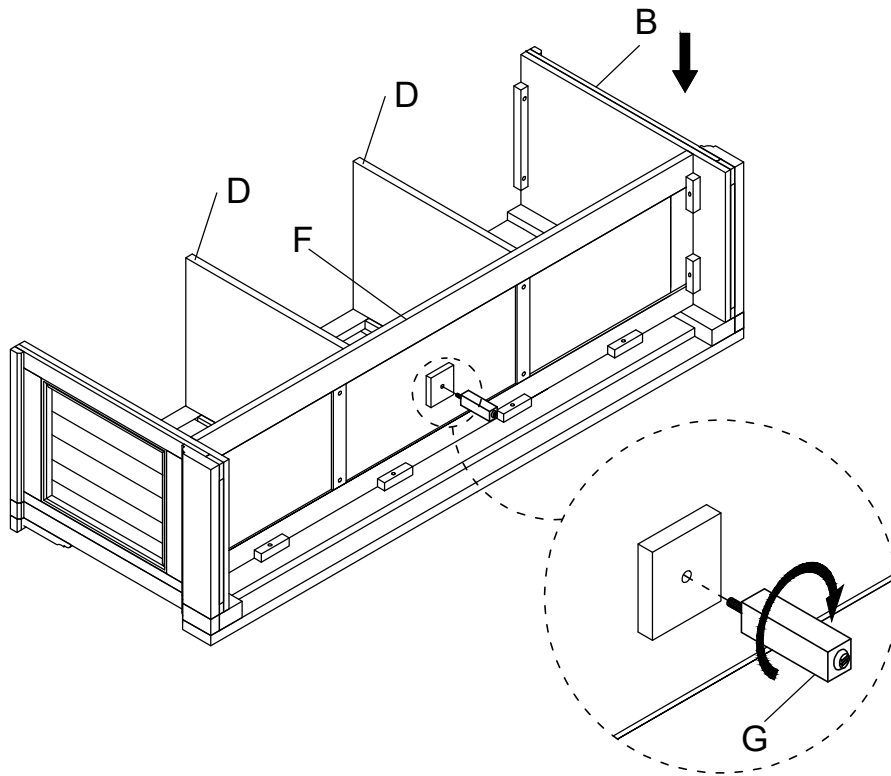
- 3 Attach Bottom Panel (F) to Frame (B) by using Flat Washer (K), Lock Washer (L) and Allen Bolt (I) with Allen Key (M).



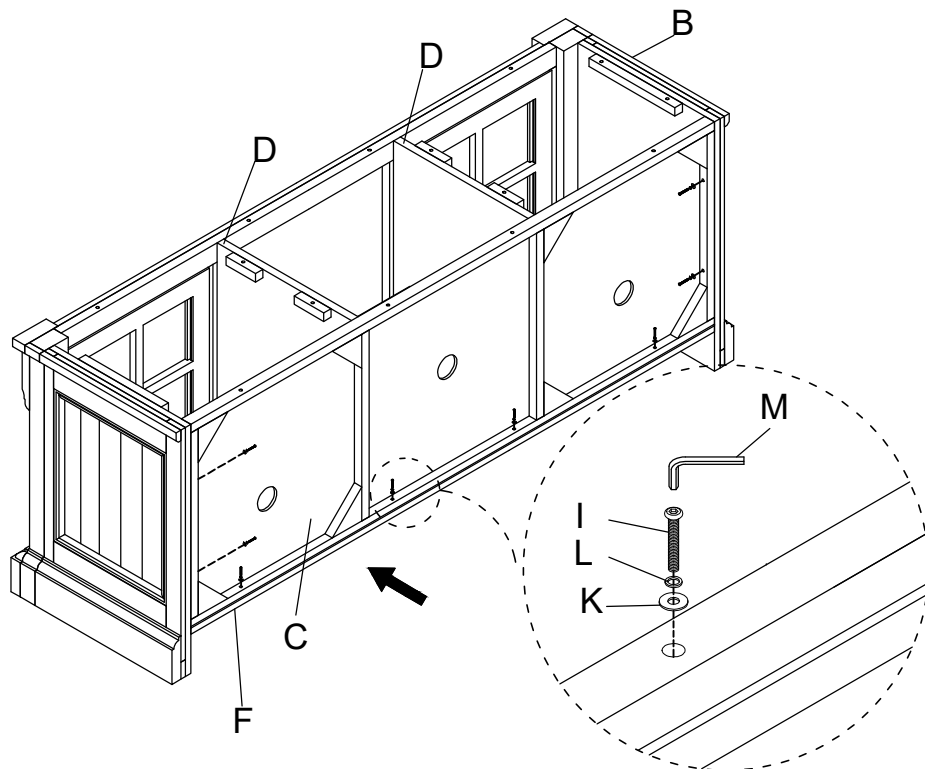
- 4 Attach Center Panel (D) to Bottom Panel (F) by using Flat Washer (K), Lock Washer (L) and Allen Bolt (I) with Allen Key (M).



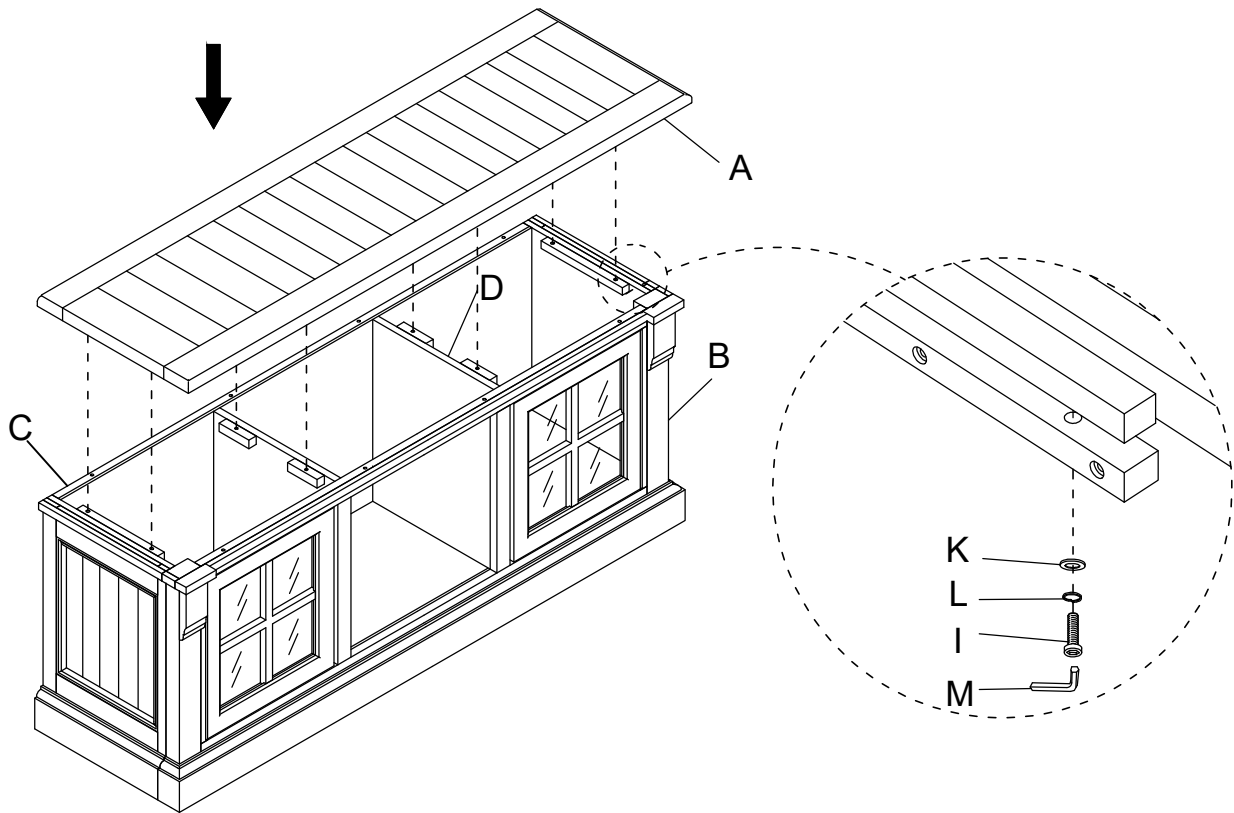
- 5** Attach Support Leg (G) to Bottom Panel (F). Adjust the levelers until they are balanced and touching the floor.



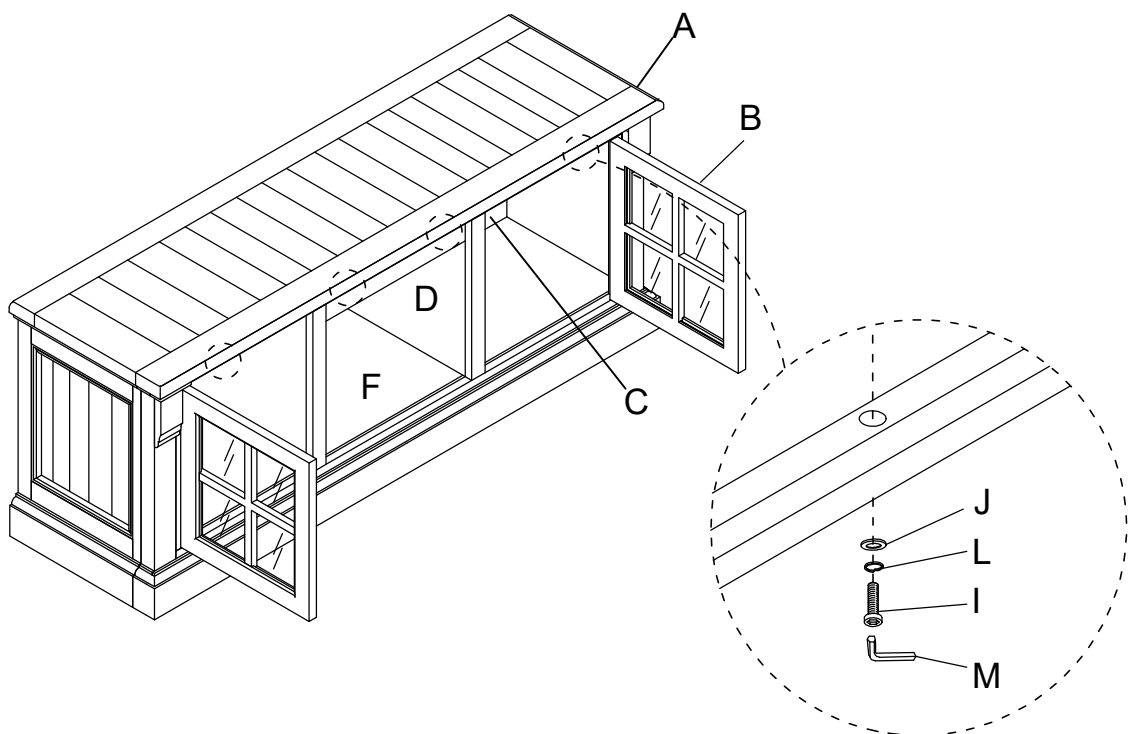
- 6** Stand the TV STAND up, then attach Back Panel (C) to Bottom Panel (F) and Frame (B) by using Flat Washer (K), Lock Washer (L) and Allen Bolt (I) with Allen Key (M).



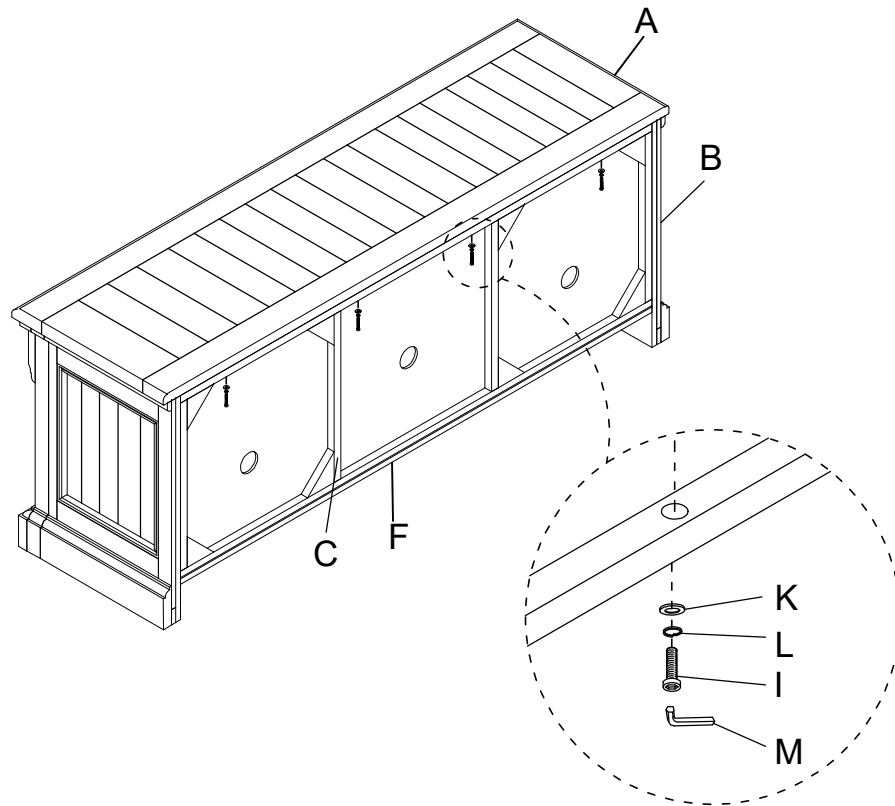
**7** Attach Top Panel (A) to Frame (B) by using Flat Washer (K), Lock Washer (L) and Allen Bolt (I) with Allen Key (M).



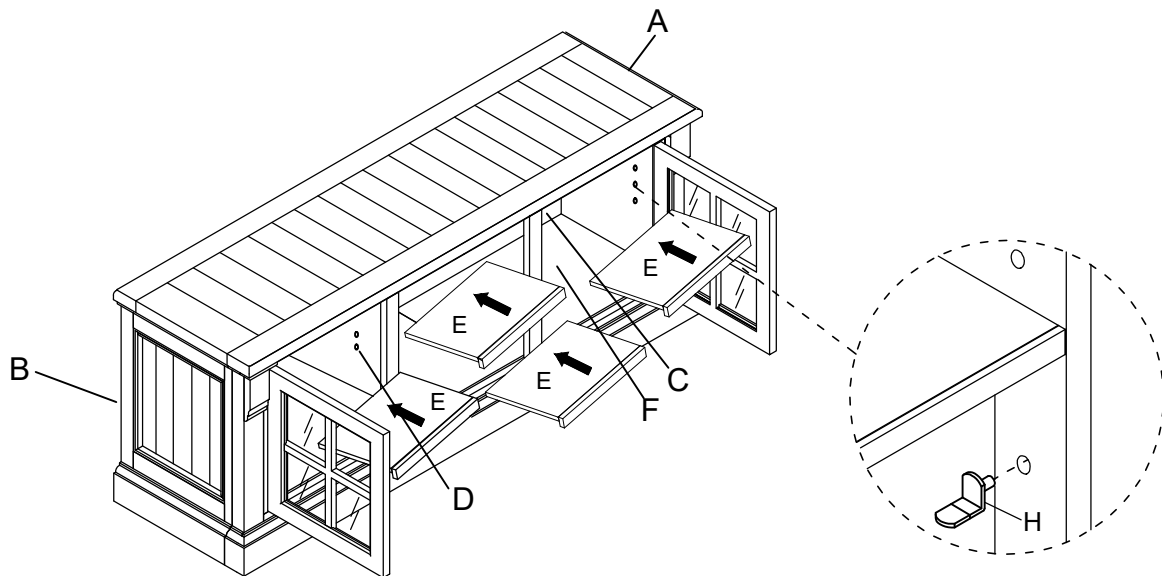
**8** Use Flat Washer (J), Lock Washer (L) and Allen Bolt (I) with Allen Key (M) to attach Top Panel (A) to Frame (B).



- 9 Use Flat Washer (K), Lock Washer (L) and Allen Bolt (I) with Allen Key (M) to attach Top Panel (A) to Frame (B).



- 10 Assemble Shelf Support (H) first, then attach Shelf (E) to inside.



#### Cleaning & Care

Treat surface with care. Surface is resistant to scratches but is not scratch resistant. Clean surfaces with a dry or damp soft cloth. Do not use abrasive cleaners. Hardware may loosen over time. Periodically check that all connections are tight.