



# Assembly & Installation Instructions

**CAUTION:** Read instructions carefully and turn electricity off at main circuit breaker panel before beginning installation.

## 4318, 4319

\*\*\*\*\*

**WARNING -** If any Special Control Devices are used with this Fixture, Follow the Instructions Carefully to assure full compliance with N.E.C. requirements. If there are any questions, contact a Qualified Electrical Contractor.

**WARNING -** This product contains chemicals known to the State of California to cause cancer, birth defects and /or other reproductive harm. Thoroughly wash hands after installing, handling, cleaning, or otherwise touching this product.

**CAUTION -** All glass is fragile, use care when handling Glass component(s) and or Lamp(s).

\*\*\*\*\*

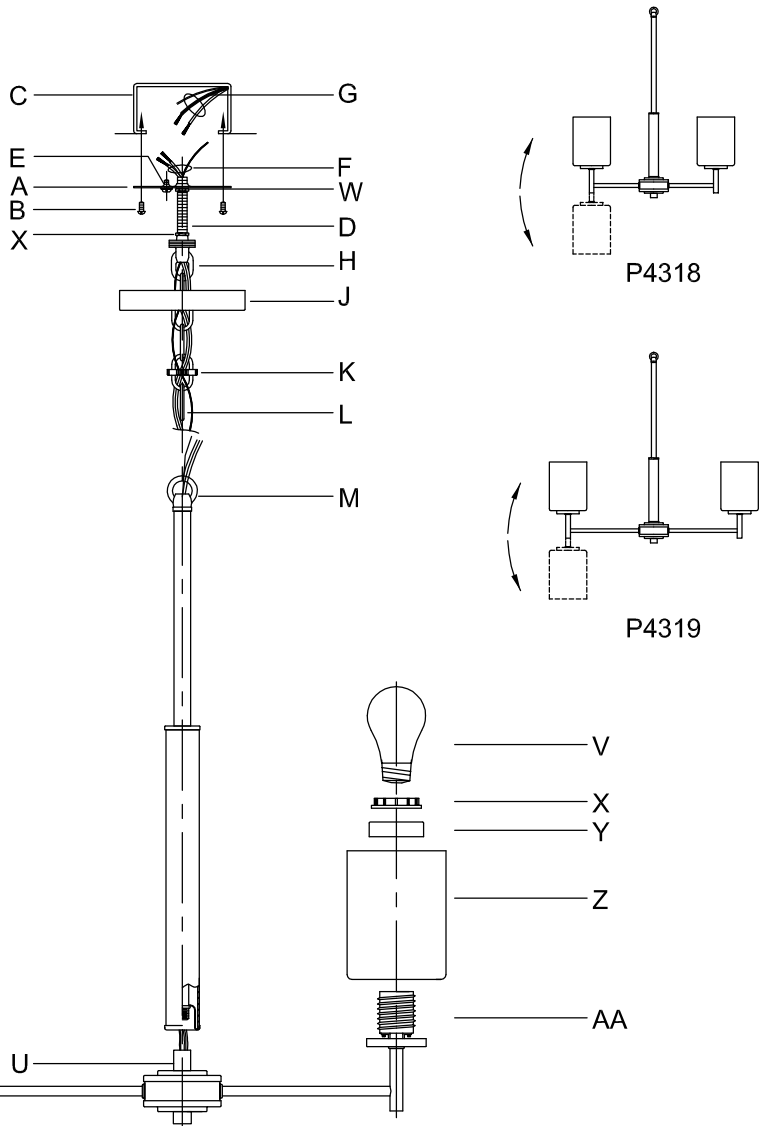
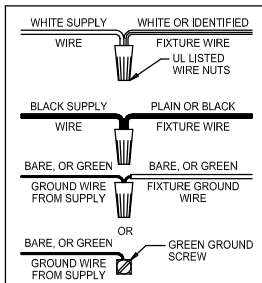
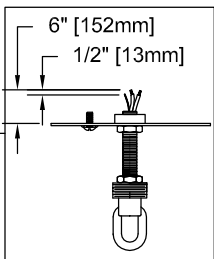
**ASSEMBLY STEPS:**

**PASOS PARA ENSAMBLAR:**

**MODE D'ASSEMBLAGE:**

- 1. D,E → A
- 2. B,A → C
- 3. W,X,H → D
- 4. X → H
- 5. F → T,S,R,Q,P,N,M
- 6. M → U
- 7. L → M
- 8. J,K → L
- 9. L → H
- 10. F → L,K,J,H,D
- 11. F → G
- 12. J,K → H
- 13. Z,Y,X → AA
- 14. V → AA

ADJUST HEIGHT WITH "D"  
 W → A (TO LOCK)  
 AJUSTA LA ALTURA CON "D"  
 W → A (APRETAR)  
 RÉGULEZ LA HAUTEUR AVEC "D"  
 W → A (À VERROUILLER)



**B, C, G & V  
 (NOT FURNISHED)  
 (NO INCLUIDA)  
 (NON FOURNIE)**