
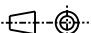
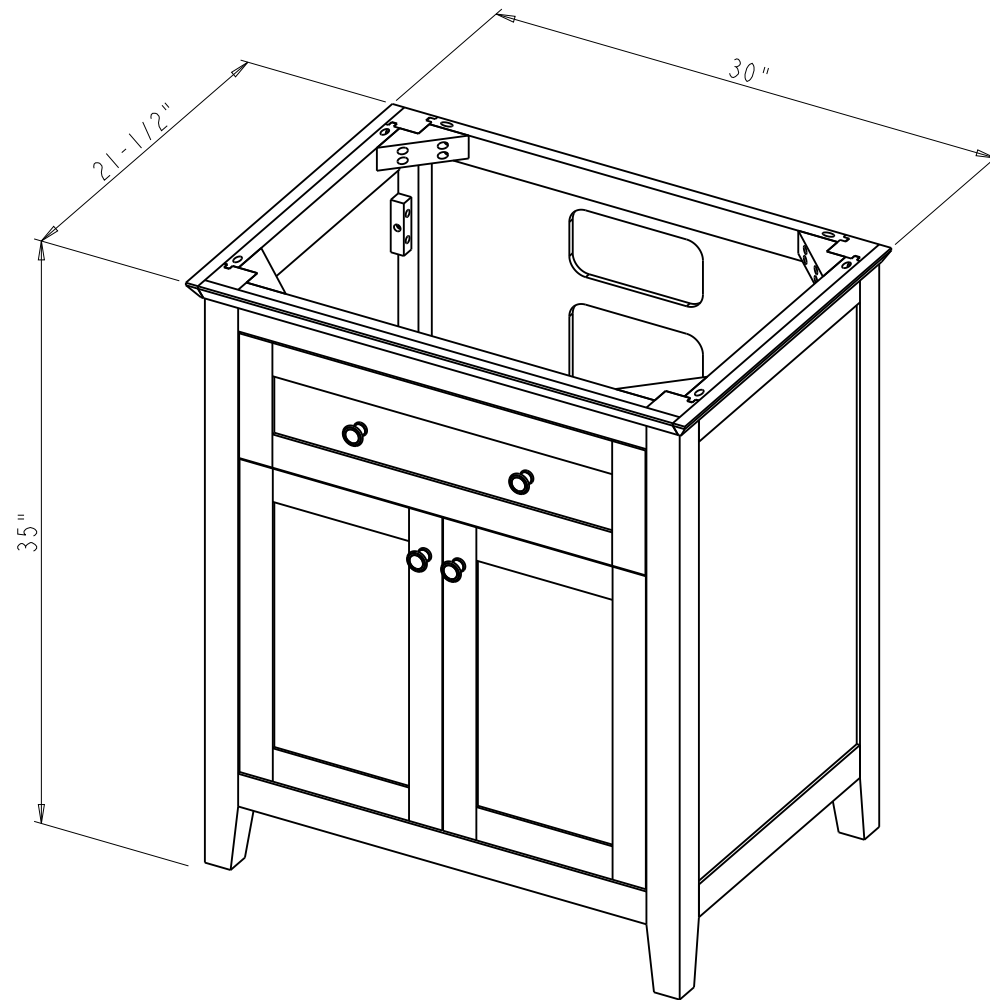



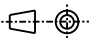
Specification:

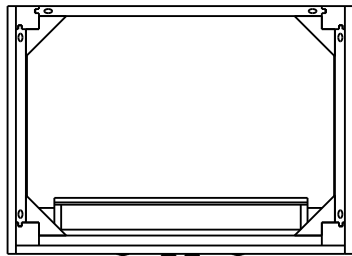
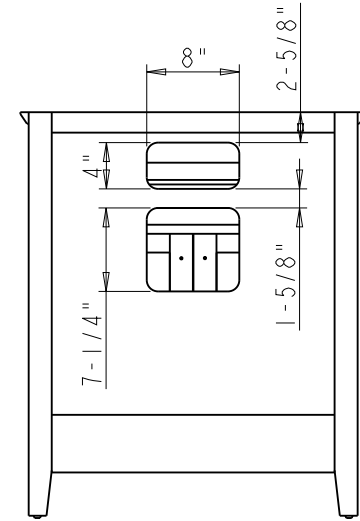
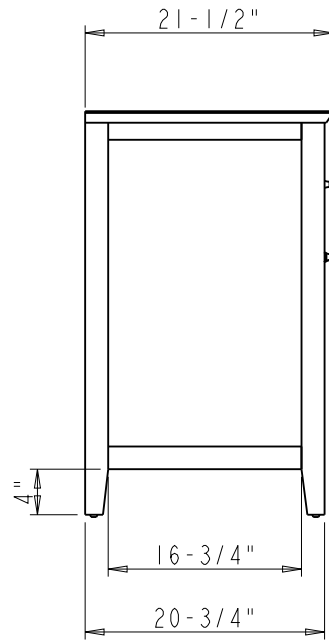
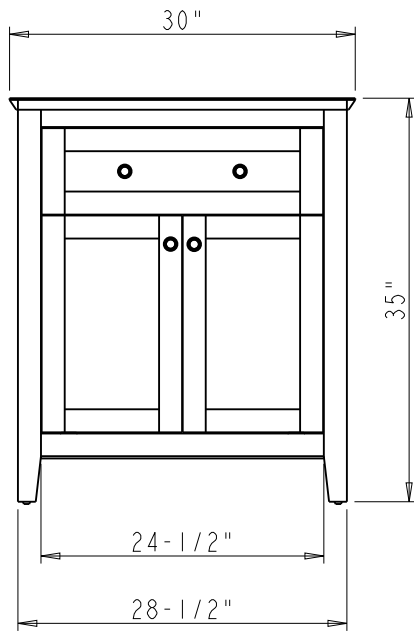
1. Material: Plywood + Birch
2. Finish: See Table
3. Hardware: See Table
4. Slides: USE58-300-18 + USCLIP2ND-4W (1 Sets)
5. Shelf Supports: 1707BN (4 PCS)
6. Drawer Boxes: 5/8" Rubber wood
Clear color
Dovetail
7. Tipout Hinge: 700.0536.25 + 600.1234.05 (2 Sets)
Door Hinge: 700.0537.25 + 600.1234.05 (4 Sets)
8. Lid Stay (1 PC)
9. The tolerance is +/- 1/8"


Item number	Finish	Deco Hardware	
		Item number	Qty
VN2CHA-30-BL-NT	Blue	658SBZ	4
VN2CHA-30-CH-NT	Chocolate	Z110-SN	4
VN2CHA-30-GR-NT	Grey	Z110-SN	4
VN2CHA-30-WH-NT	White	Z110-SN	4
VN2CHA-30-GN-NT	Green	658SBZ	4

 <p>PROPRIETARY AND CONFIDENTIAL</p> <p>THE INFORMATION CONTAINED IN THIS DRAWING IS THE SOLE PROPERTY OF HARDWARE RESOURCES INC. ANY REPRODUCTION IN PART OR AS A WHOLE WITHOUT THE WRITTEN PERMISSION OF HARDWARE RESOURCES INC. IS PROHIBITED.</p> <p>DO NOT SCALE DRAWING</p>	ITEM#: VN2CHA-30	MATERIAL:
	FINISH:	WEIGHT: 0 g
		PROJECTION 
	TOLERANCE UNLESS OTHERWISE SPECIFIED: X ±0.20 X.X ±0.10 X.XX ±0.05 ANGULAR: ±0.5°	UNITS: DRAWN BY: Tony.Huang
	APPROVED BY:	DATE:
	RELEASE LEVEL:	REVISION:



 PROPRIETARY AND CONFIDENTIAL THE INFORMATION CONTAINED IN THIS DRAWING IS THE SOLE PROPERTY OF HARDWARE RESOURCES INC. ANY REPRODUCTION IN PART OR AS A WHOLE WITHOUT THE WRITTEN PERMISSION OF HARDWARE RESOURCES INC. IS PROHIBITED.	ITEM#: VN2CHA - 30		MATERIAL:	
	FINISH:		WEIGHT: 0 g	
	TOLERANCE UNLESS OTHERWISE SPECIFIED: X ±0.20 X.X ±0.10 X.XX ±0.05 ANGULAR: ±0.5° DO NOT SCALE DRAWING		UNITS:	DRAWN BY: <i>Hugo.cai</i>
PROJECTION 		SIZE:	APPROVED BY:	DATE:
		SHEET:	RELEASE LEVEL:	REVISION:



	ITEM#: VN2CHA-30		MATERIAL:		
	FINISH:		WEIGHT: 0 g		
<p>PROPRIETARY AND CONFIDENTIAL</p> <p>THE INFORMATION CONTAINED IN THIS DRAWING IS THE SOLE PROPERTY OF HARDWARE RESOURCES INC. ANY REPRODUCTION IN PART OR AS A WHOLE WITHOUT THE WRITTEN PERMISSION OF HARDWARE RESOURCES INC. IS PROHIBITED.</p>	UNITS:		DRAWN BY: <i>Hugo.cai</i>		
	TOLERANCE UNLESS OTHERWISE SPECIFIED: X ±0.20 X.X ±0.10 X.XX ±0.05 ANGULAR: ±0.5°		DATE: Mar-12-20		
	DO NOT SCALE DRAWING		APPROVED BY:		
	SHEET:		RELEASE LEVEL:		
		DATE:		REVISION:	